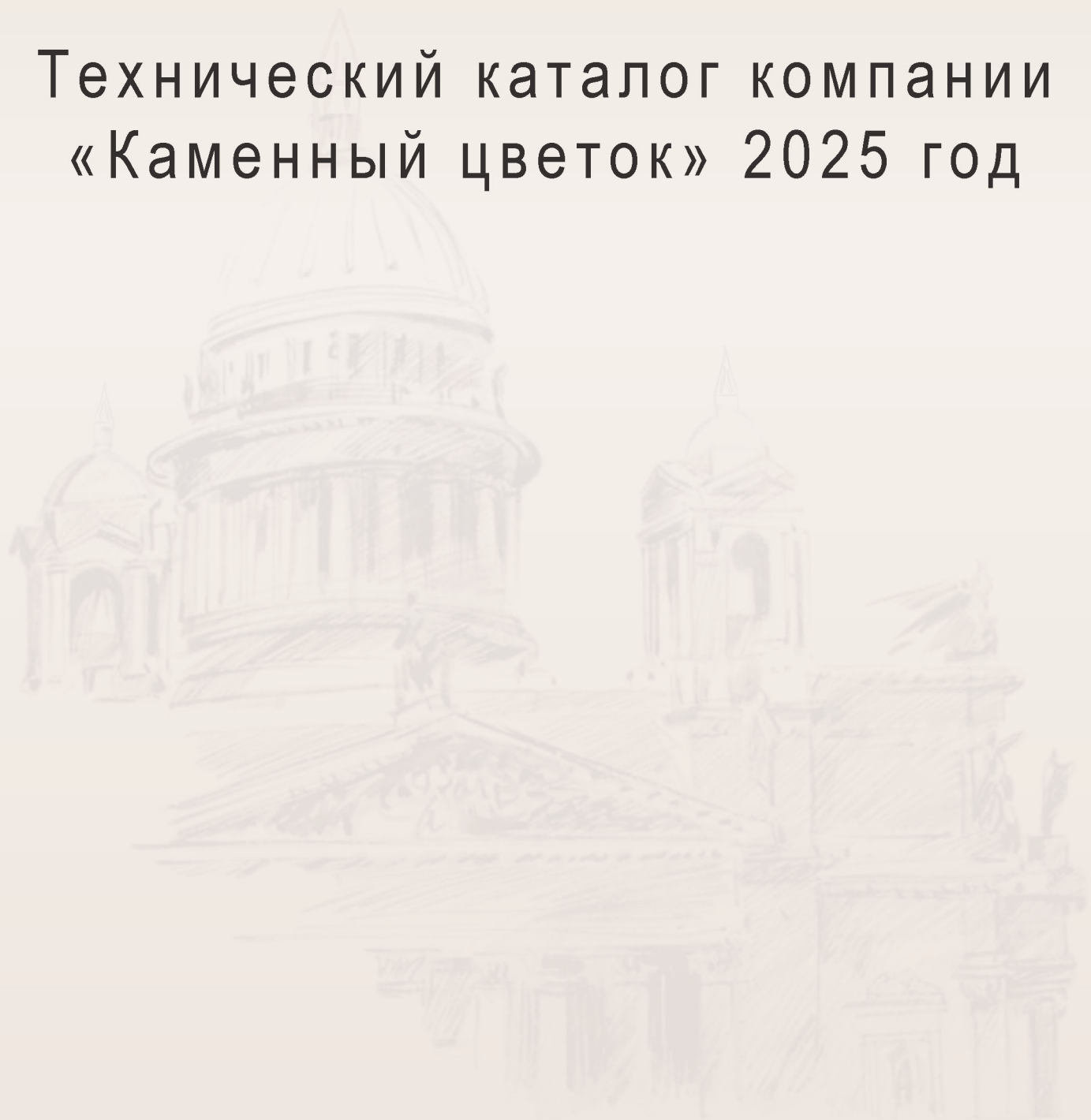


# Технический каталог компании «Каменный цветок» 2025 год



## Gesimse

FA30B .....	3-14	FK16C .....	3-8	FK30FG .....	3-14
FA34B .....	3-14	FK16GK .....	3-8	FK30K .....	3-14
FA46A .....	3-20	FK16TG .....	3-2	FK30PK .....	3-14
FG48F .....	3-19	FK17AN .....	3-8	FK30PK .....	3-14
FG61F .....	3-18	FK17AW .....	3-8	FK30VB .....	3-14
FG71F .....	3-18	FK17AZ .....	3-8	FK31F .....	3-14
FK10CD .....	3-2	FK17PP .....	3-9	FK32H .....	3-14
FK10DE .....	3-4	FK18AS .....	3-9	FK32XM .....	3-17
FK10L .....	3-1	FK18GK .....	3-9	FK33A .....	3-15
FK10LA .....	3-2	FK18KP .....	3-9	FK33F .....	3-15
FK10P .....	3-1	FK18KP-1 .....	3-9	FK33GM .....	3-15
FK10Z .....	3-1	FK18MG .....	3-9	FK33X .....	3-15
FK11ST .....	3-17	FK18MN .....	3-9	FK34G .....	3-15
FK11VH .....	3-2	FK18N .....	3-6	FK34GS .....	3-15
FK12A .....	3-2	FK19D .....	3-9	FK34NA .....	3-15
FK12C .....	3-2	FK19F .....	3-4	FK34NS .....	3-15
FK12KG .....	3-4	FK19KJ .....	3-9	FK34TA .....	3-15
FK12KN .....	3-4	FK19KP .....	3-9	FK35B .....	3-15
FK12P .....	3-2	FK19KP-1 .....	3-9	FK35C .....	3-16
FK12W .....	3-2	FK20AB .....	3-9	FK35G .....	3-16
FK13AQ .....	3-3	FK20DZ .....	3-4	FK35KP .....	3-16
FK13B .....	3-3	FK20P .....	3-10	FK35OT .....	3-17
FK13DZ .....	3-4	FK20VB .....	3-10	FK36NA .....	3-13
FK13GF .....	3-3	FK21BS .....	3-10	FK38SA .....	3-16
FK13PG .....	3-4	FK21L .....	3-10	FK39M .....	3-16
FK13T .....	3-3	FK21P .....	3-10	FK42GF .....	3-16
FK14B .....	3-4	FK21PP .....	3-10	FK43FT .....	3-16
FK14C .....	3-4	FK21XM .....	3-11	FK43I .....	3-16
FK14D .....	3-4	FK22AG .....	3-11	FK44M .....	3-17
FK14DE .....	3-4	FK22BG .....	3-11	FK45O .....	3-17
FK14FS .....	3-5	FK22K .....	3-11	FK46S .....	3-18
FK14GS .....	3-5	FK22KP .....	3-11	FK48AA .....	3-20
FK14KL .....	3-4	FK22S .....	3-11	FK48NA .....	3-21
FK14N .....	3-6	FK24M .....	3-11	FK49A .....	3-17
FK14P .....	3-6	FK24P .....	3-11	FK51J .....	3-21
FK14PP .....	3-6	FK24TP .....	3-11	FK55NA .....	3-21
FK14PT .....	3-5	FK24V .....	3-19	FK55T .....	3-21
FK14PT-M .....	3-5	FK24VP .....	3-12	FK56H .....	3-22
FK14S .....	3-5	FK25DT .....	3-4	FK56N .....	3-22
FK14T .....	3-5	FK25G .....	3-12	FK58SF .....	3-21
FK14YU .....	3-5	FK26G .....	3-12	FK5U .....	3-1
FK15A .....	3-2	FK26V .....	3-19	FK60A .....	3-18
FK15AD .....	3-6	FK26XM .....	3-17	FK61F .....	3-18
FK15AD-X .....	3-6	FK27B .....	3-12	FK65PT .....	3-21
FK15B .....	3-7	FK27T .....	3-12	FK67R .....	3-20
FK15DE .....	3-4	FK27XM .....	3-12	FK68DT .....	3-4
FK15DZ .....	3-4	FK28AC .....	3-12	FK6M .....	3-1
FK15E .....	3-6	FK28AG .....	3-13	FK7Q .....	3-1
FK15F .....	3-7	FK28KP .....	3-13	FK82M .....	3-22
FK15FG .....	3-8	FK28MG .....	3-13	FK85I .....	3-22
FK15FP .....	3-7	FK28N .....	3-12	FK8G .....	3-1
FK15GT .....	3-7	FK28T .....	3-13	FK8P .....	3-1
FK15M .....	3-7	FK29F .....	3-13	FK8Z .....	3-4
FK15MM .....	3-7	FK29M .....	3-13	FK9S .....	3-1
FK15NM .....	3-8	FK29MG .....	3-13	FK9V .....	3-1
FK15P .....	3-8	FK29N .....	3-13	FM20F .....	3-10
FK15S .....	3-7	FK29NA .....	3-13	OK25C .....	3-12
FK15SA .....	3-8	FK29P .....	3-10	OP34F .....	3-14
FK15T .....	3-7	FK29VT .....	3-14		
FK15TN .....	3-7	FK30D .....	3-14		

**НАЛИЧНИКИ**

ON10P .....	4-1	ON16ND .....	4-2	ON20V .....	4-3
ON12G .....	4-1	ON16NDM .....	4-2	ON21-25B .....	4-4
ON12KE .....	4-1	ON18C .....	4-2	ON21B .....	4-4
ON12KF .....	4-1	ON18CM .....	4-3	ON23G .....	4-5
ON12O .....	4-1	ON18K .....	4-3	ON25B .....	4-4
ON12W .....	4-1	ON18KG .....	4-3	ON26F .....	4-5
ON13-20A .....	4-1	ON18LO .....	4-3	ON27A .....	4-1
ON13-20AR .....	4-4	ON18R .....	4-3	ON27VZ .....	4-5
ON13A .....	4-1	ON18SA .....	4-2	ON29G .....	4-5
ON14E .....	4-1	ON18U .....	4-3	ON32D .....	4-5
ON15B .....	4-2	ON18WB .....	4-3	ON35VP .....	4-5
ON15C .....	4-2	ON20-27A .....	4-1	ON40A .....	4-1
ON15GO .....	4-2	ON20A .....	4-1	ON45SA .....	4-2
ON15KA .....	4-2	ON20D .....	4-5	ON8L .....	4-1
ON15SA .....	4-2	ON20G .....	4-3		

**ПОДОКОННИКИ**

OP16F .....	5-1
OP21G .....	5-1
OP22F .....	5-1
OP25CL .....	5-1
OP27C .....	5-1
OP29C .....	5-1
OP29F .....	5-1
OP36CL .....	5-1
OP36E .....	5-1
OP40C .....	5-1
OP41F .....	5-1
OP48C .....	5-1
OP50C .....	5-1
OP51CL .....	5-1
OP56C .....	5-1
OP6A .....	5-1

**ОТКОСЫ**

OO115X50 .....	6-2	OO250X50 .....	6-2
OO120X80F .....	6-1	OO250X55 .....	6-2
OO130X45 .....	6-2	OO250X60 .....	6-2
OO130X50 .....	6-2	OO250X60A .....	6-1
OO140X50 .....	6-2	OO250X70 .....	6-2
OO150X45 .....	6-2	OO260X60A .....	6-1
OO150X50 .....	6-2	OO270X69P .....	6-1
OO160X50 .....	6-2	OO274X60U .....	6-1
OO170X40S .....	6-1	OO280X60 .....	6-2
OO180X50 .....	6-2	OO295X60 .....	6-2
OO180X60G .....	6-1	OO295X60A .....	6-1
OO190X50 .....	6-2	OO350X50 .....	6-2
OO200X45 .....	6-2	OO350X70 .....	6-2
OO200X60A .....	6-1	OO370X50 .....	6-2
OO214X50 .....	6-2	OO390X60 .....	6-2
OO220X50 .....	6-2	OO400X50 .....	6-2
OO220X69 .....	6-2	OO500X60 .....	6-2
OO230X120F .....	6-1	OO580X60 .....	6-2
OO230X60A .....	6-1	OO600X60A .....	6-1
OO235X50 .....	6-2	OO670X60A .....	6-1
OO240X50 .....	6-2	OO80X40 .....	6-2
OO240X60 .....	6-2		

**КАМНИ ЗАМКОВЫЕ**

FZ20M .....	7-1	FZ30L5 .....	7-2	FZ42L .....	7-4
FZ21B .....	7-6	FZ30L9 .....	7-2	FZ43Y .....	7-4
FZ22BZ .....	7-1	FZ30U .....	7-1	FZ45ZZ .....	7-5
FZ22S .....	7-7	FZ30W .....	7-4	FZ46V .....	7-3
FZ27M .....	7-1	FZ31ST .....	7-6	FZ53M .....	7-1
FZ27S .....	7-7	FZ35N .....	7-2	FZ64V .....	7-3
FZ28S .....	7-6	FZ35NM .....	7-2	FZ69L .....	7-5
FZ30B .....	7-1	FZ35S .....	7-6		
FZ30F .....	7-1	FZ38A .....	7-2		

**КАМНИ ЦОКОЛЬНЫЕ**

CK35N .....	9-1	CK35VV .....	9-1
CK35V .....	9-1	CK35VL .....	9-1
CK35NC .....	9-1	CK35VLC .....	9-1
CK35VC .....	9-1	CK35VLV .....	9-1

**КАМНИ РУСТОВЫЕ**

FP30P-320-D ..... 8-1	FR30P-V-520 ..... 8-1	FR37G-360-D ..... 8-1	FR43F-750-D ..... 8-3
FR20P-200-C ..... 8-1	FR35V-440-D ..... 8-1	FR37G-577-D ..... 8-1	FR43F-810-CL ..... 8-3
FR20P-385-C ..... 8-1	FR35V-480-D ..... 8-1	FR37G-57-C ..... 8-1	FR43F-810-CR ..... 8-3
FR20P-400-C ..... 8-1	FR35V-500-CL ..... 8-1	FR38M-710-D ..... 8-2	FR47F-405-CL ..... 8-3
FR27P-230-D ..... 8-1	FR35V-500-CR ..... 8-1	FR38M-760-C ..... 8-2	FR47F-405-CR ..... 8-3
FR27P-370-C ..... 8-1	FR35V-540-CL ..... 8-1	FR41V-350-CL ..... 8-1	FR47F-810CR ..... 8-3
FR30P-245-C ..... 8-1	FR35V-540-CR ..... 8-1	FR41V-350-CR ..... 8-1	FR47F-850-D ..... 8-3
FR30P-320-CS ..... 8-1	FR35V-800-D ..... 8-1	FR41V-350-D ..... 8-1	FR50B-620-D ..... 8-3
FR30P-340-C ..... 8-1	FR35V-860-CL ..... 8-1	FR41V-700-CL ..... 8-1	FR50B-650-V ..... 8-3
FR30P-520-C ..... 8-1	FR35V-860-CR ..... 8-1	FR41V-700-CR ..... 8-1	FR60K ..... 8-3
FR30P-520-CS ..... 8-1	FR36G-C ..... 8-2	FR41V-700-D ..... 8-1	FR70K ..... 8-3
FR30P-V-245 ..... 8-1	FR36G-D ..... 8-2	FR43F-405-CL ..... 8-3	FR80A ..... 8-2
FR30P-V-340 ..... 8-1	FR37G-360-C ..... 8-1	FR43F-405-CR ..... 8-3	FR85A ..... 8-2

**КРОНШТЕЙНЫ**

FT10K ..... 10-2	FT25PT ..... 10-3
FT13C ..... 10-4	FT25T ..... 10-4
FT13K ..... 10-2	FT26M ..... 10-4
FT14B ..... 10-1	FT34B ..... 10-1
FT18A ..... 10-1	FT48B ..... 10-1
FT25PG ..... 10-3	

**ТРИГЛИФЫ**

FG36B ..... 11-1
FG43A ..... 11-1

**ТИМПАНЫ, ФИЛЕНКИ, РОЗЕТКИ**

FD155A ..... 12-2	FF55K-V-800 ..... 12-8	FF82CL ..... 12-4
FD16G ..... 12-2	FF55M-LR-500 ..... 12-8	FF82CV ..... 12-4
FD18S ..... 12-2	FF55M-V-500 ..... 12-8	FK77FS ..... 12-7
FD18WM ..... 12-2	FF57M ..... 12-4	FR50L ..... 12-5
FD52C ..... 12-2	FF60B-C ..... 12-8	OT10B ..... 12-1
FF25R ..... 12-3	FF60B-V-500 ..... 12-8	OT120D ..... 12-1
FF26ZR ..... 12-5	FF62RO ..... 12-3	OT15B ..... 12-1
FF40NP-C ..... 12-6	FF62VR ..... 12-2	OT15BA ..... 12-1
FF40NP-D ..... 12-6	FF68M-LR-500 ..... 12-8	OT15DV ..... 12-1
FF40NP-V-380 ..... 12-6	FF68M-V-500 ..... 12-8	OT224D ..... 12-1
FF40NP-V-500 ..... 12-6	FF70D ..... 12-6	OT270D ..... 12-1
FF43K-V-800 ..... 12-8	FF74C ..... 12-5	OT293D ..... 12-1
FF45T ..... 12-7	FF82B ..... 12-4	OT959DA ..... 12-1
FF53RK ..... 12-3	FF82C ..... 12-4	

**КОЛОННЫ**

K24Q ..... 13-3	K36TL ..... 13-8	K52I ..... 13-15
K25T ..... 13-4	K37T ..... 13-9	K52X ..... 13-16
K26I ..... 13-1	K42T ..... 13-10	K53XI ..... 13-17
K26IL ..... 13-1	K45K ..... 13-11	K54I ..... 13-2
K26T ..... 13-5	K45T ..... 13-11	K54T ..... 13-18
K26TL ..... 13-6	K48T ..... 13-12	K69I ..... 13-19
K35T ..... 13-7	K49T ..... 13-13	
K36T ..... 13-8	K51D ..... 13-14	

**ПИЛЯСТРЫ**

P22T ..... 14-1	P40D ..... 14-5	P49T ..... 14-10
P24I ..... 14-2	P40DT ..... 14-5	P50R ..... 14-9
P24T ..... 14-3	P40T ..... 14-5	P50T ..... 14-7
P30T ..... 14-4	P40TT ..... 14-5	P52T ..... 14-8
P32I ..... 14-2	P44T ..... 14-6	

**БАЛЮСТРАДА**

BB100A ..... 15-3	BB78KL ..... 15-1	BK40NO ..... 15-5	BO37AK ..... 15-6
BB35I ..... 15-1	BB78N ..... 15-2	BK40NP ..... 15-5	BP18W ..... 15-6
BB59D ..... 15-2	BB78NL ..... 15-2	BK40NS ..... 15-5	BP26AK ..... 15-6
BB64AK ..... 15-3	BB78P ..... 15-10	BK67NK ..... 15-5	BP26N ..... 15-9
BB64AK-N ..... 15-3	BB78PL ..... 15-10	BK67NO ..... 15-5	BP27K ..... 15-6
BB66D ..... 15-2	BB78PP ..... 15-10	BK67NP ..... 15-5	BP30G ..... 15-7
BB66DL ..... 15-2	BK18WK ..... 15-4	BK67NS ..... 15-5	BT125V ..... 15-10
BB66I ..... 15-1	BK18WO ..... 15-4	BL19K ..... 15-5	BT66K ..... 15-8
BB66IL ..... 15-1	BK18WP ..... 15-4	BN33GK ..... 15-7	BT71G ..... 15-7
BB66K ..... 15-1	BK18WS ..... 15-4	BN33GP ..... 15-7	BT76K ..... 15-9
BB66KL ..... 15-1	BK35GK ..... 15-7	BN33GS ..... 15-7	BT76N ..... 15-7
BB66N ..... 15-2	BK35GP ..... 15-7	BN34KK ..... 15-8	BT78K ..... 15-8
BB66NQ ..... 15-2	BK35GS ..... 15-7	BN34KO ..... 15-8	BT78K-LR-290 ..... 15-8
BB71A ..... 15-3	BK38KK ..... 15-4	BN34KP ..... 15-8	BT78K-V-290 ..... 15-8
BB78D ..... 15-2	BK38KO ..... 15-4	BN34KS ..... 15-8	FF78BS ..... 15-11
BB78DL ..... 15-2	BK38KP ..... 15-4	BO10K ..... 15-5	FK10BP ..... 15-6
BB78I ..... 15-1	BK38KS ..... 15-4	BO20K ..... 15-5	FK9W ..... 15-6
BB78IL ..... 15-1	BK38KSK ..... 15-4	BO22N ..... 15-9	
BB78K ..... 15-1	BK40NK ..... 15-5	BO30G ..... 15-7	

**НАВЕРШИЯ**

LN25WSB ..... 16-1	LN25BSB ..... 16-1	LN50R ..... 16-2
LN130F ..... 16-3	LN33BSB ..... 16-1	LN66TSB ..... 16-2
LN20S ..... 16-3	LN33LSB ..... 16-1	

**КРЫШКИ НА СТОЛБЫ И КРЫШКИ ПАРАПЕТНЫЕ**

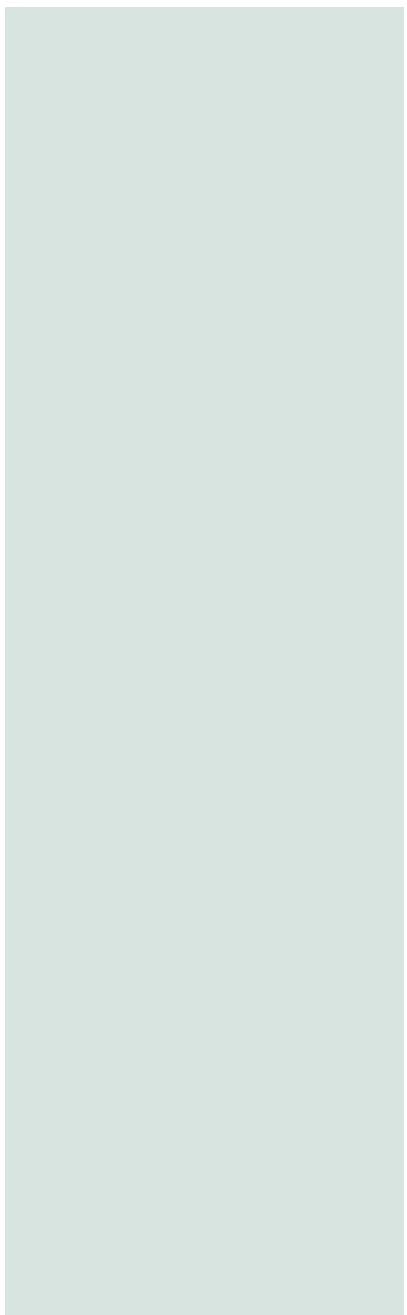
LK36A ..... 17-3	LK63B ..... 17-2	LP42F ..... 17-5
LK37A ..... 17-1	LK64D ..... 17-2	LP44AP ..... 17-5
LK40P ..... 17-3	LP12C ..... 17-4	LP46B ..... 17-4
LK41A ..... 17-1	LP25C ..... 17-4	LP47F ..... 17-4
LK41B ..... 17-1	LP29K ..... 17-4	LP53AS ..... 17-5
LK43A ..... 17-1	LP30B ..... 17-4	LP54A ..... 17-4
LK43B ..... 17-1	LP30C ..... 17-4	LP59A ..... 17-4
LK44F ..... 17-3	LP30D ..... 17-4	LP62A ..... 17-4
LK44PS ..... 17-3	LP36BK ..... 17-4	LP63A ..... 17-4
LK54A ..... 17-3	LP37C ..... 17-4	LP66DS ..... 17-5
LK56U ..... 17-2	LP38CL ..... 17-5	LP74F ..... 17-5
LK58A ..... 17-2	LP38F ..... 17-4	LP81F ..... 17-5
LK63A ..... 17-2	LP40G ..... 17-4	

**ЭЛЕМЕНТЫ ЛАНДШАФТНЫЕ**

BN31LN ..... 18-6	BT97LM ..... 18-6
BN38LB ..... 18-6	BT97LS ..... 18-6
BN38LS ..... 18-6	LK37A ..... 18-6
BN38x12F ..... 18-5	LK38F ..... 18-5
BN38x18F ..... 18-5	LK48B ..... 18-5
BN40LS ..... 18-6	LO130JSB ..... 18-4
BN44K ..... 18-5	LS140P ..... 18-3
BN58U ..... 18-4	LS150R ..... 18-3
BT57F ..... 18-5	LV38S ..... 18-1
BT58U ..... 18-4	LV41G ..... 18-2
BT66F ..... 18-5	LV41P ..... 18-2
BT70F ..... 18-5	LV52B ..... 18-3
BT75K ..... 18-5	LV53N ..... 18-2
BT81LM ..... 18-6	LV69G ..... 18-2
BT81LS ..... 18-6	LV72A ..... 18-1
BT97LB ..... 18-6	LV85M ..... 18-1

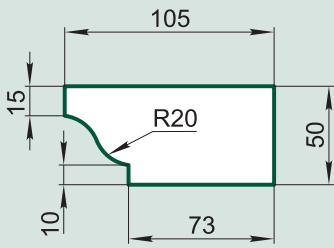
**ФОНТАНЫ**

LF272N ..... 19-1
LF300A ..... 19-3
LF40K ..... 19-4
LF430N ..... 19-2
LF473O ..... 19-5

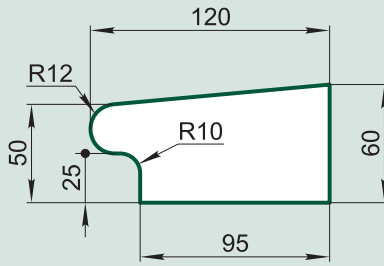


# КАРНИЗЫ НАЛИЧНИКИ

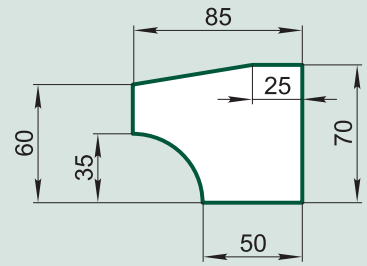
### FK5U



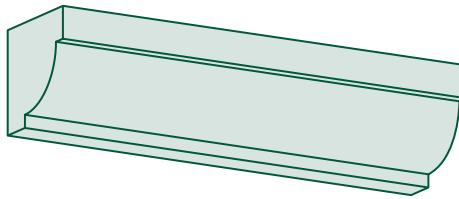
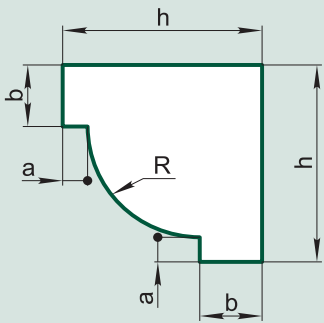
### FK6M



### FK7Q

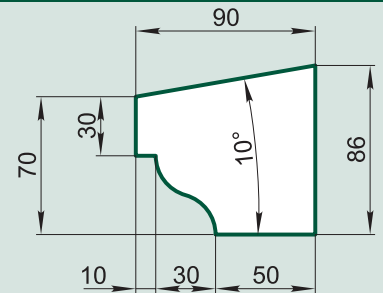


### FK8P, FK10P

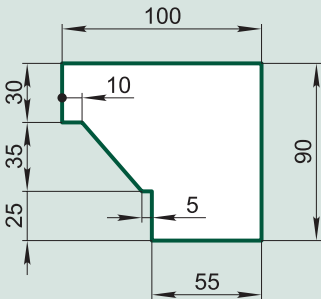


	h	a	b	R	
<b>FK8P</b>	80	10	25	45	11
<b>FK10P</b>	100	20	30	50	15,5

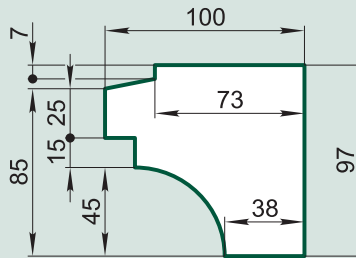
### FK9S



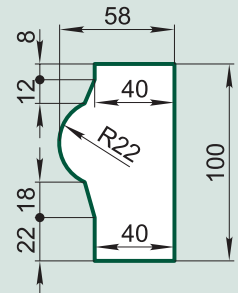
### FK9V



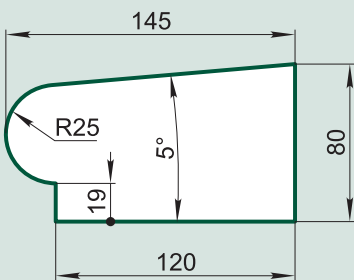
### FK10L



### FK10Z



### FK8G



LP30D

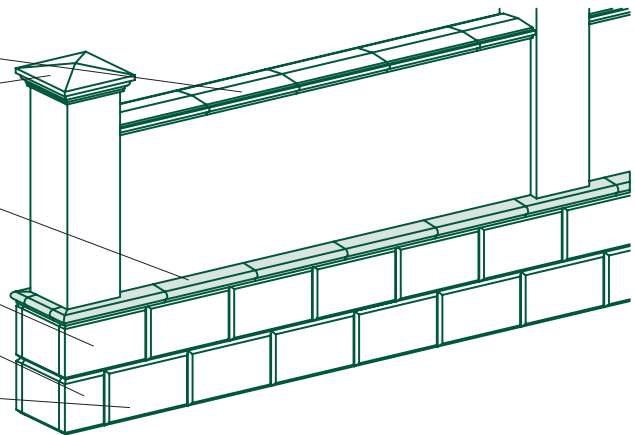
LK41A

FK8G

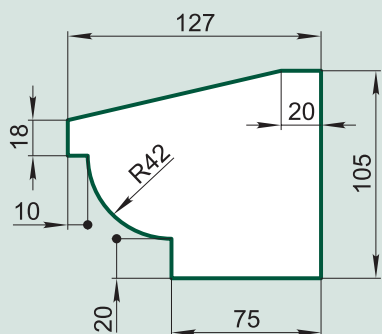
CK35VC

CK35VLC

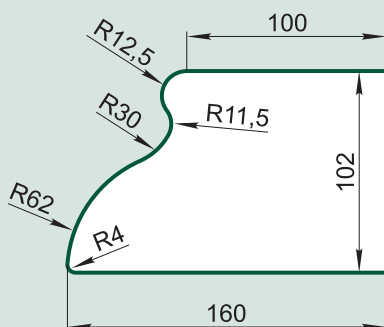
CK35V



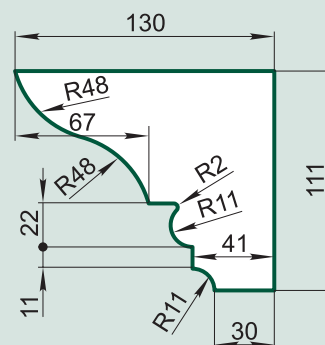
### FK10CD



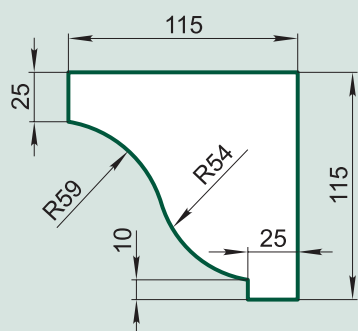
### FK10LA



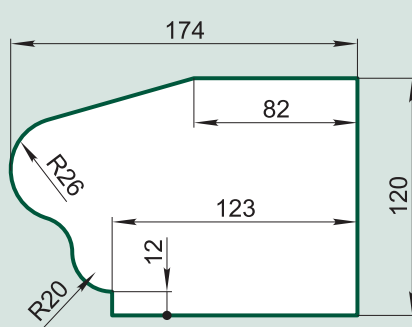
### FK11VH



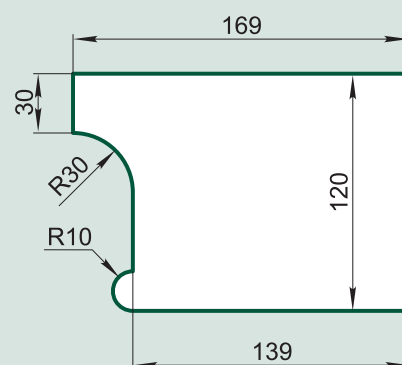
### FK12C



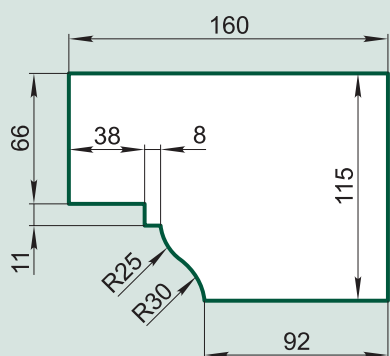
### FK12P



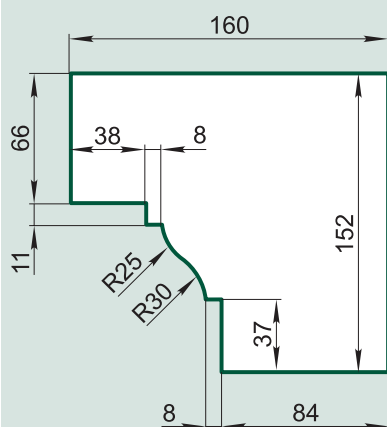
### FK12W



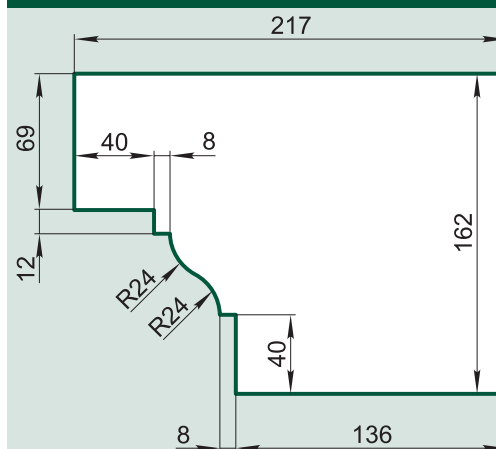
### FK12A



### FK15A

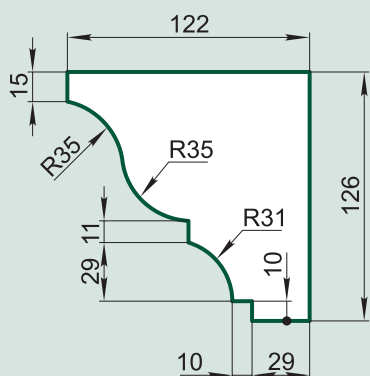


### FK16TG

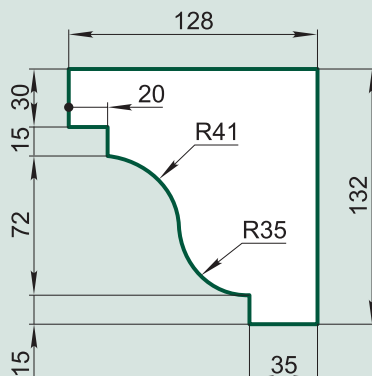




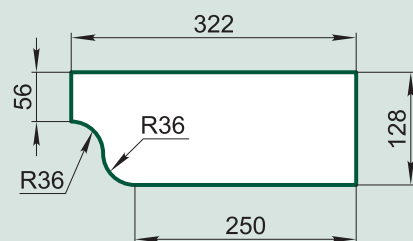
### FK13AQ



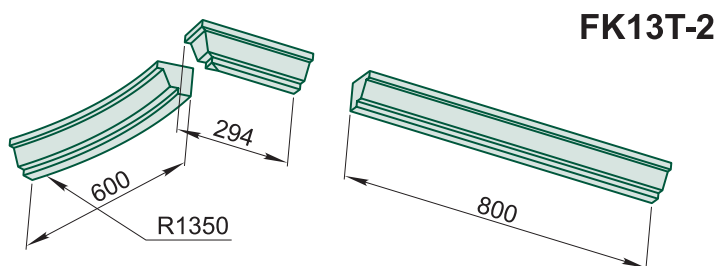
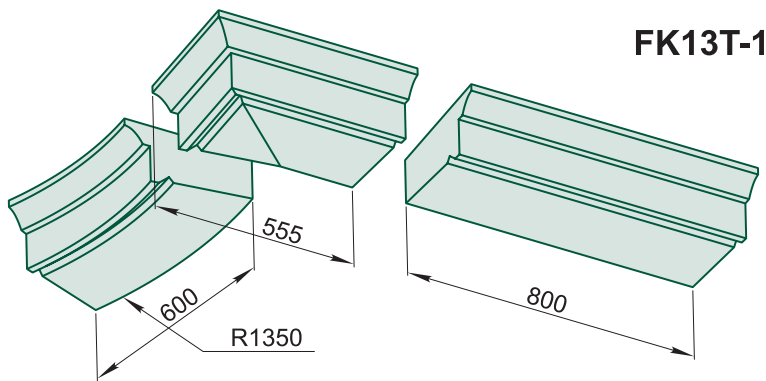
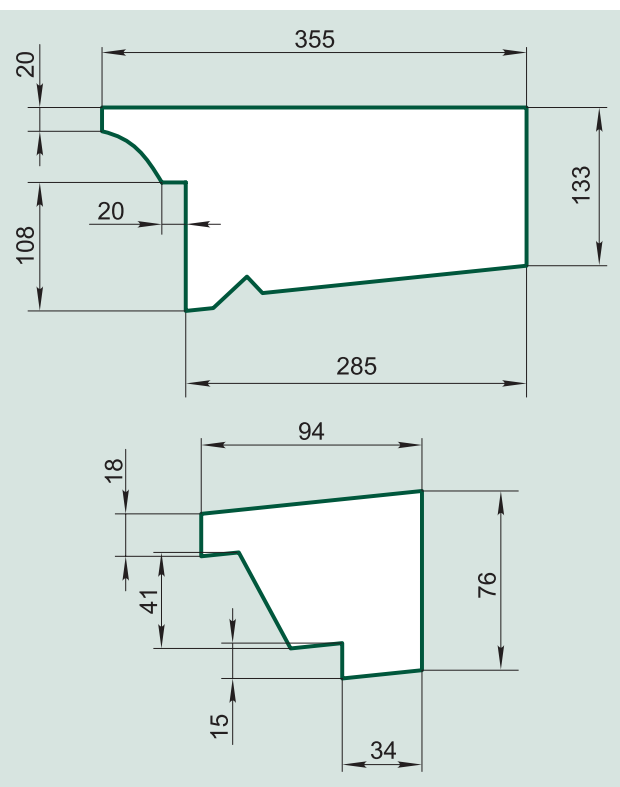
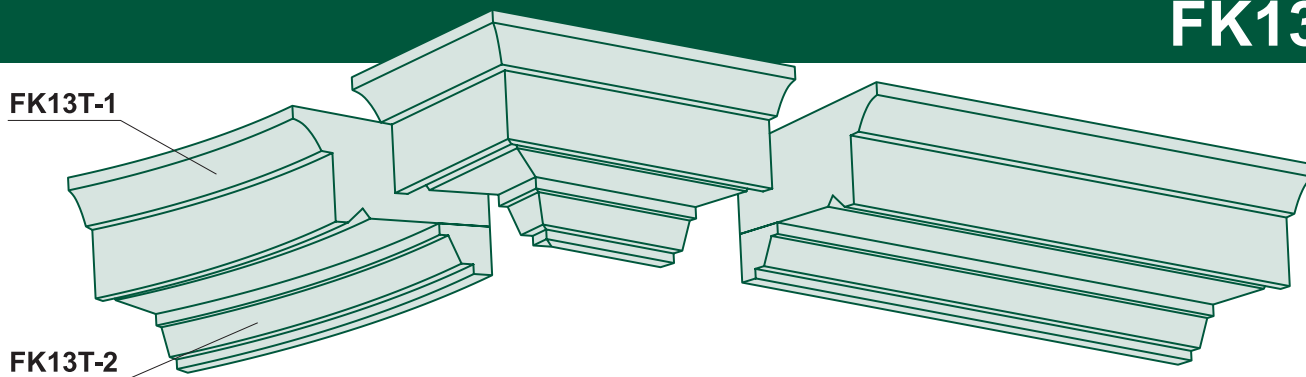
### FK13B

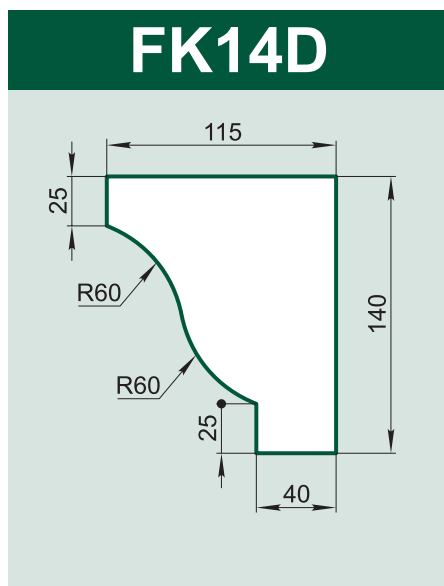
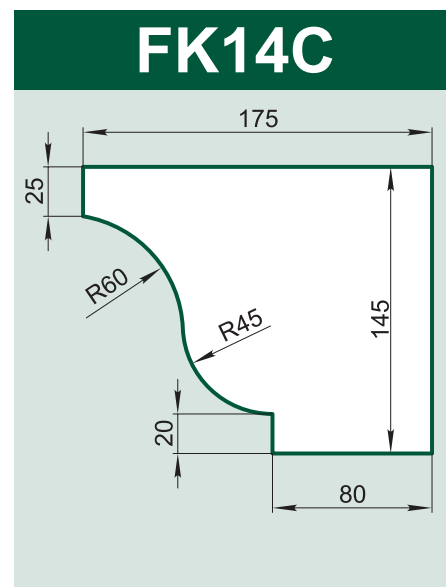
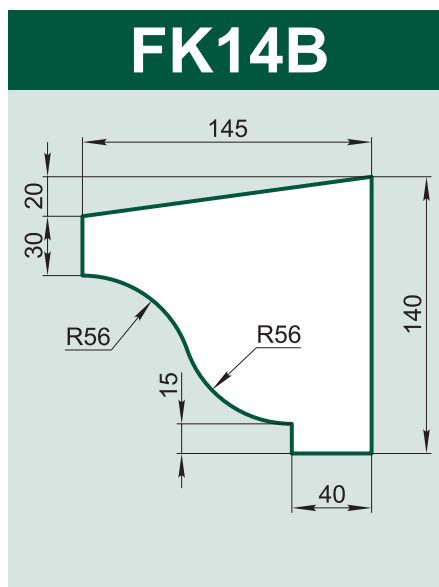
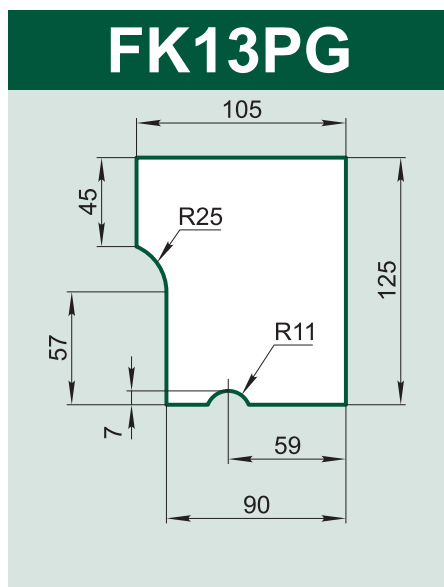


### FK13GF

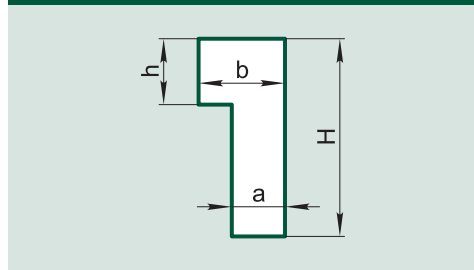


### FK13T

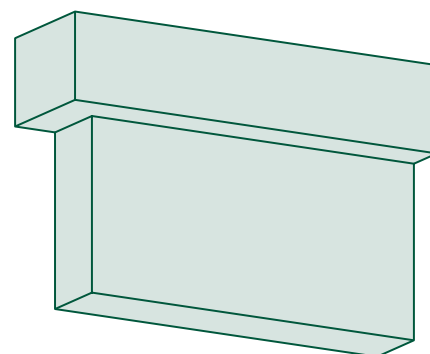




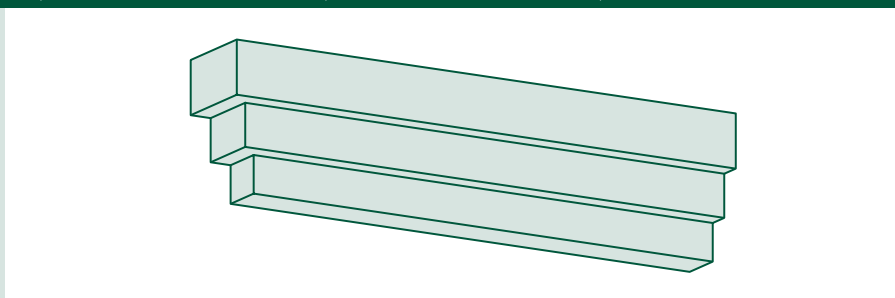
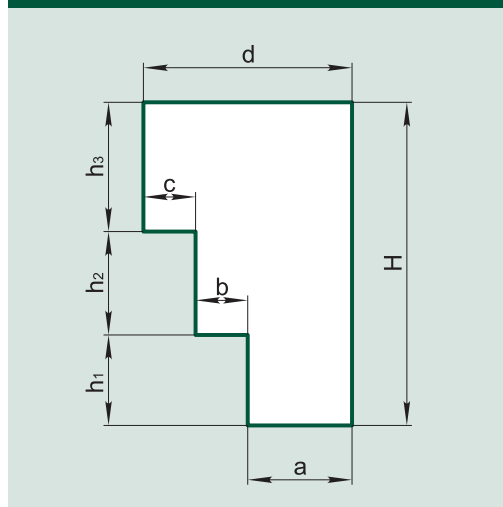
### FKxxDE, FKxxDZ



	H	h	a	b	
<b>FK10DE</b>	100	50	75	90	18,2
<b>FK13DZ</b>	130	50	50	80	17,6
<b>FK14DE</b>	140	50	120	140	39,2
<b>FK15DE</b>	150	50	40	65	16
<b>FK15DZ</b>	150	50	40	57	15,1
<b>FK19F</b>	188	37	50	90	23,9
<b>FK20DZ</b>	200	100	40	80	26,4

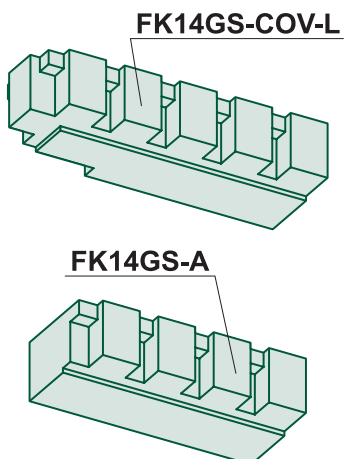
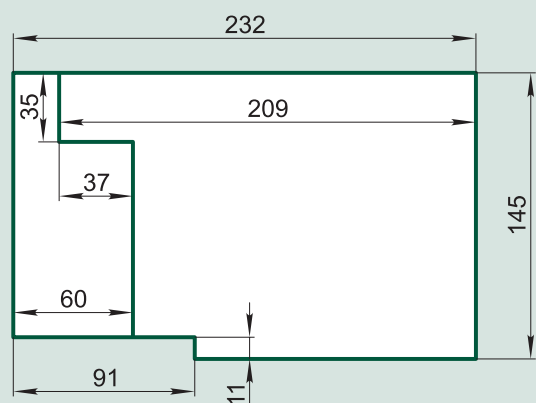


### FK12KN, FK12KG, FK14KL, FK25DT

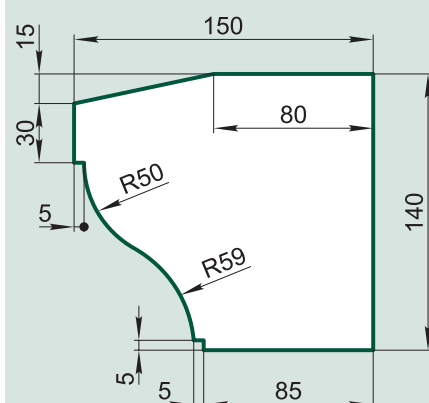


	H	h <sub>1</sub>	h <sub>2</sub>	h <sub>3</sub>	a	b	c	d	
<b>FK8Z</b>	70	25	25	20	35	10	5	50	6,6
<b>FK12KN</b>	125	35	40	50	40	20	20	80	17,2
<b>FK12KG</b>	120	30	30	60	40	20	20	80	17,2
<b>FK14KL</b>	145	35	35	75	30	25	25	80	19,8
<b>FK25DT</b>	250	100	100	50	40	25	25	90	33
<b>FK68DT</b>	675	75	75	525	35	20	20	75	109,7

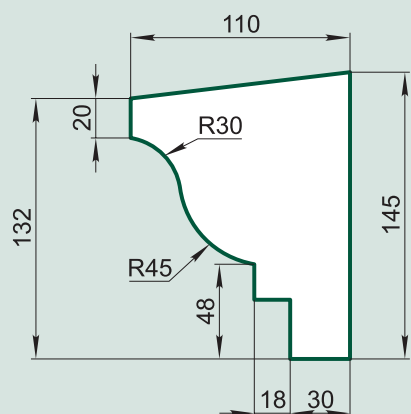
## FK14GS



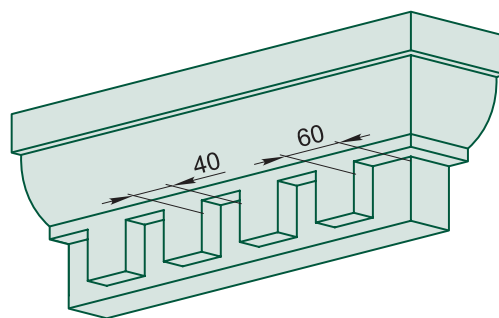
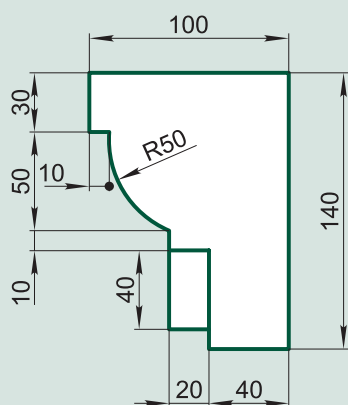
## FK14YU



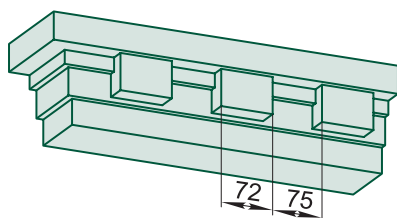
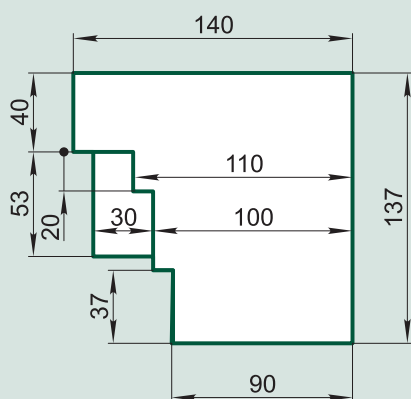
## FK14T



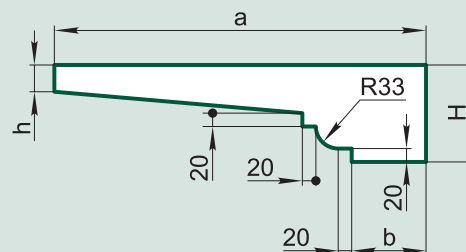
## FK14S



## FK14FS

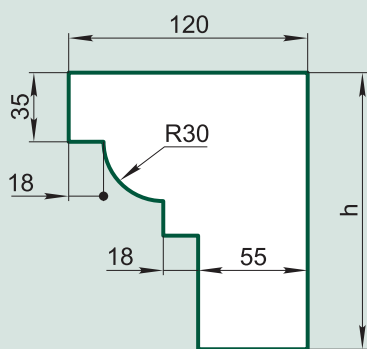


## FK14PT



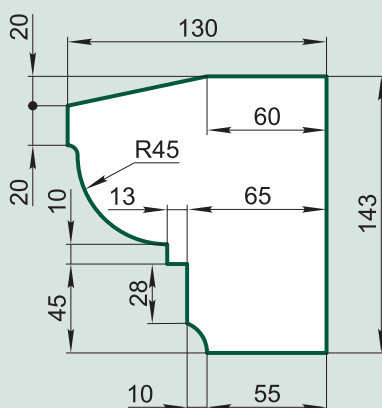
	H	h	a	b	
FK14PT	145	40	550	110	98,4
FK14PT-M	135	39	425	85	71,3

## FK14N,FK18N

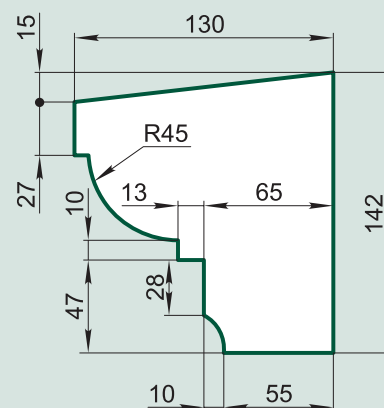


	h	
FK14N	140	25,3
FK18N	180	30,2

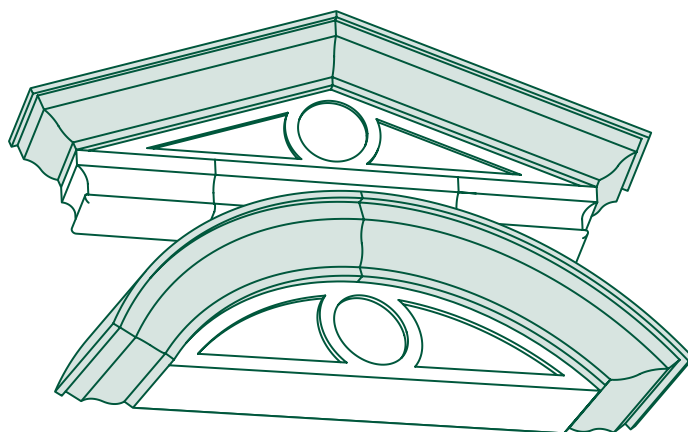
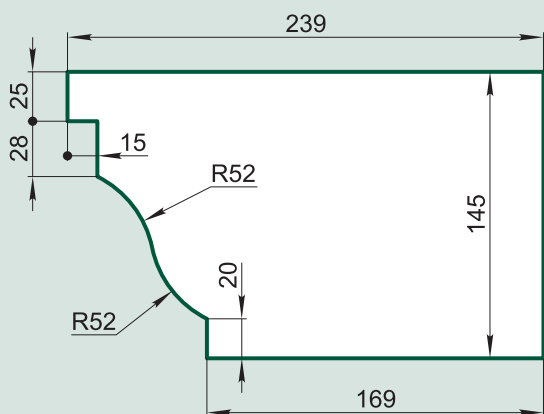
## FK14P



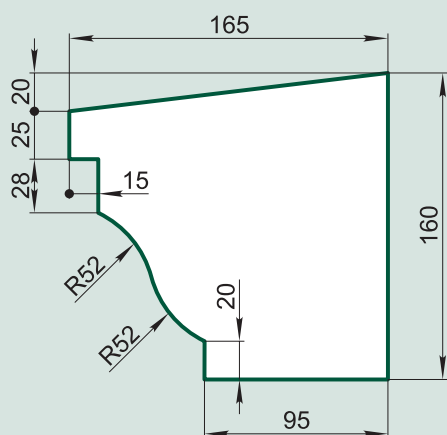
## FK14PP



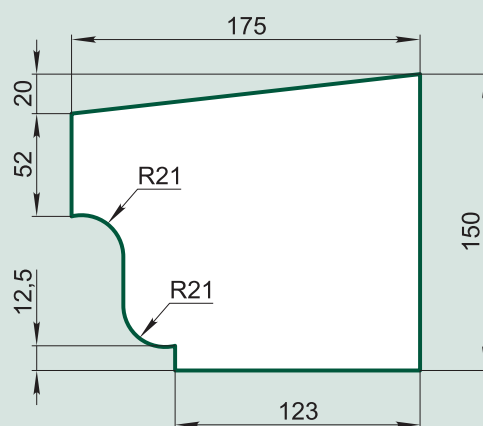
## FK15AD



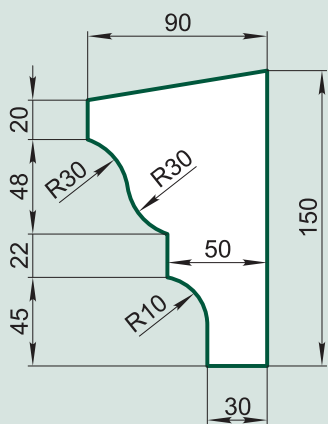
## FK15AD-X



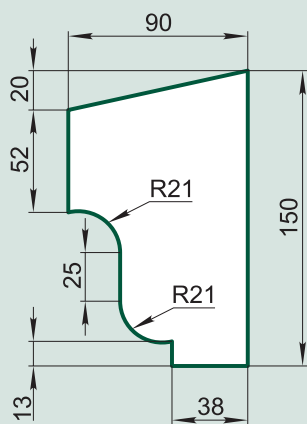
## FK15E



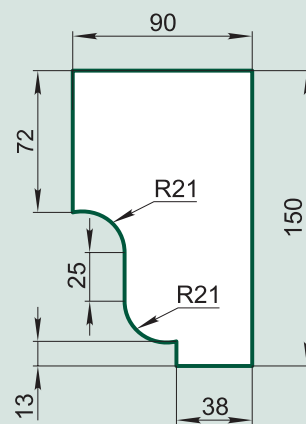
### FK15B



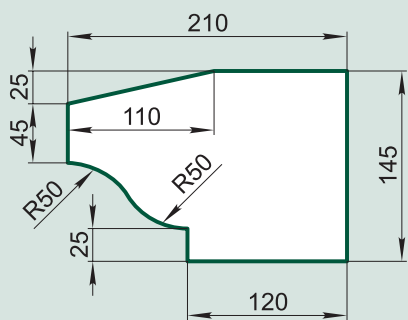
### FK15F



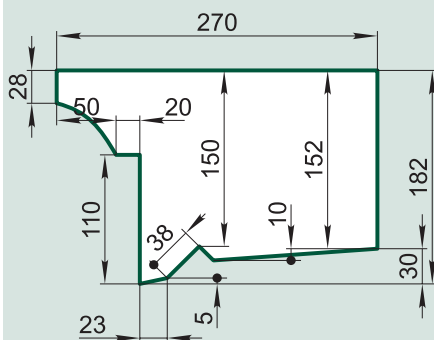
### FK15FP



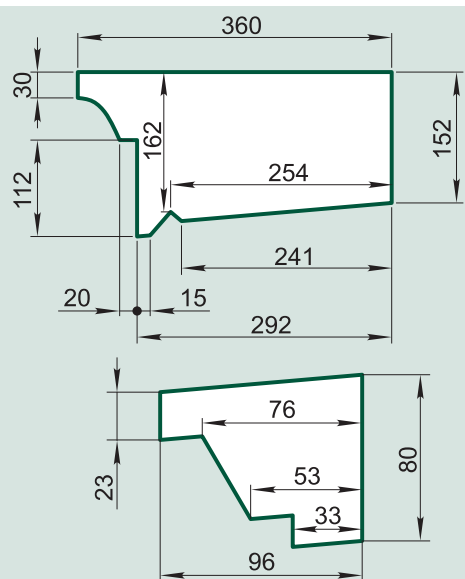
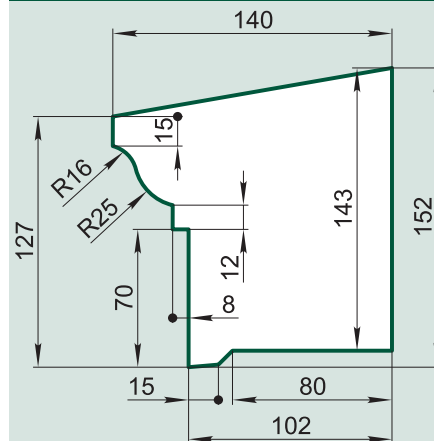
### FK15GT



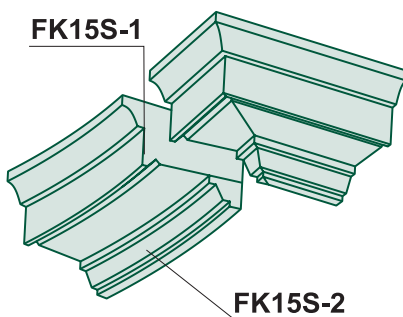
### FK15T



### FK15TN

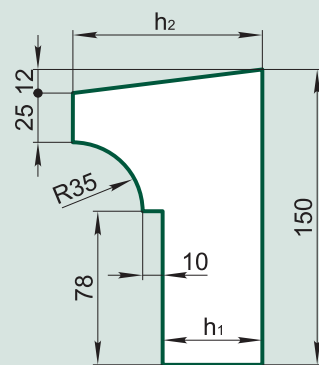


### FK15S



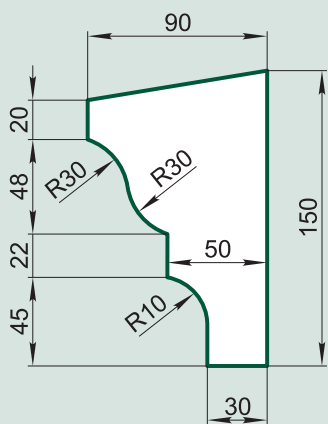
FK15S-1	114,7
FK15S-2	11,7

### FK15M

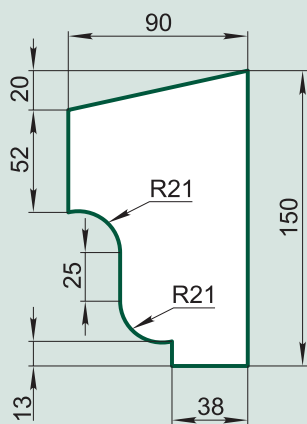


	h <sub>1</sub>	h <sub>2</sub>	
FK15M	50	95	20,3
FK15MM	79	115	33,3

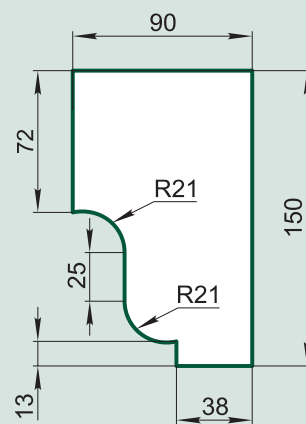
### FK15B



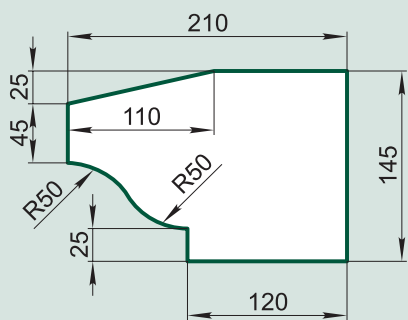
### FK15F



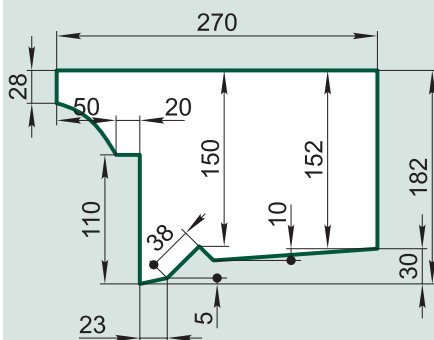
### FK15FP



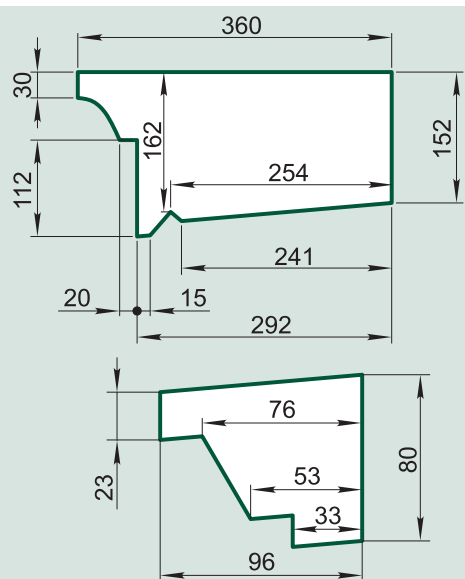
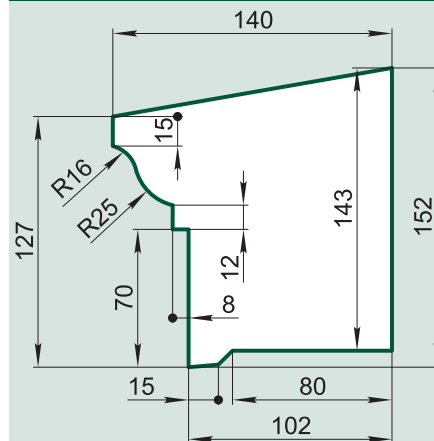
### FK15GT



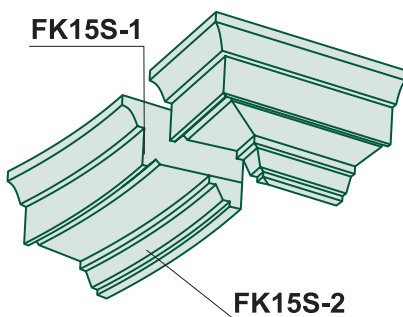
### FK15T



### FK15TN

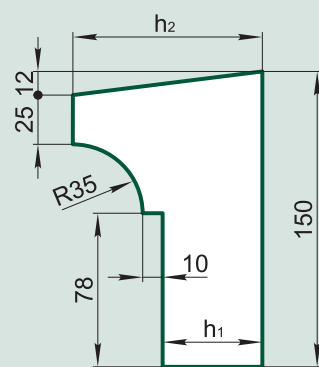


### FK15S



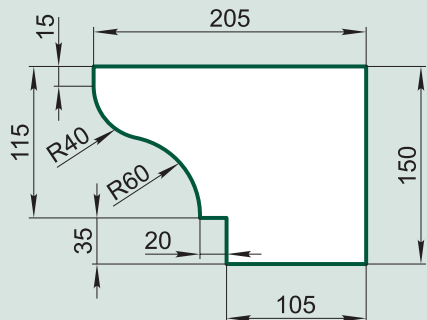
FK15S-1	114,7
FK15S-2	11,7

### FK15M

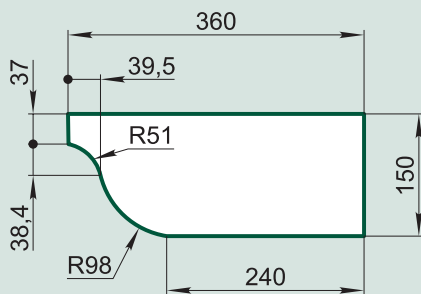


	h <sub>1</sub>	h <sub>2</sub>	
FK15M	50	95	20,3
FK15MM	79	115	33,3

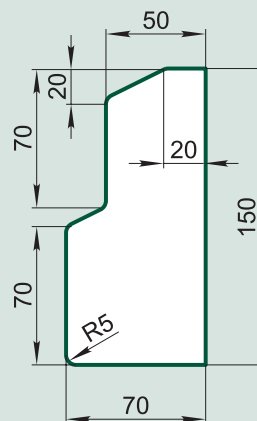
### FK15P



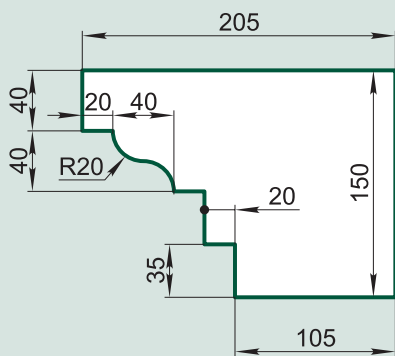
### FK15FG



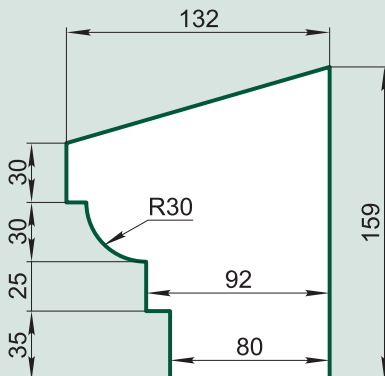
### FK15NM



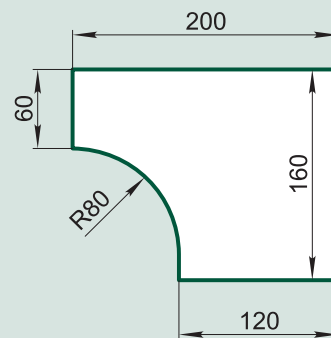
### FK15SA



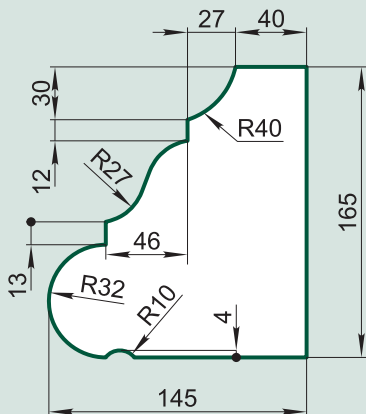
### FK16C



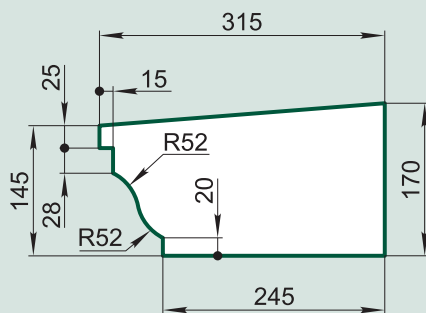
### FK16GK



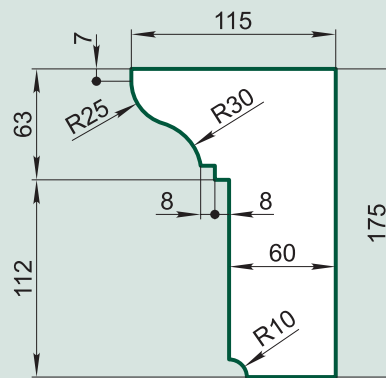
### FK17AN

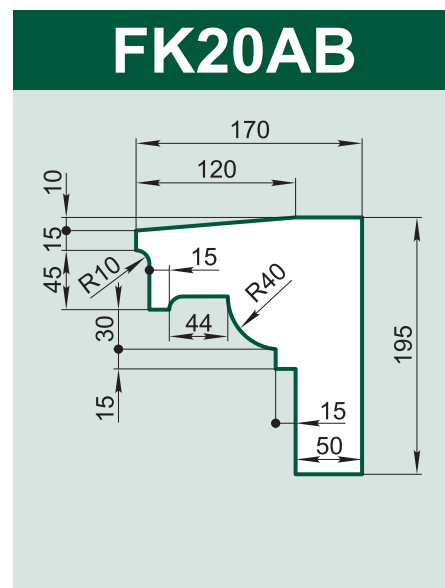
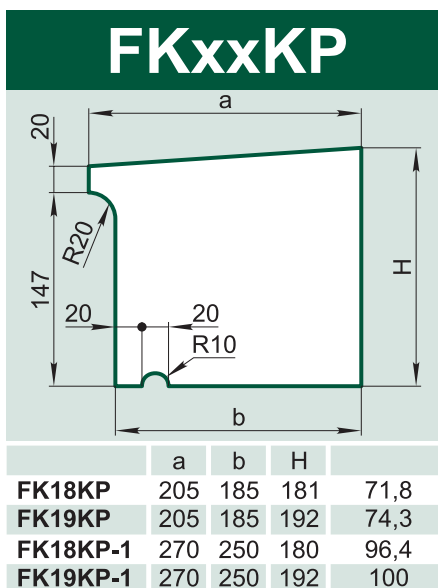
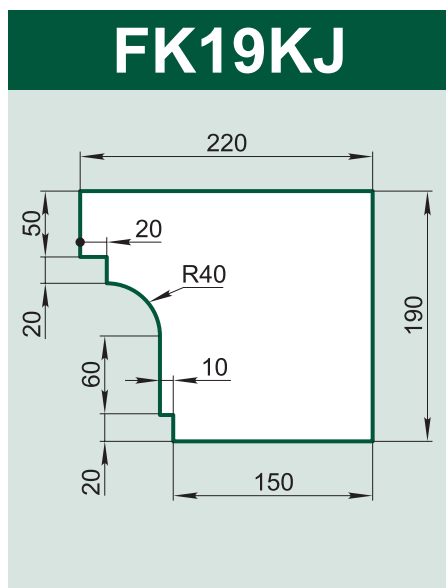
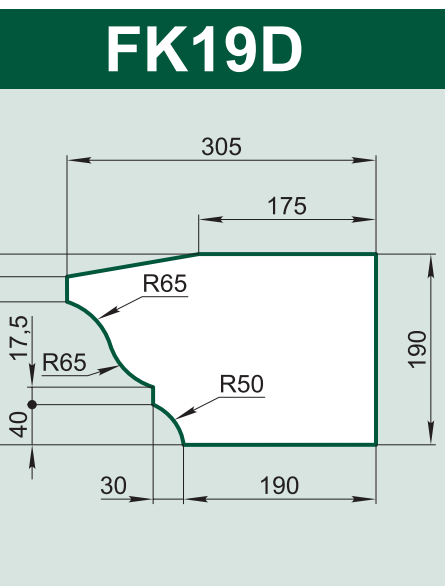
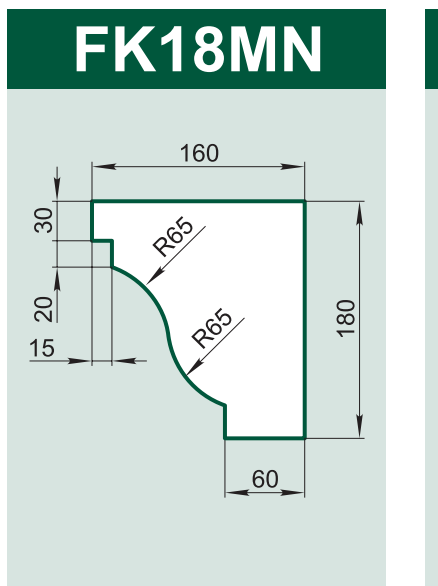
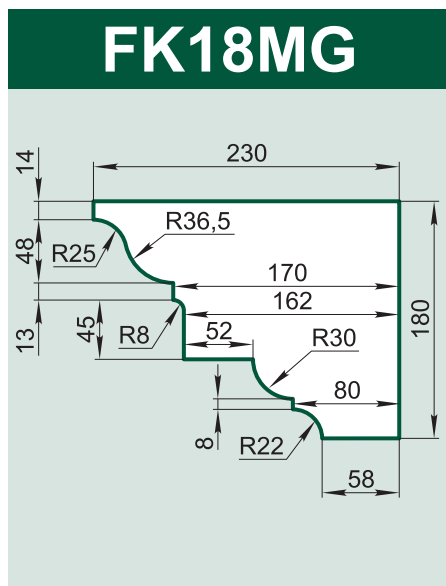
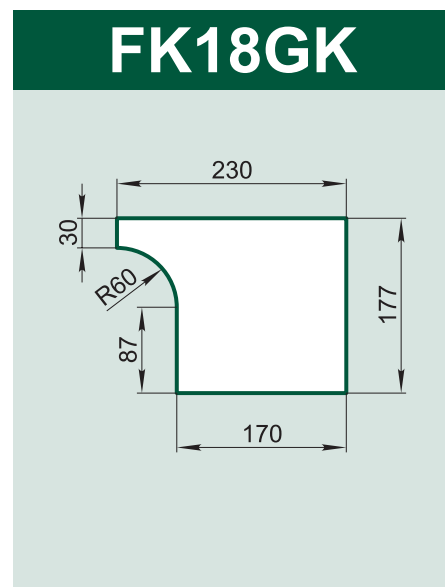
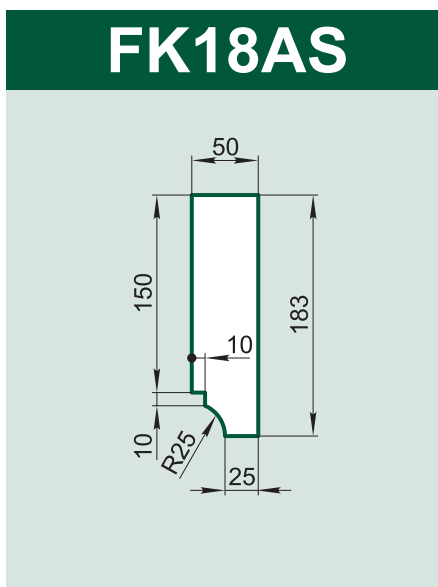
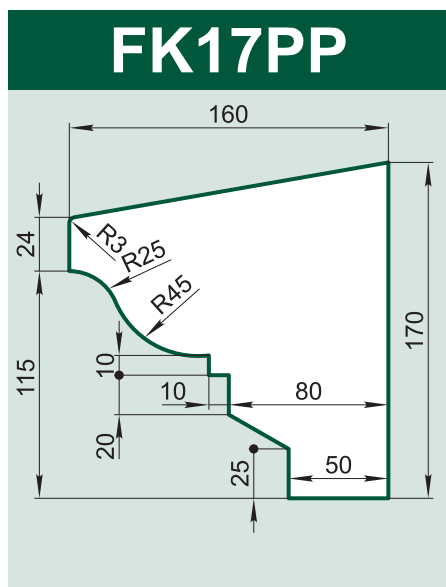


### FK17AW



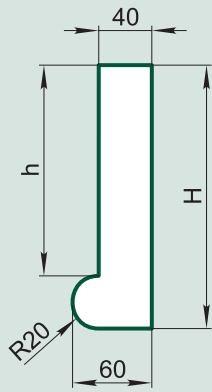
### FK17AZ





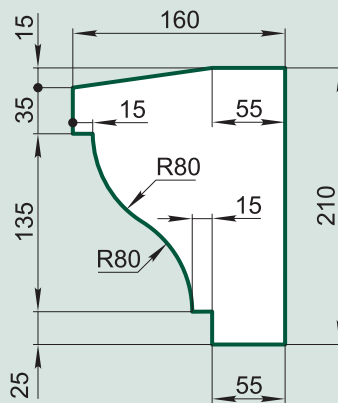


## FK20P, FK29P

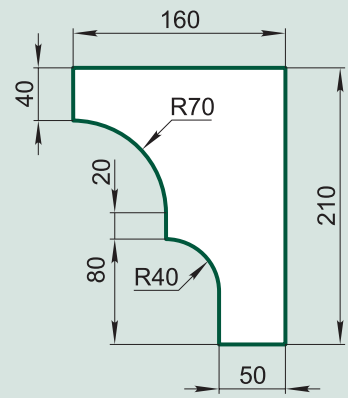


	H	h	
FK20P	200	160	19
FK29P	290	250	26,9

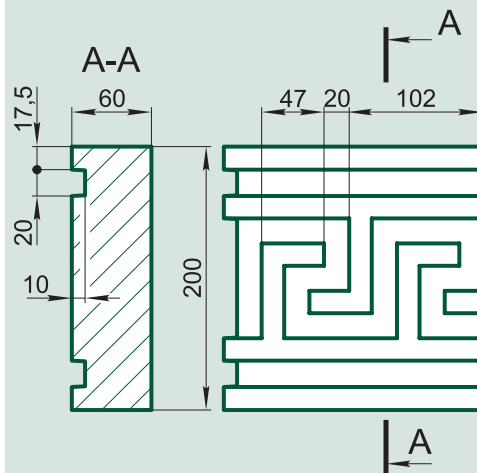
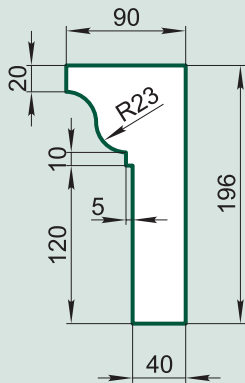
## FK21P



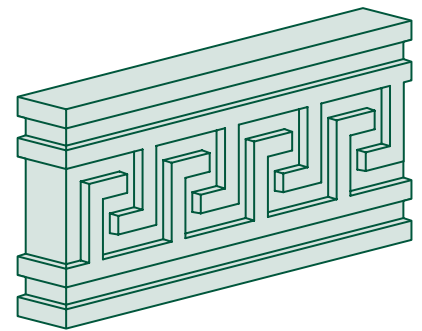
## FK21L



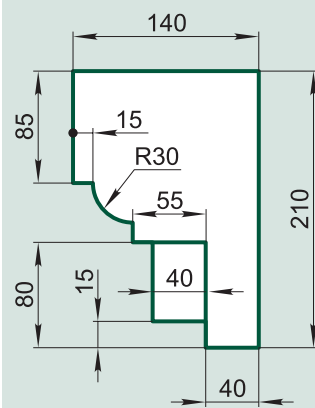
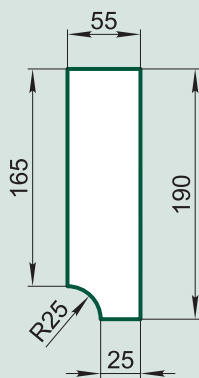
## FK20VB



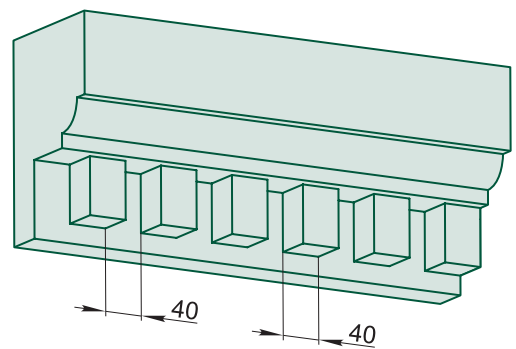
## FM20F



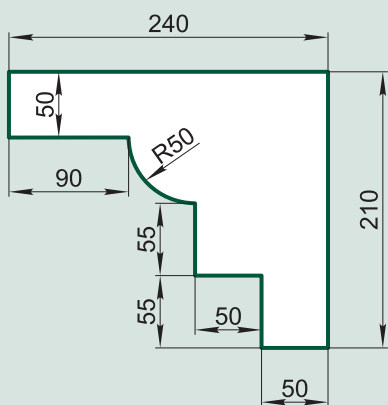
## FK21PP



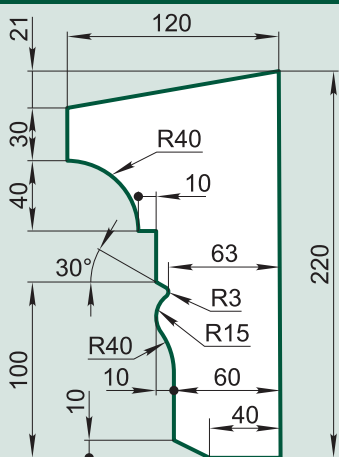
## FK21BS



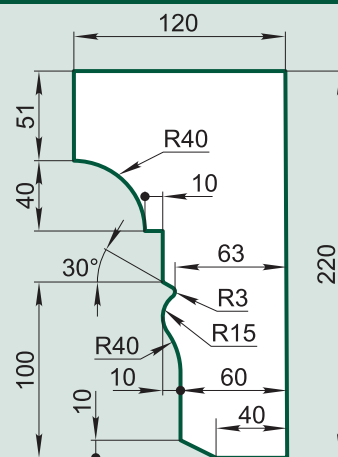
### FK21XM



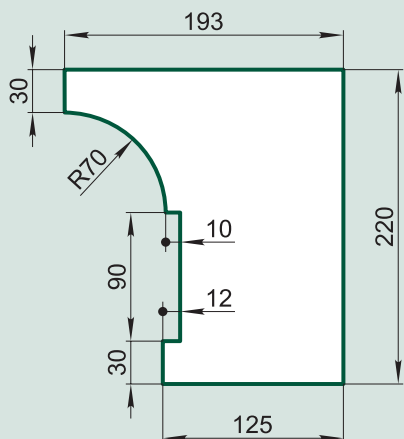
### FK22K



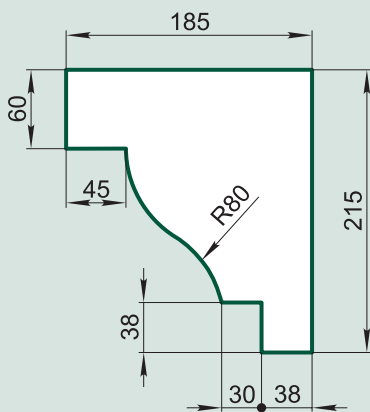
### FK22KP



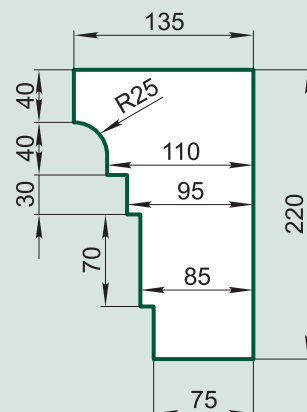
### FK22AG



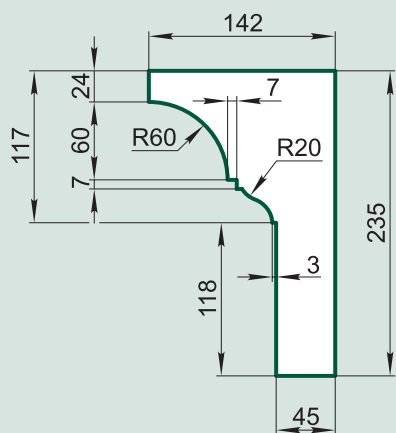
### FK22BG



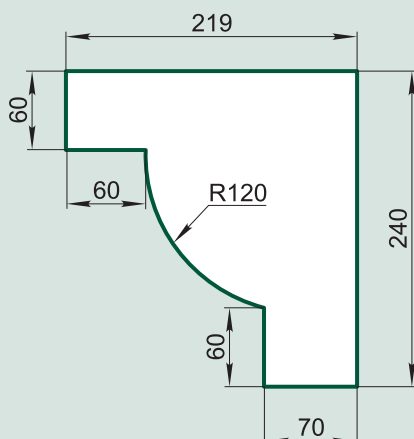
### FK22S



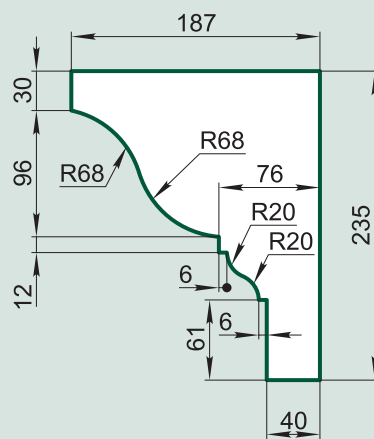
### FK24M



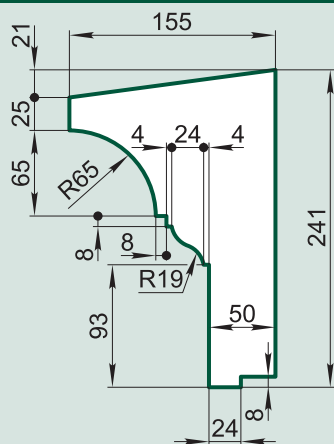
### FK24P



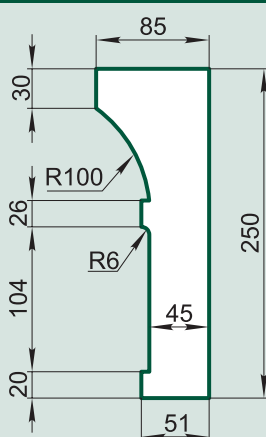
### FK24TP



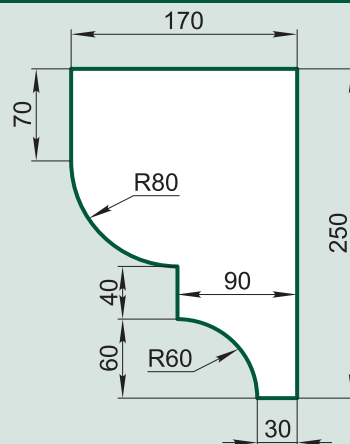
### FK24VP



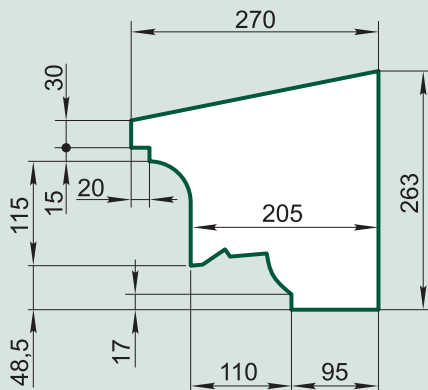
### OK25C



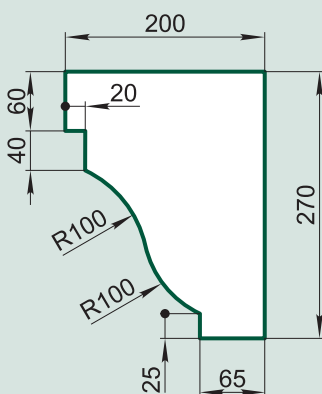
### FK25G



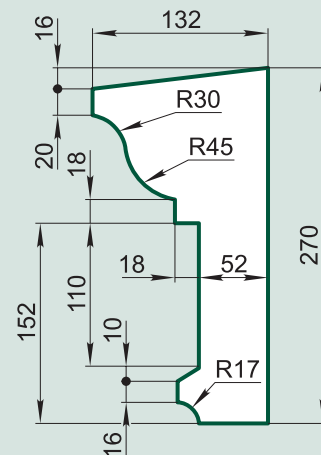
### FK26G



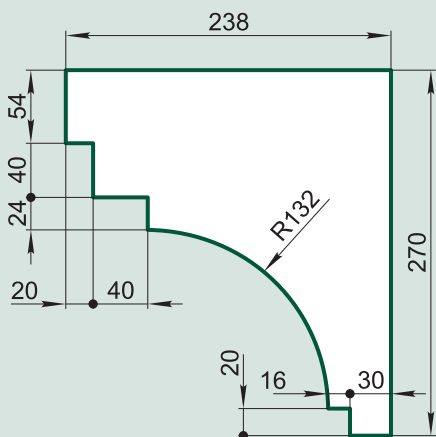
### FK27B



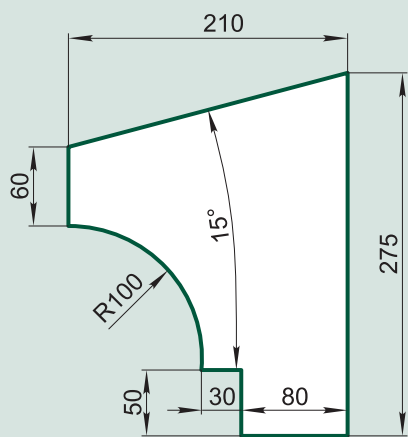
### FK27T



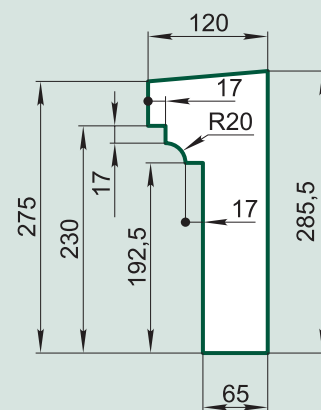
### FK27XM



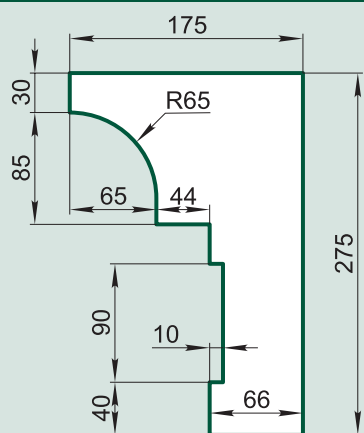
### FK28AC



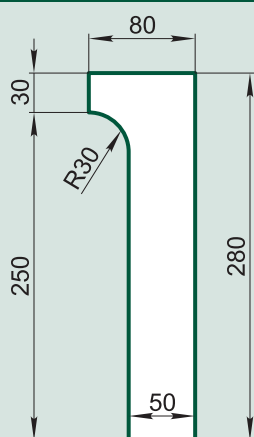
### FK28N



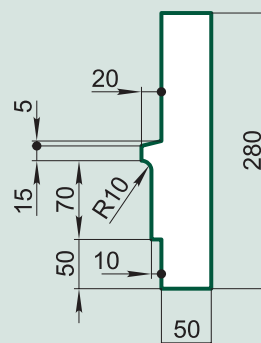
### FK28AG



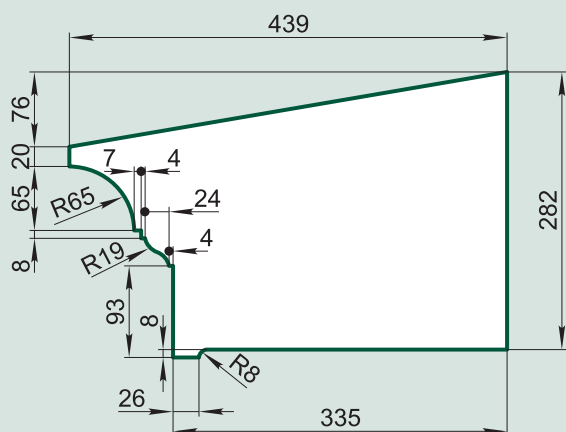
### FK28KP



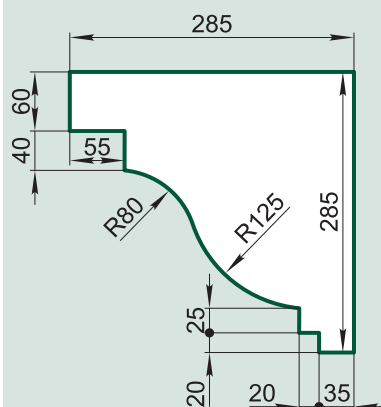
### FK28MG



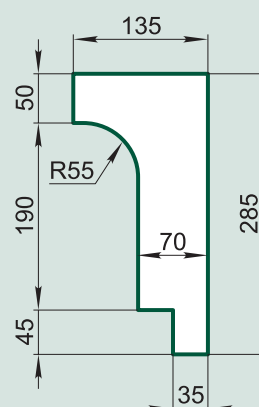
### FK28T



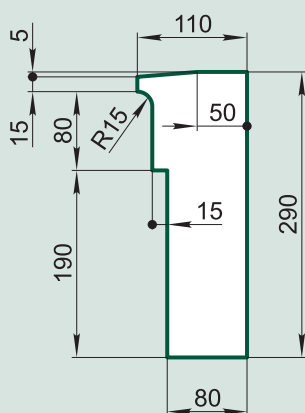
### FK29F



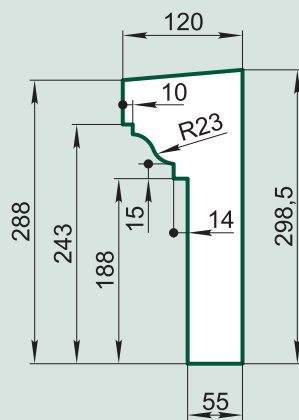
### FK29M



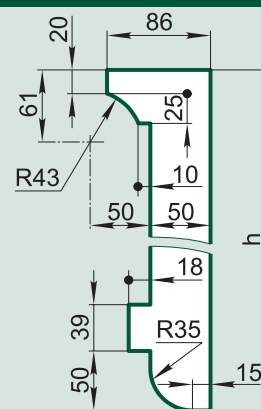
### FK29MG



### FK29N

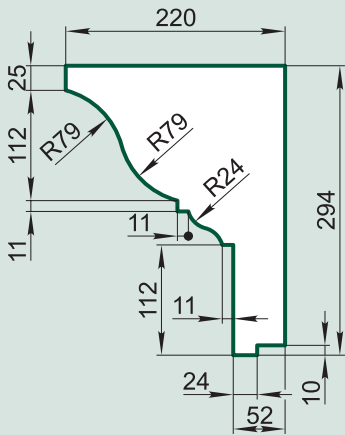


### FKxxNA

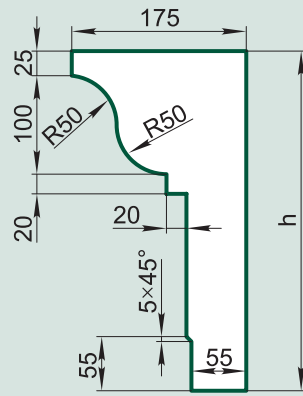


	h	
FK29NA	290	35,5
FK36NA	357	42,9

### FK29VT

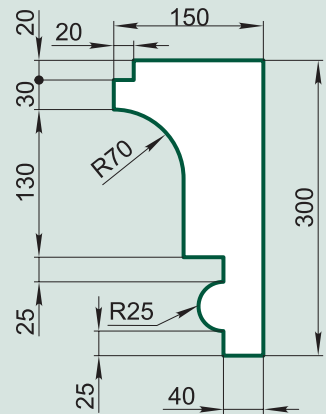


### FA30B, FA34B

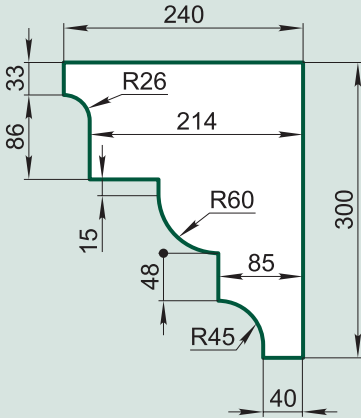


	h	
<b>FA30B</b>	295	60,9
<b>FA34B</b>	345	67,4

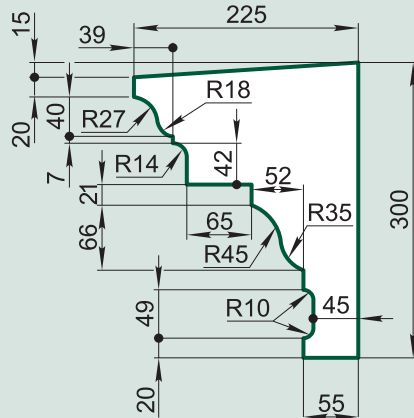
### FK30D



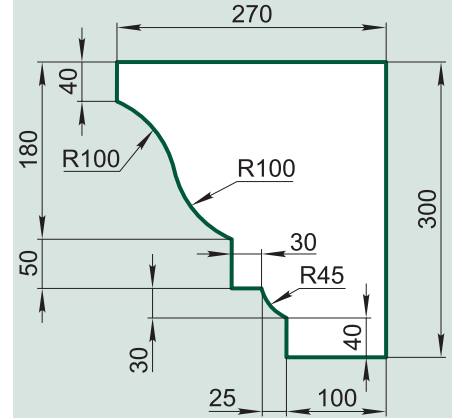
### FK30FG



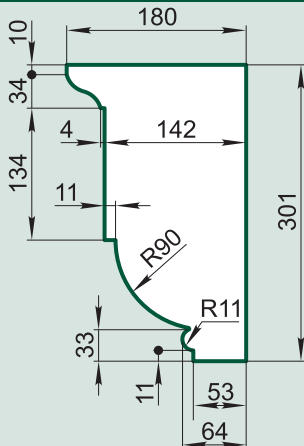
### FK30K



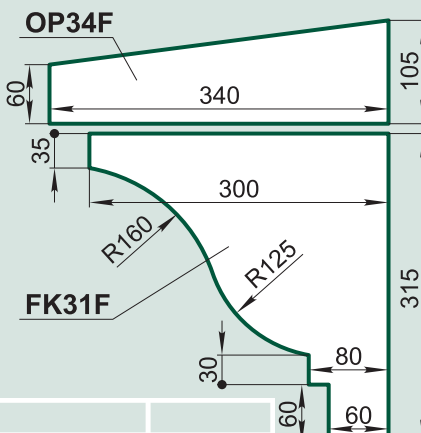
### FK30PK



### FK30VB

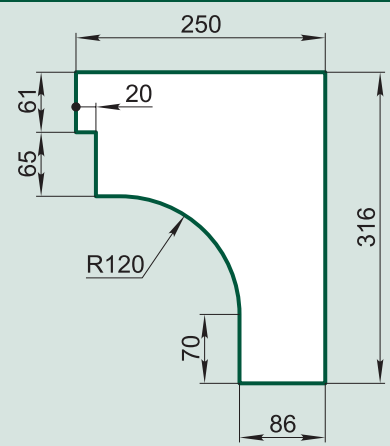


### FK31F, OP34F

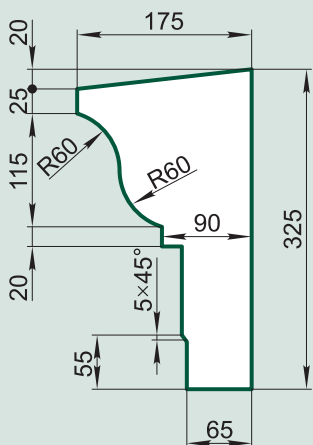


<b>FK331F</b>	113,6
<b>OP34F</b>	61,7

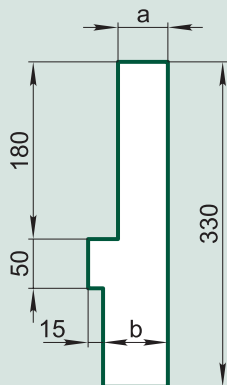
### FK32H



### FK33A

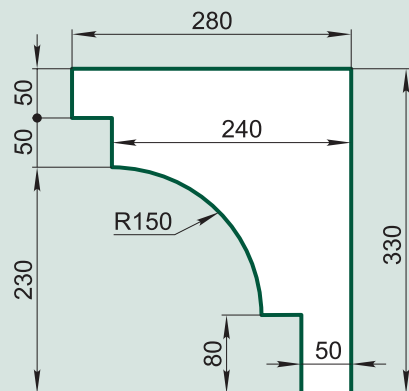


### FK33F

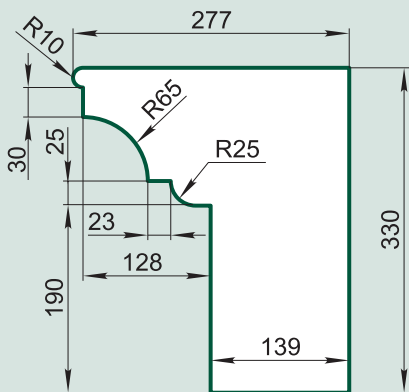


	a	b	
<b>FK33F</b>	50	65	43,9
<b>FA33F2</b>	45	60	39,3

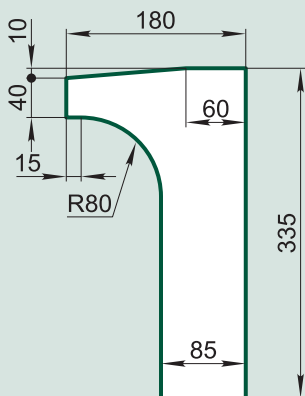
### FK33GM



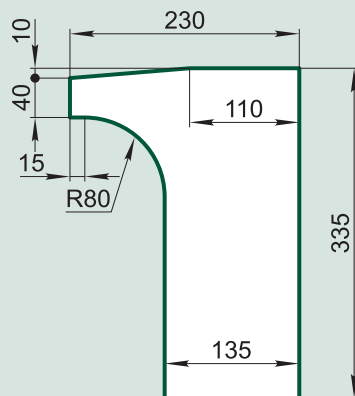
### FK33X



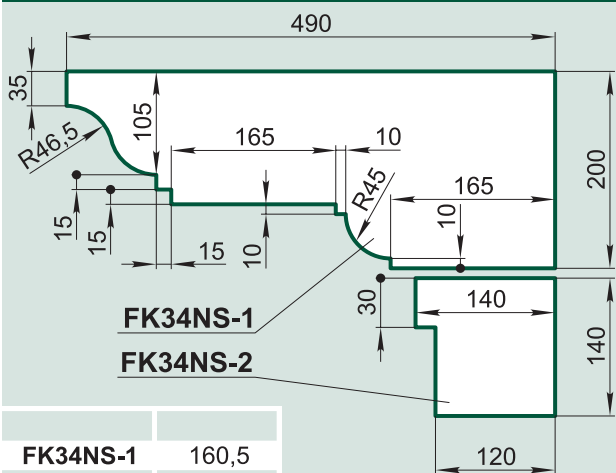
### FK34G



### FK34GS

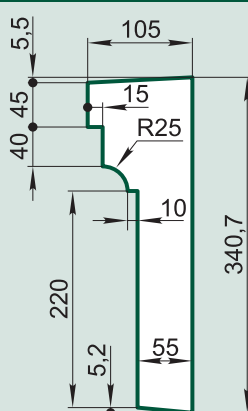


### FK34NS

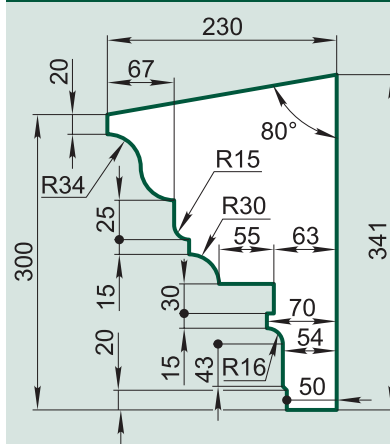


<b>FK34NS-1</b>	160,5
<b>FK34NS-2</b>	39,2

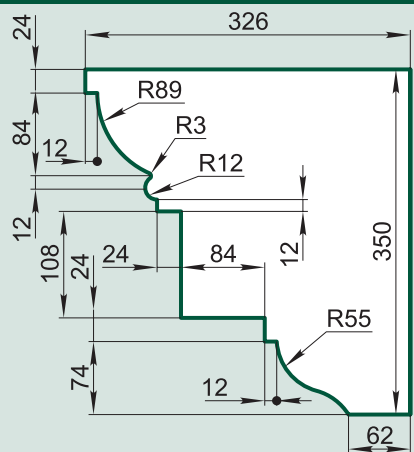
### FK34NA



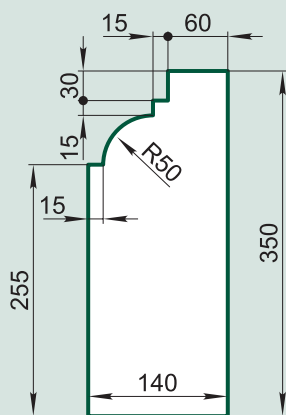
### FK34TA



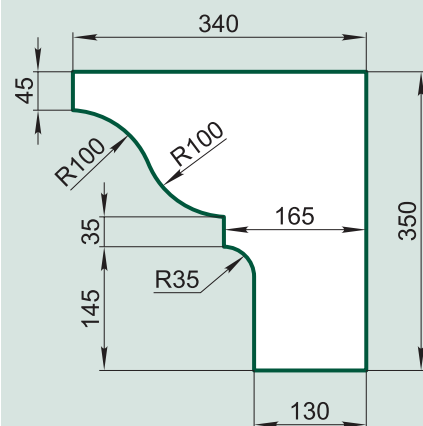
### FK35B



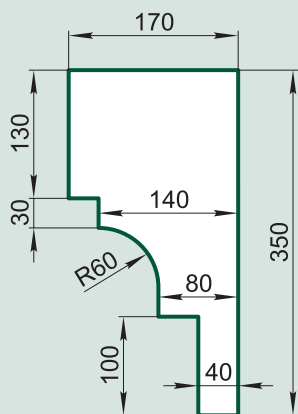
### FK35C



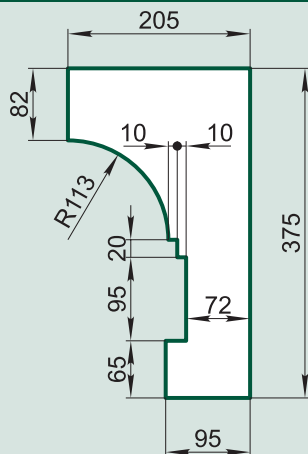
### FK35G



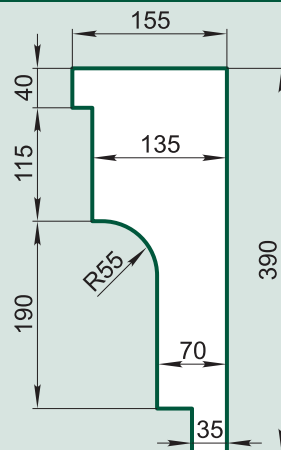
### FK35KP



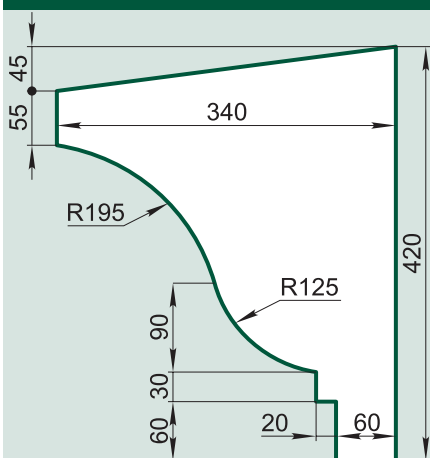
### FK38SA



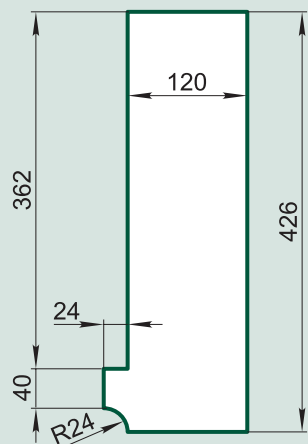
### FK39M



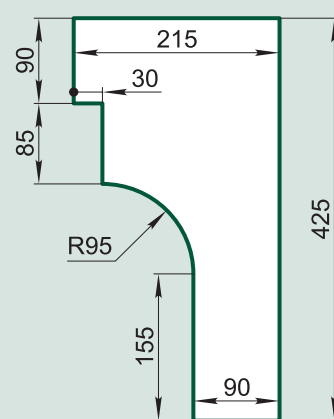
### FK42GF



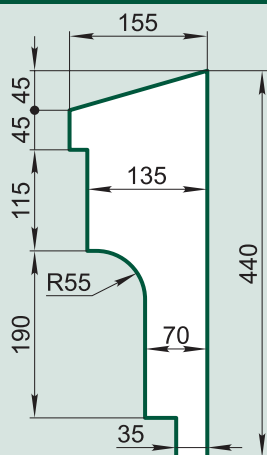
### FK43FT



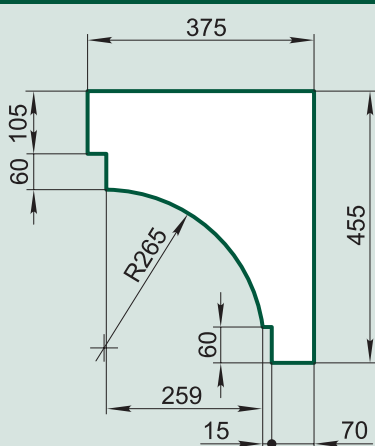
### FK43I



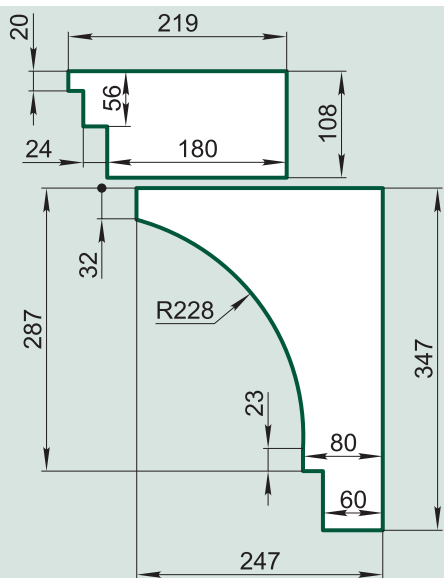
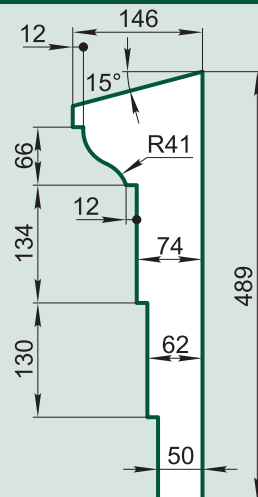
### FK44M



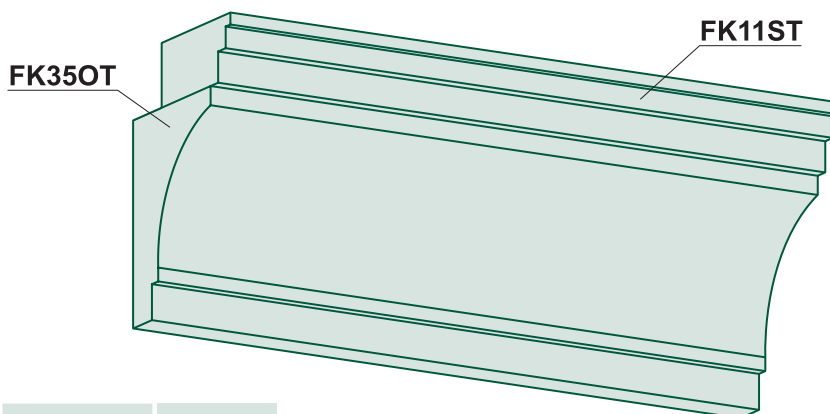
### FK45O



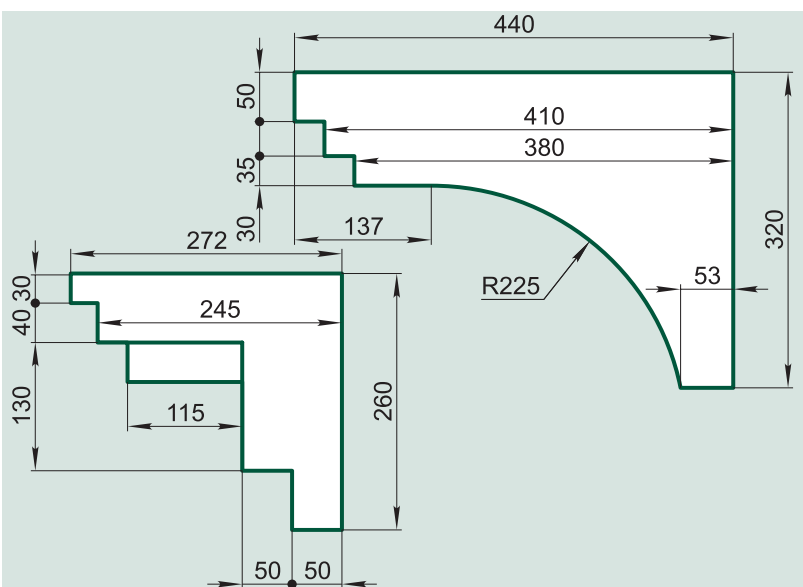
### FK49A



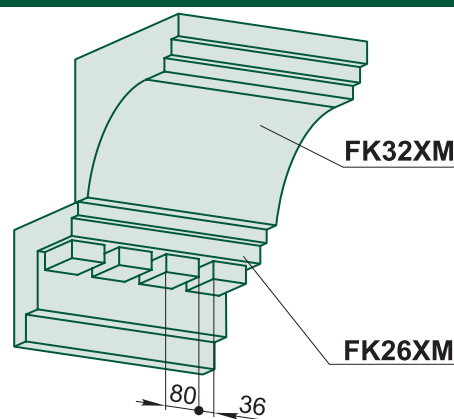
### FK11ST, FK35OT



FK11ST	46,4
FK35OT	91,2



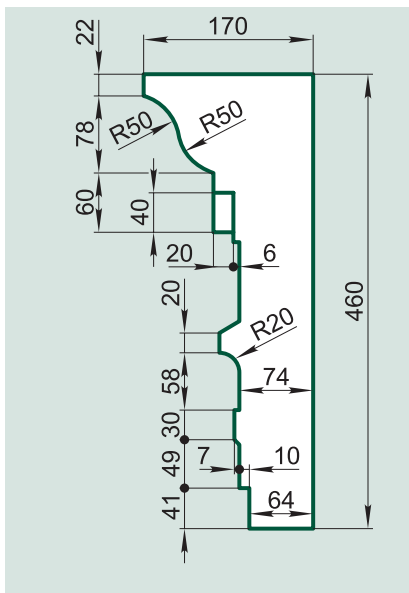
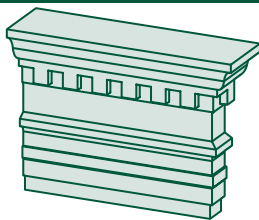
### FK32XM, FK26XM



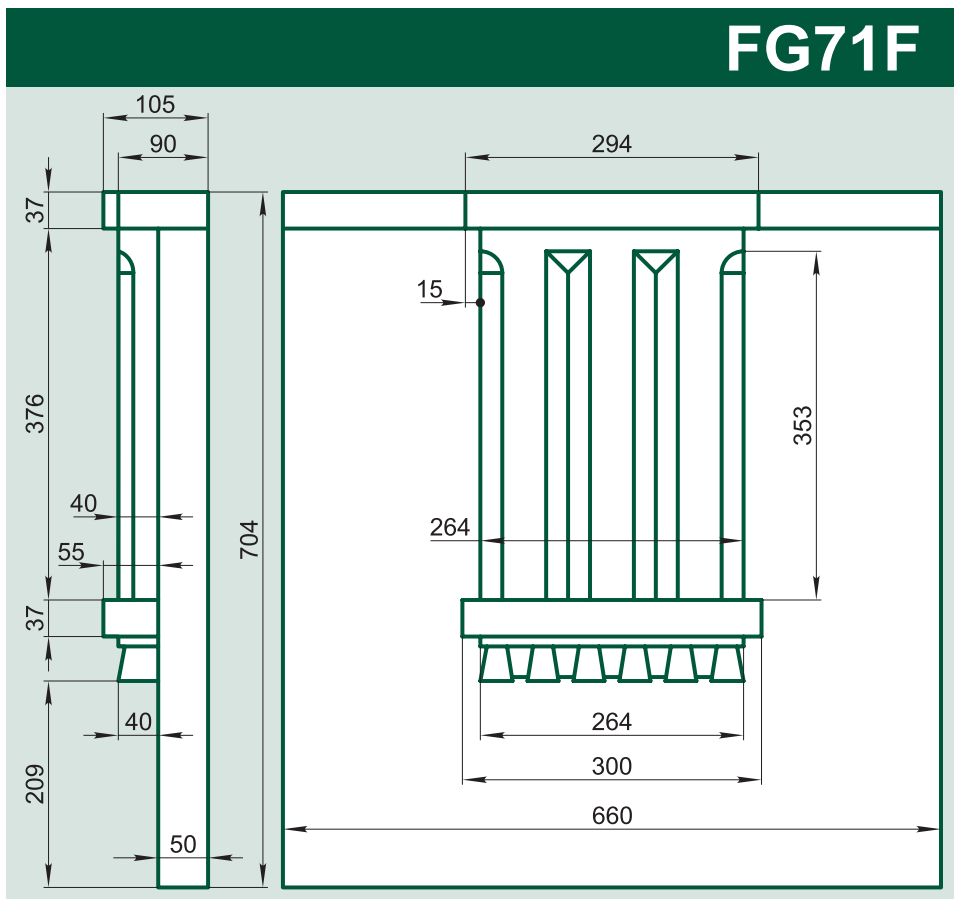
FK32XM	157
FK26XM	81,7



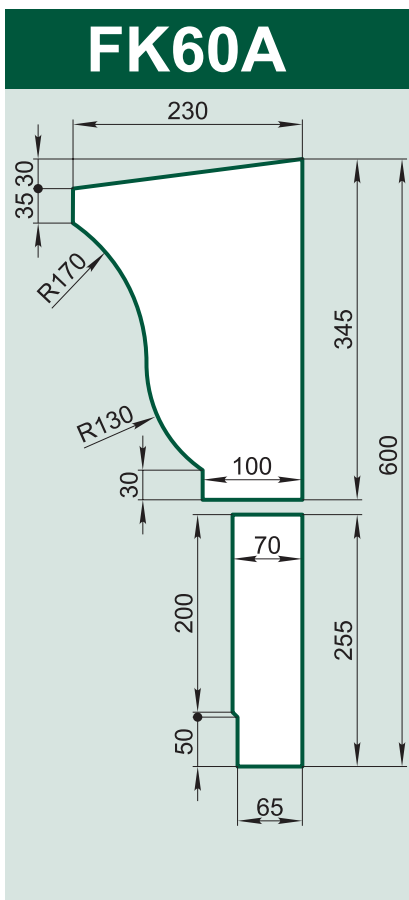
### FK46S



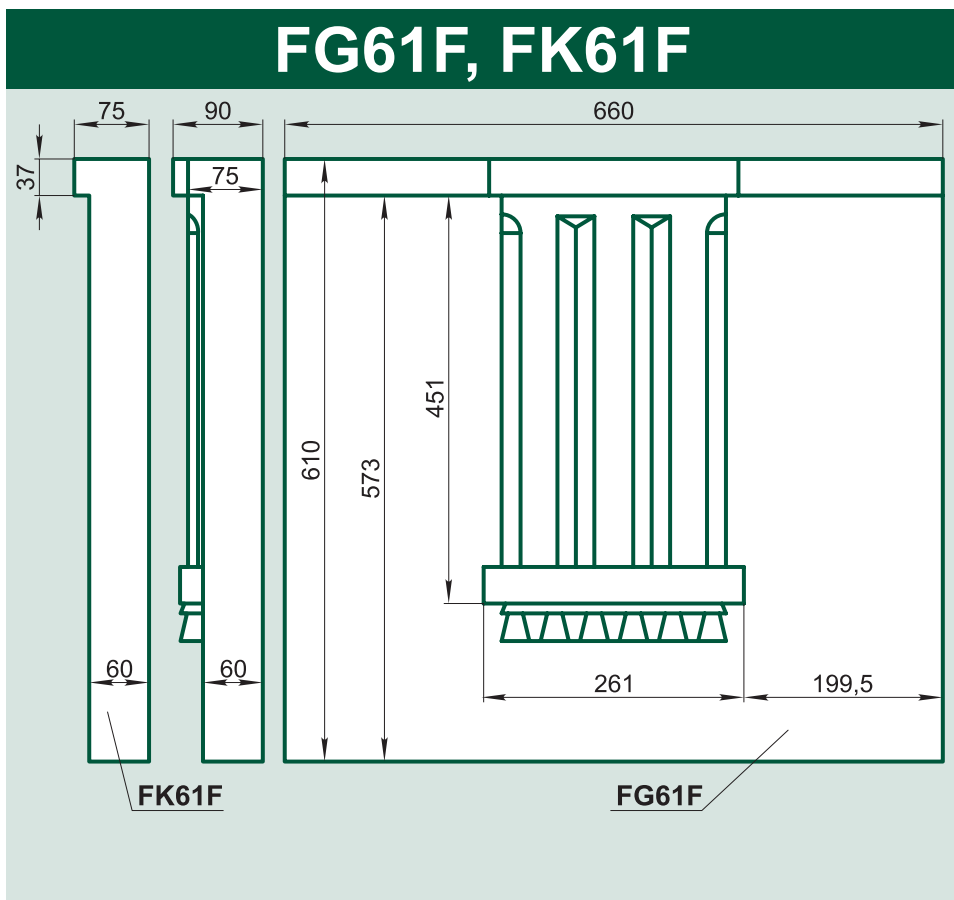
### FG71F

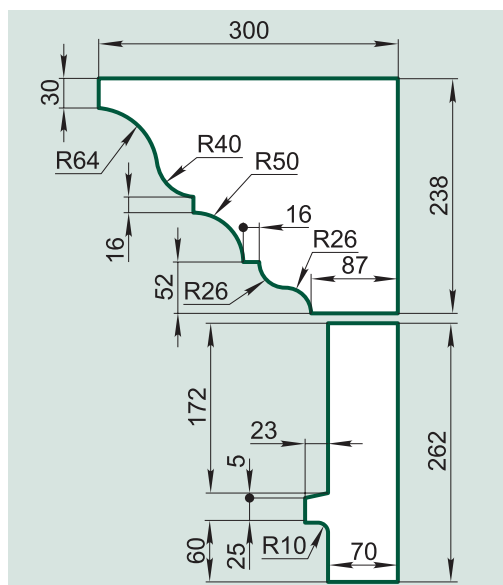


### FK60A

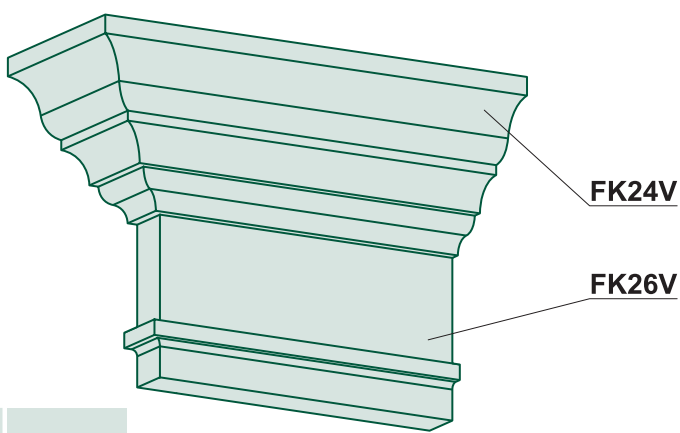


### FG61F, FK61F



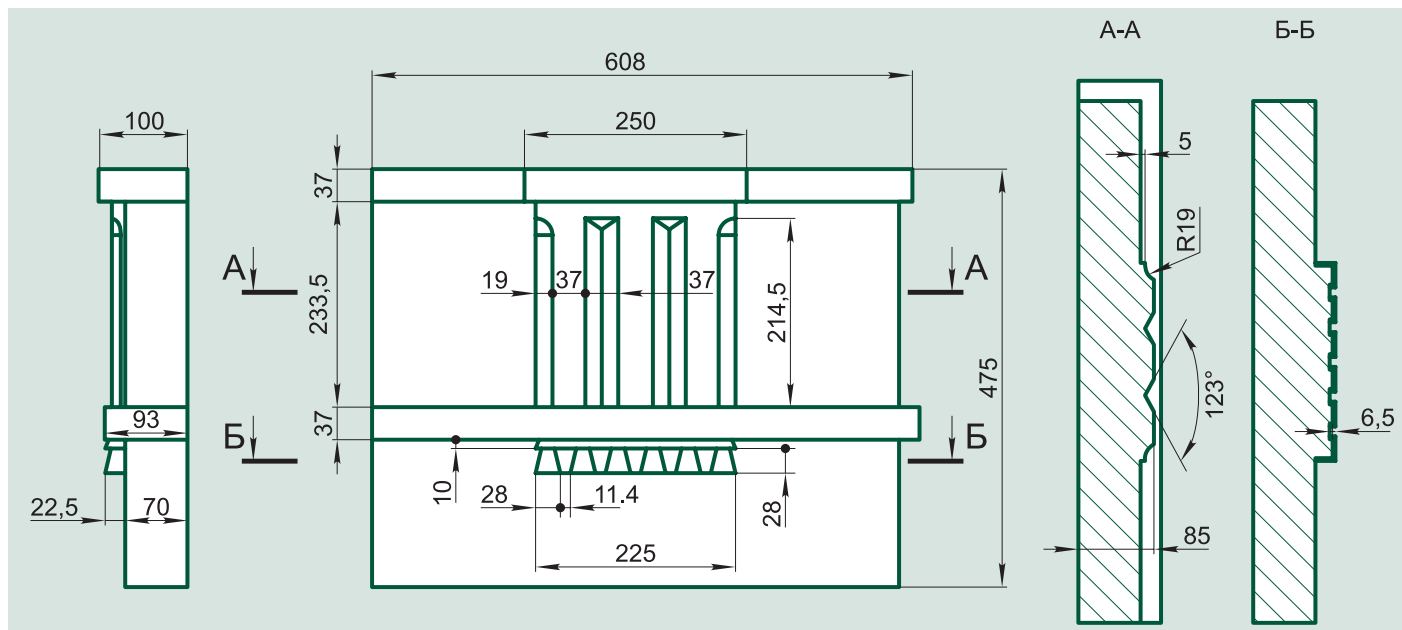
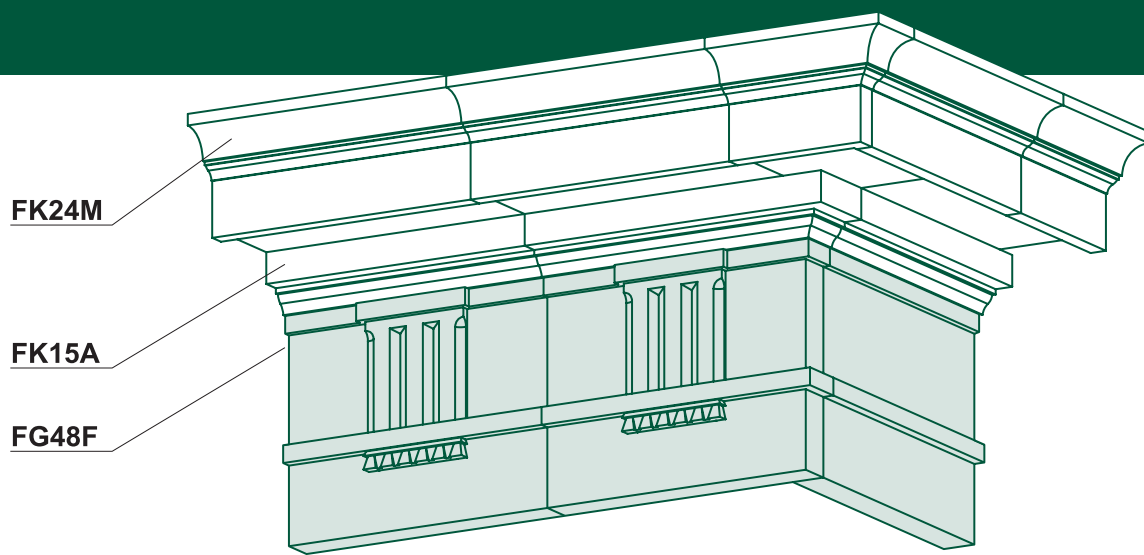


# FK24V, FK26V

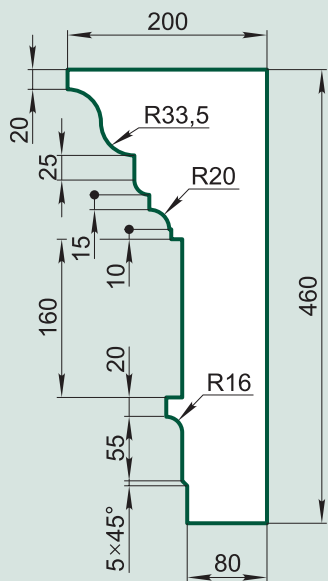


FK24V	107
FK26V	41,8

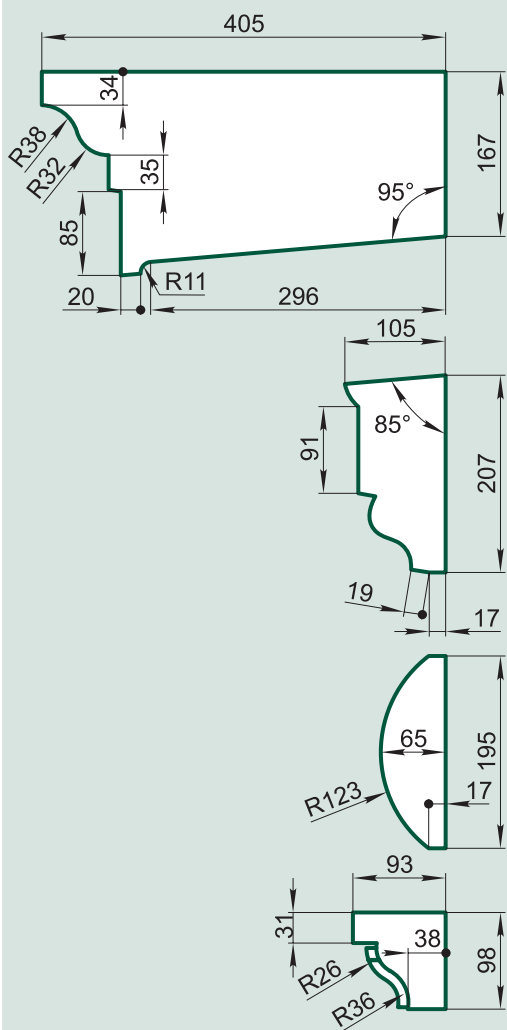
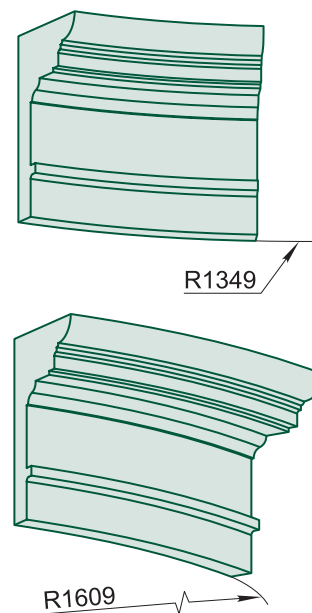
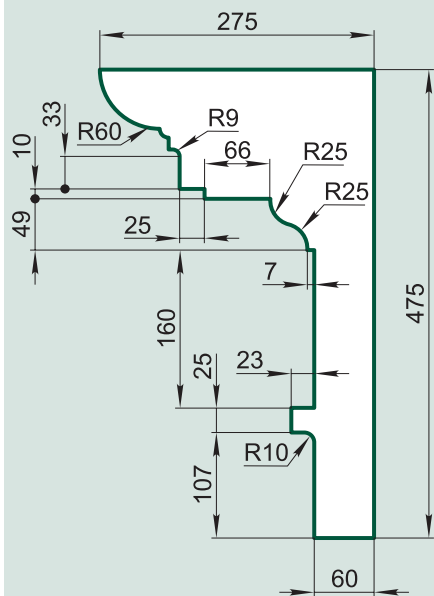
# FG48F



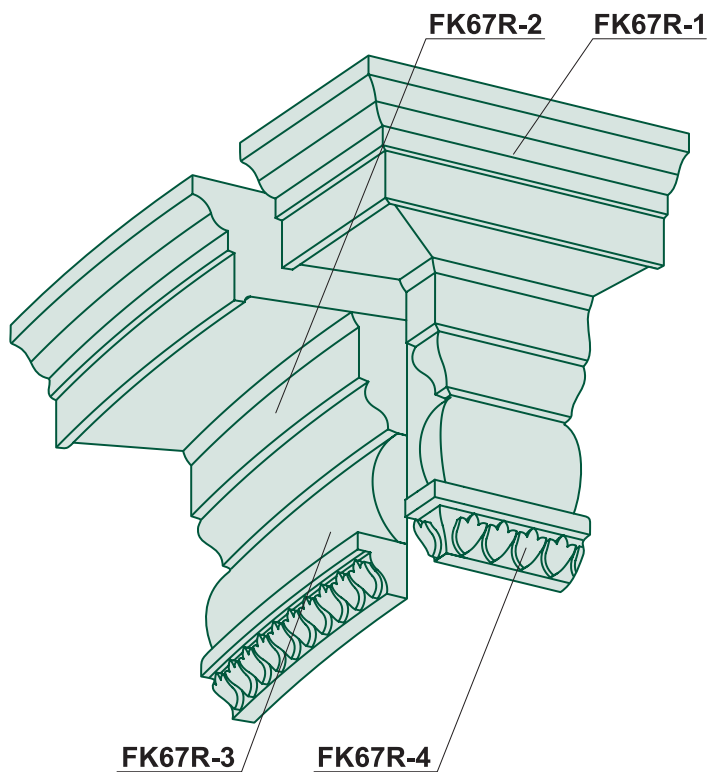
# FA46A



# FK48AA

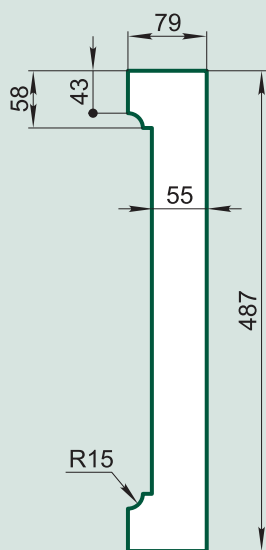


# FK67R

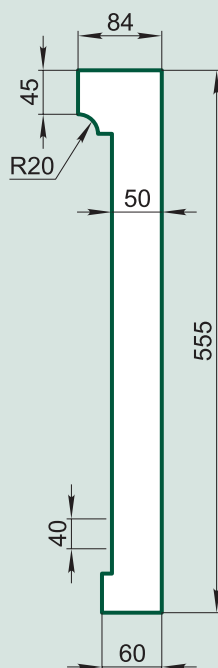


FK67R-1	143
FK67R-2	35
FK67R-3	21,6
FK67R-4	15

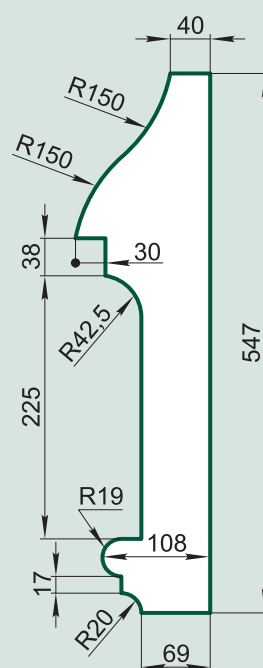
### FK48NA



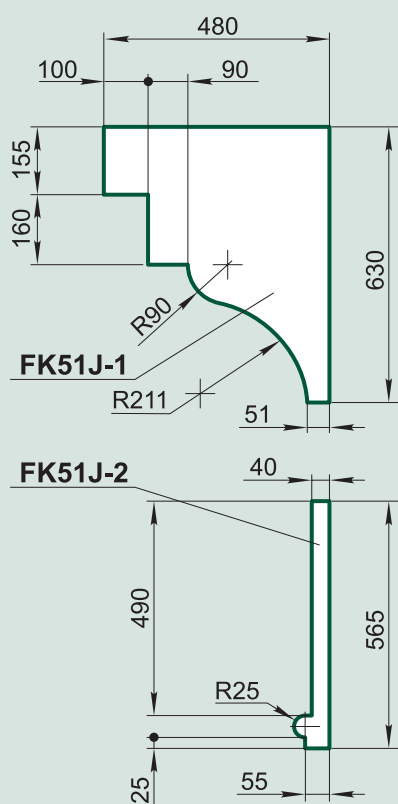
### FK55NA



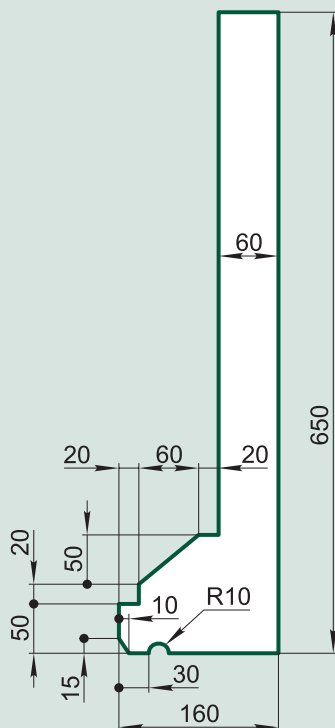
### FK55T



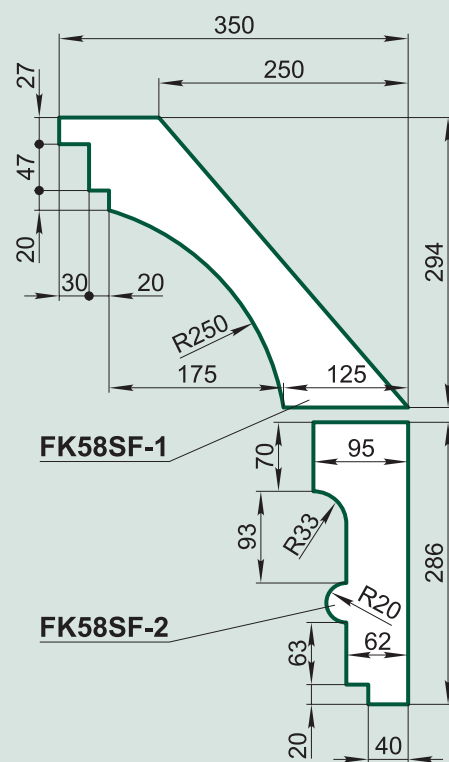
### FK51J



### FK65PT

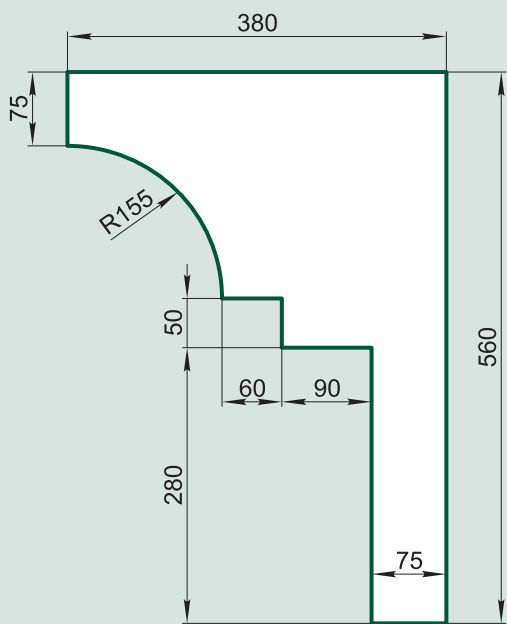


### FK58SF



FK58SF-1	64,6
FK58SF-2	45

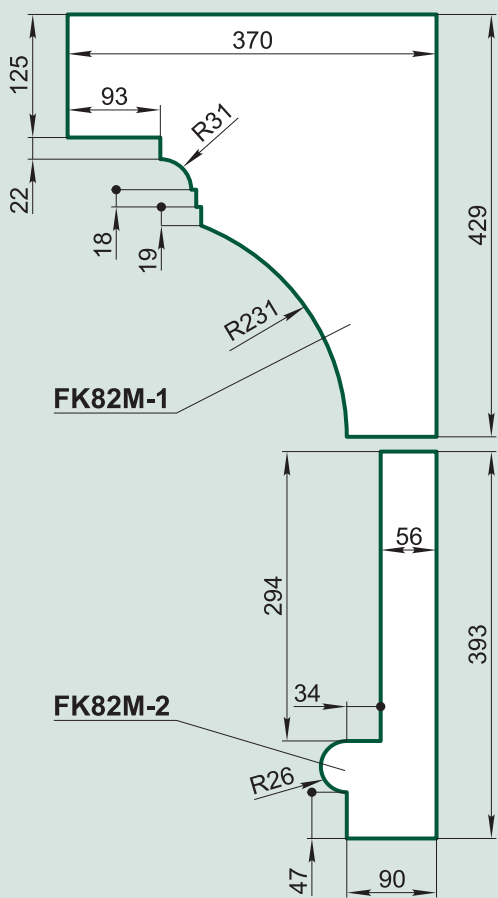
### FK56N



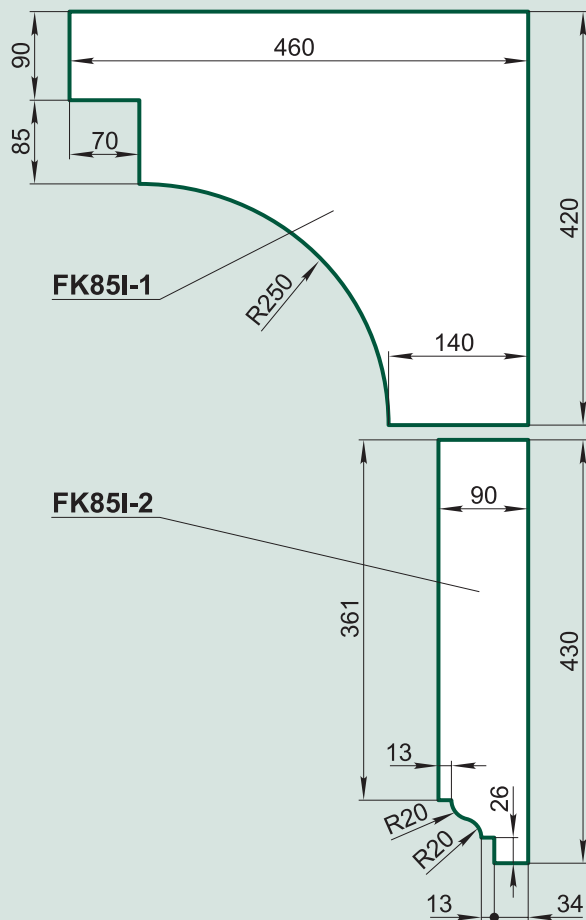
### FK56H



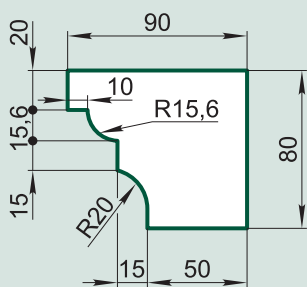
### FK82M



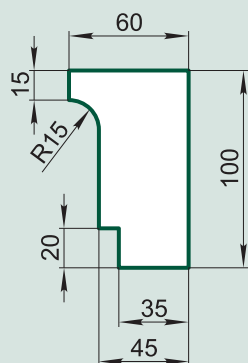
### FK85I



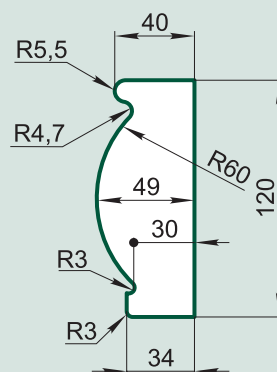
### ON8L



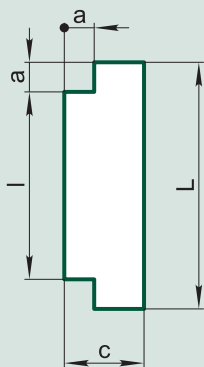
### ON10P



### ON12G

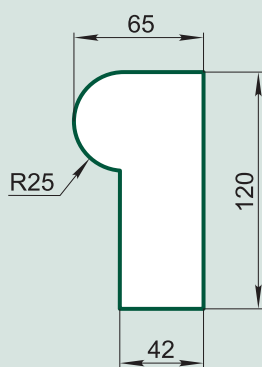


### ON12Kx

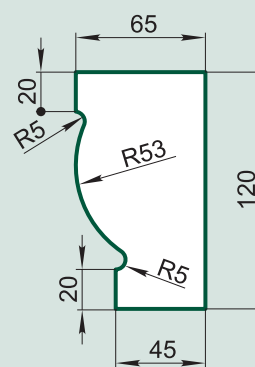


	L	l	a	c	
ON12KE	120	100	10	50	12,8
ON12KF	125	95	15	40	10,3

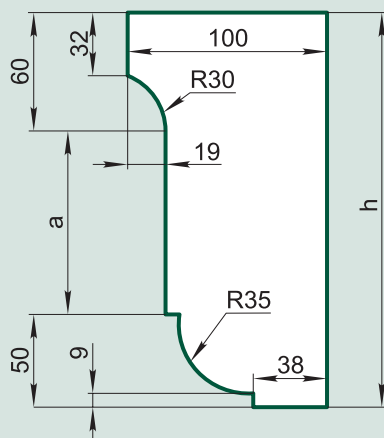
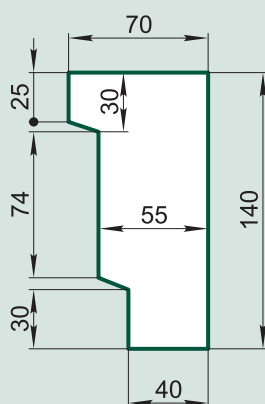
### ON120



### ON12W

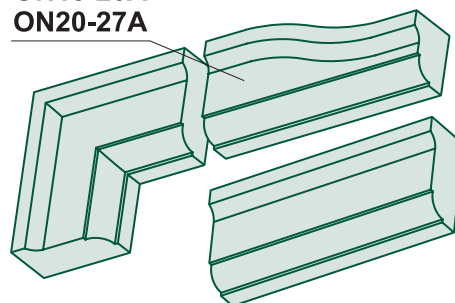


### ON14E



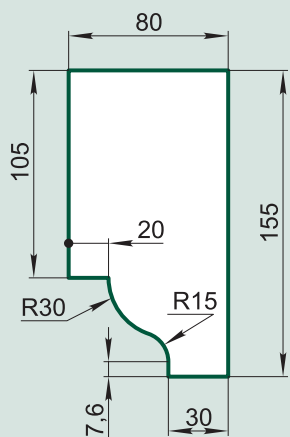
### ONxxA

ON13-20A  
ON20-27A

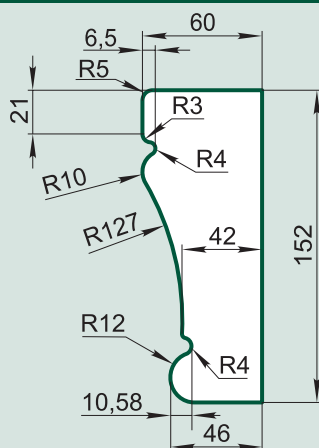


	a	h	
ON13A	23	130	23
ON20A	93	200	35,5
ON27A	163	270	48
ON40A	293	400	71

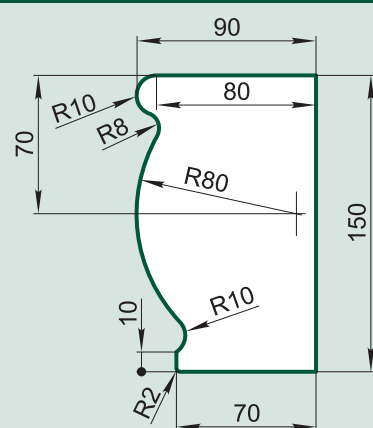
## ON15B



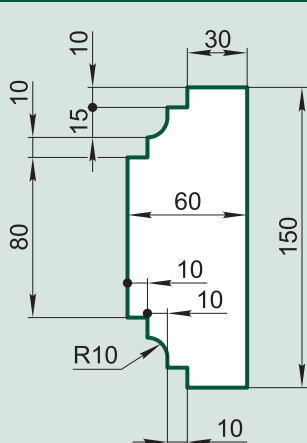
## ON15C



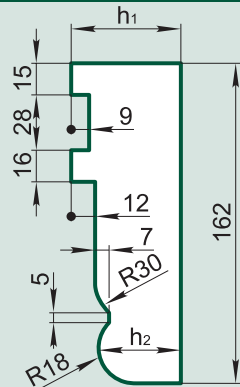
## ON15GO



## ON15KA

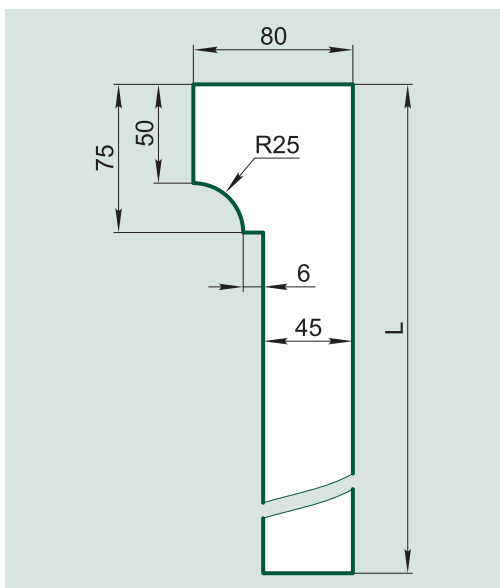
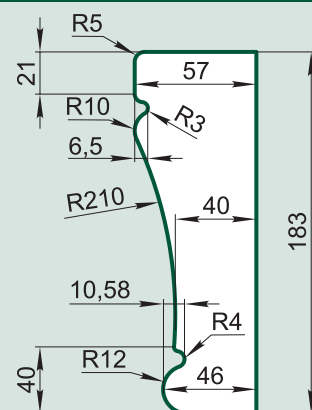


## ON16ND

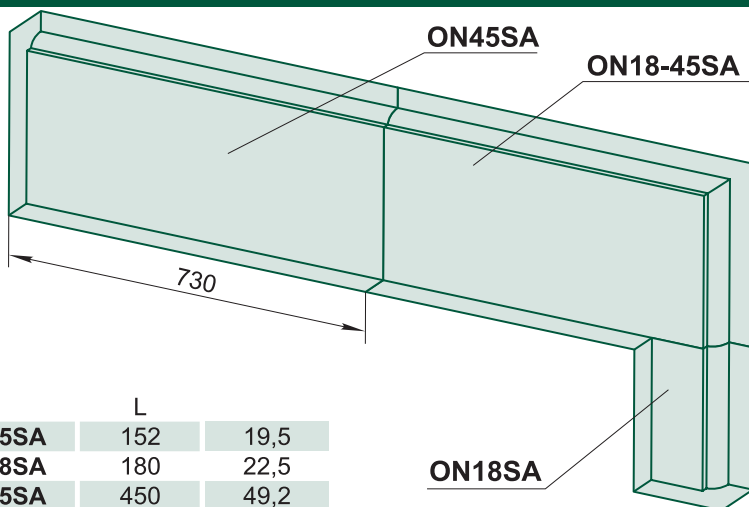


	h <sub>1</sub>	h <sub>2</sub>	
<b>ON16ND</b>	55	41,3	17,6
<b>ON16NDM</b>	80	66,3	24,8

## ON18C

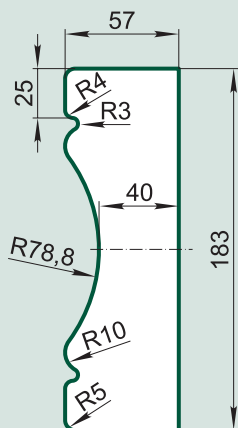


## ONxxSA

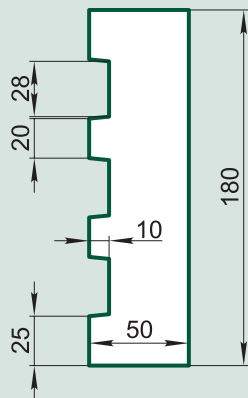


	L	
<b>ON15SA</b>	152	19,5
<b>ON18SA</b>	180	22,5
<b>ON45SA</b>	450	49,2

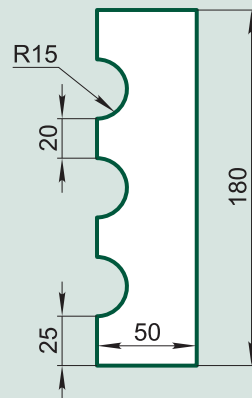
### ON18CM



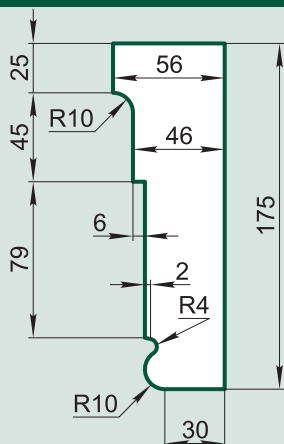
### ON18K



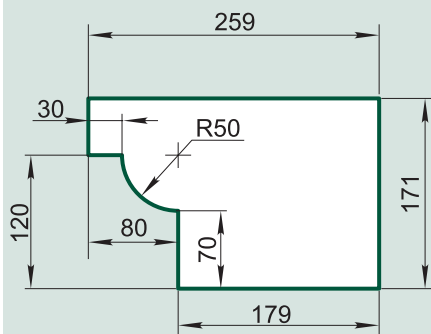
### ON18KG



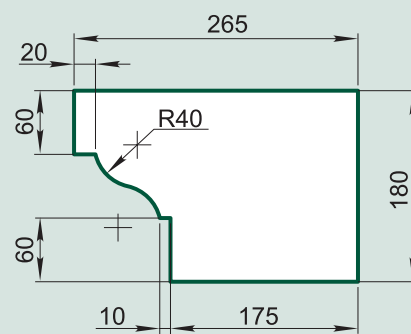
### ON18LO



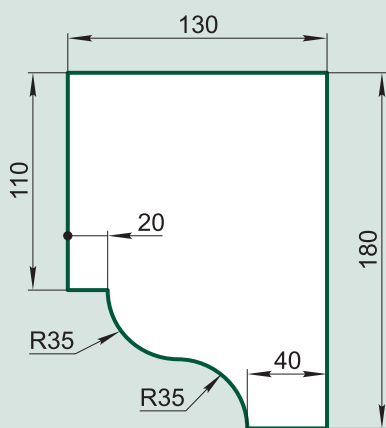
### ON18R



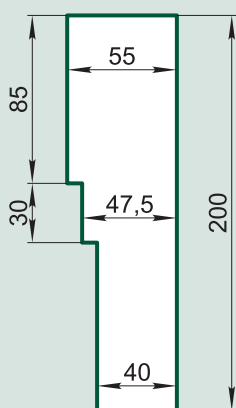
### ON18U



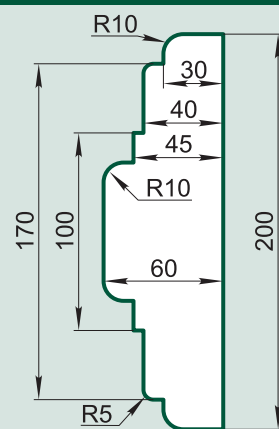
### ON18WB



### ON20G

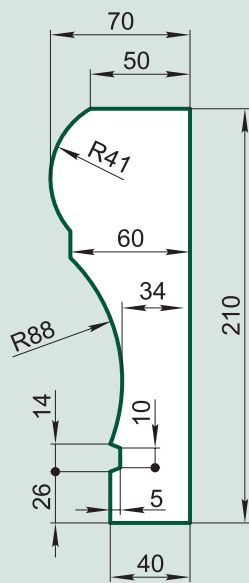


### ON20V

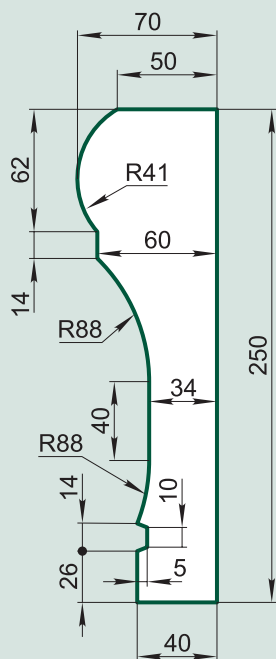




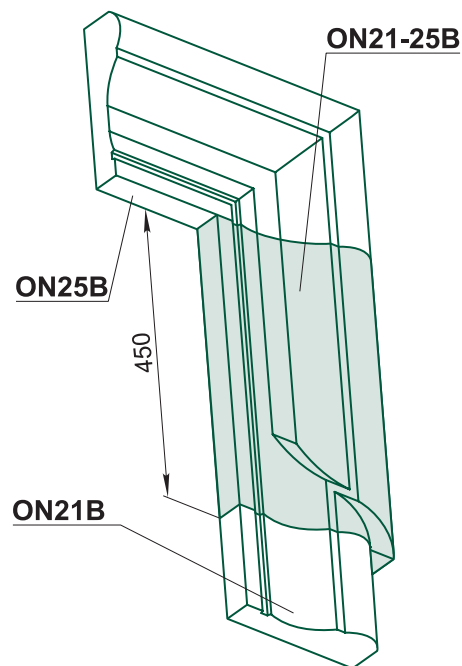
## ON21B



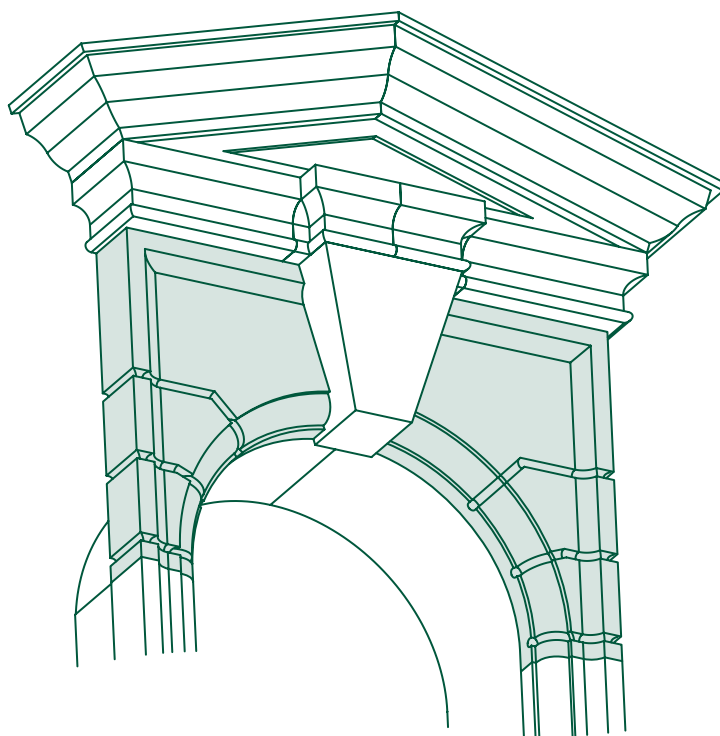
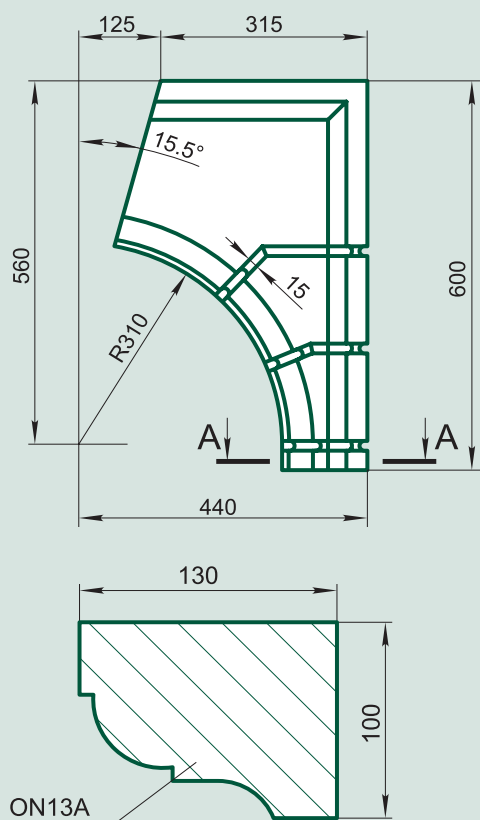
## ON25B



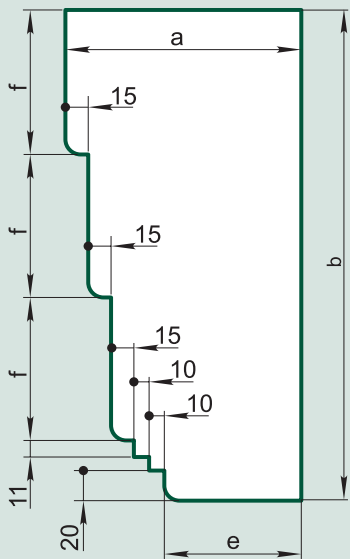
## ON21-25B



## ON13-20ARL(R)

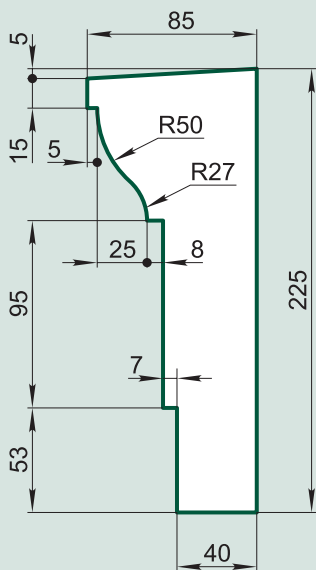


### ONxxD

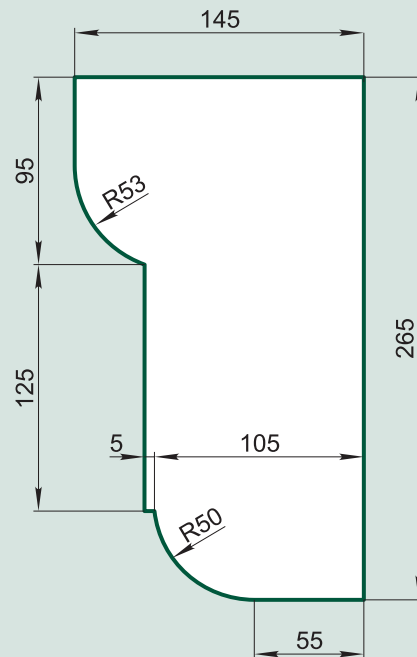


	a	b	e	f	
<b>ON20D</b>	135	204	70	56	59
<b>ON32D</b>	155	326	90	95	97

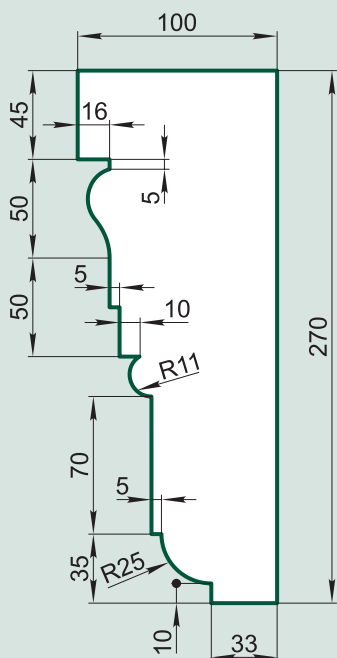
### ON23G



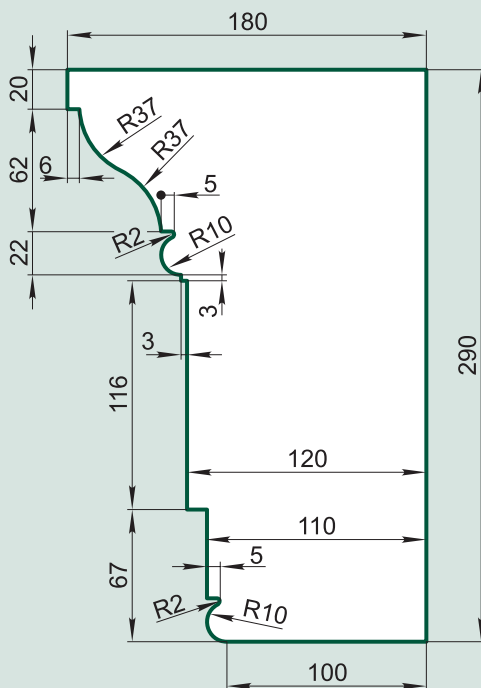
### ON26F



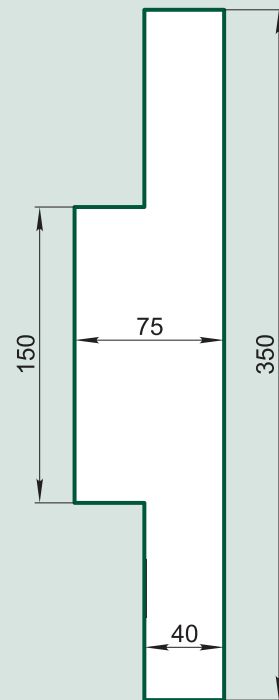
### ON27VZ

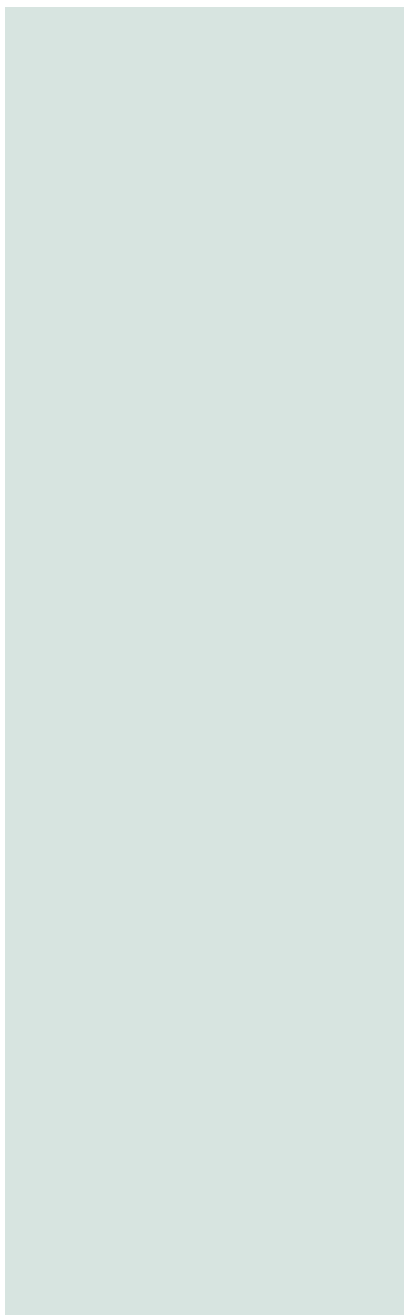


### ON29G



### ON35VP

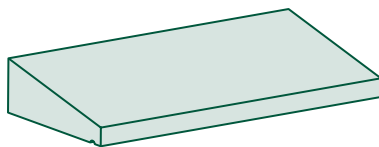
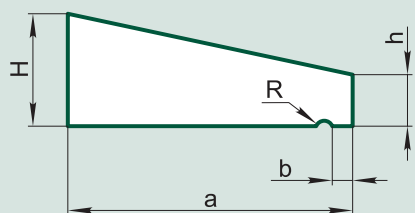




## **ДЕКОРАТИВНЫЕ ФАСАДНЫЕ ЭЛЕМЕНТЫ**

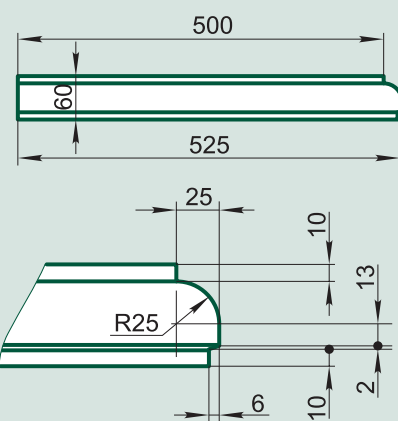
ПОДОКОННИКИ, ОТКОСЫ  
КАМНИ ЗАМКОВЫЕ  
КАМНИ РУСТОВЫЕ и ЦОКОЛЬНЫЕ  
КРОНШТЕЙНЫ, ТРИГЛИФЫ  
ФИЛЕНКИ, ТИМПАНЫ

## OPxxC, OP40LO, OPxxF

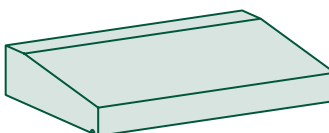
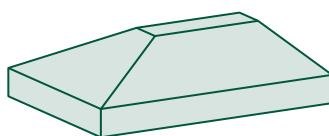
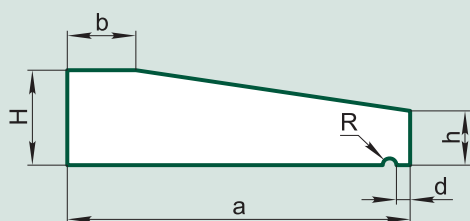


	a	H	h	R	b	
<b>OP27C</b>	270	80	40	11	26	35,6
<b>OP29C</b>	285	114	52	5	10	52
<b>OP40C</b>	407	145	50	11	26	87
<b>OP48C</b>	480	80	35	5	25	60,6
<b>OP50C</b>	500	145	50	11	26	107
<b>OP56C</b>	560	70	45	-	-	70,8
<b>OP16F</b>	160	61	50	8	15	19,3
<b>OP22F</b>	225	65,5	50	8	15	24,4
<b>OP29F</b>	290	70	50	8	15	38
<b>OP41F</b>	410	70	50	8	15	53,9

## OP6A

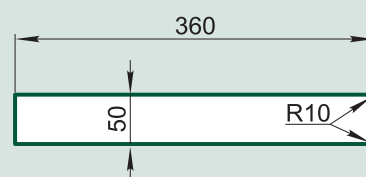


## OPxxCL

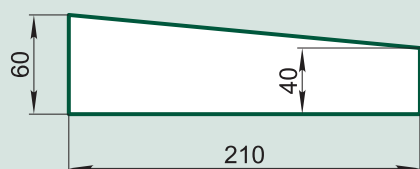


	a	H	h	b	R	d	
<b>OP25CL</b>	250	70	40	50	5	10	25,5
<b>OP36CL</b>	360	70	50	50	6	13	48,5
<b>OP51CL</b>	520	67	52	110	5	10	70

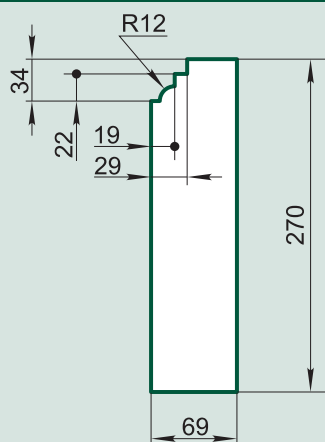
## OP36E



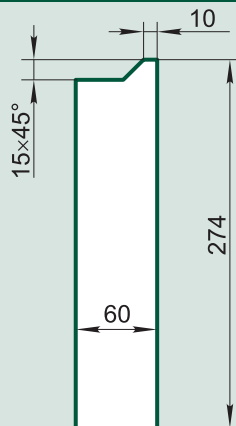
## OP21G



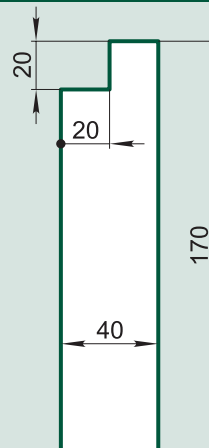
### OO270X69P



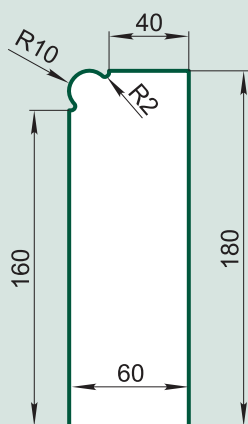
### OO274X60U



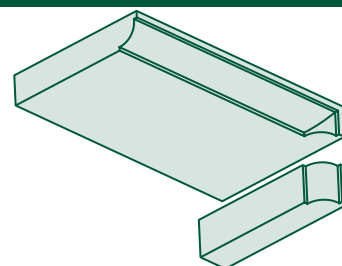
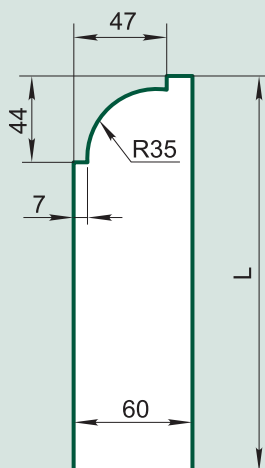
### OO170X40S



### OO180X60G

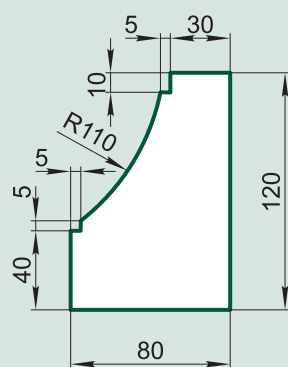


### OOxxxX60A

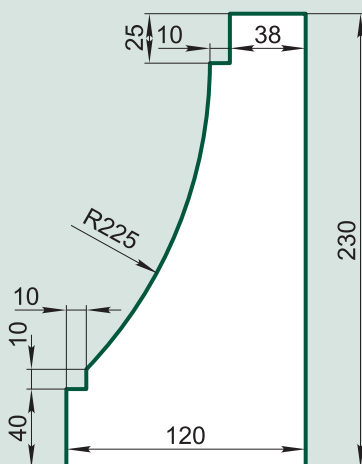


	L	
OO200X60A	200	24,5
OO230X60A	230	28,5
OO250X60A	250	31,1
OO260X60A	260	32,4
OO295X60A	295	37,1
OO600X60A	600	77,4
OO670X60A	670	86,6

### OO120X80F

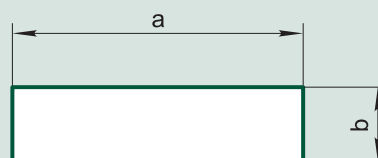
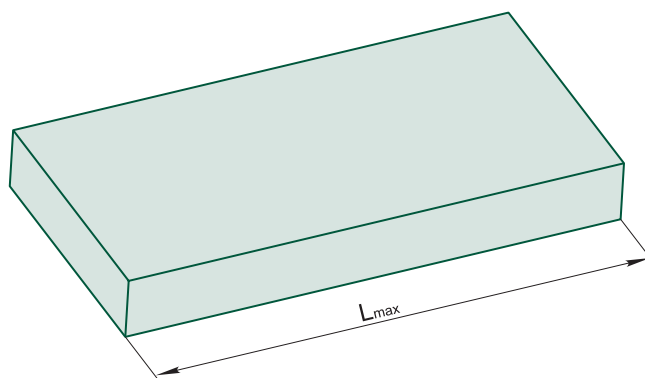


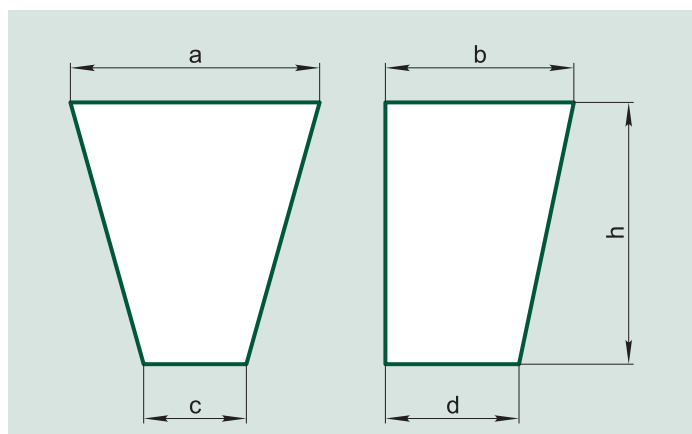
### OO230X120F



	a	b	L <sub>max</sub>	Масса погонного метра, кг
ОО80Х40	80	40	700	7
ОО115Х50	115	50	800	12.7
ОО130Х45	130	45	860	12.9
ОО130Х50	130	50	700	14.3
ОО140Х50	140	50	800	15.4
ОО150Х45	150	45	900	14.9
ОО150Х50	150	50	900	16.5
ОО160Х50	160	50	800	17.6
ОО180Х50	180	50	670	19.8
ОО190Х50	190	50	550	20.9
ОО200Х45	200	45	800	19.8
ОО214Х50	214	50	600	23.5
ОО220Х50	220	50	740	24.2
ОО220Х69	220	69	600	33.4
ОО235Х50	235	50	670	25.9
ОО240Х50	240	50	850	26.4
ОО240Х60	240	60	900	31.7
ОО250Х50	250	50	770	27.5
ОО250Х55	250	55	355	30.3
ОО250Х60	250	60	600	33
ОО250Х70	250	70	700	38.5
ОО280Х60	280	60	800	37
ОО295Х60	295	60	640	38.9
ОО350Х50	350	50	680	38.5
ОО350Х70	350	70	800	53.9
ОО370Х50	370	50	600	40.7
ОО390Х60	390	60	830	51.5
ОО400Х50	400	50	780	44
ОО500Х60	500	60	600	66
ОО580Х60	580	60	700	76.6

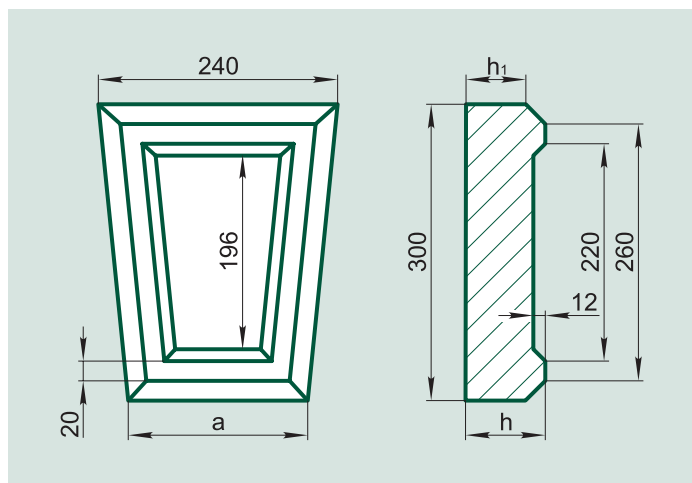
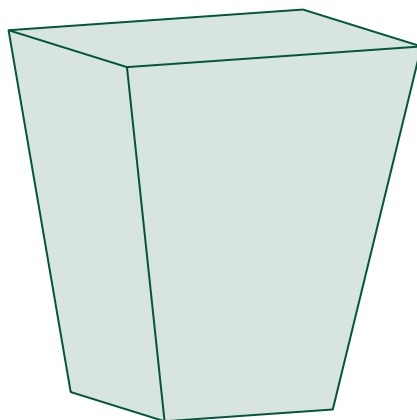
## Откосы прямые





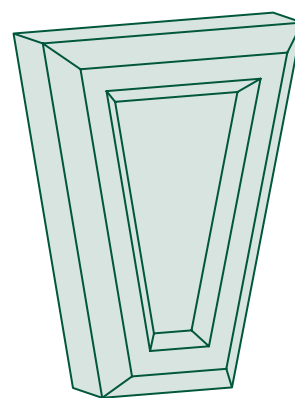
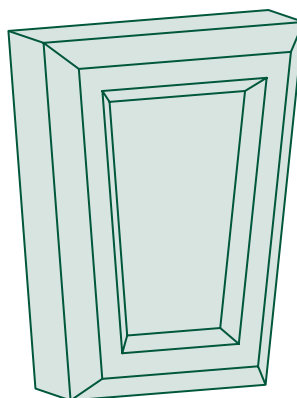
	a	b	c	d	h	
<b>FZ20M</b>	175	145	100	85	200	7,95
<b>FZ27M</b>	250	189	103	134	265	17,1
<b>FZ22BZ</b>	180	60	120	60	220	4,1
<b>FZ53M</b>	300	85	200	85	530	25,8

**FZxxM, FZ22BZ**

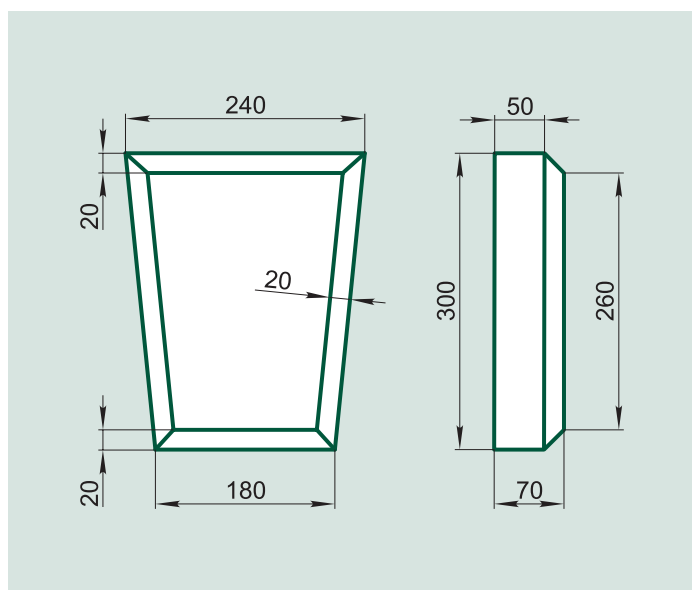


**FZ30F**

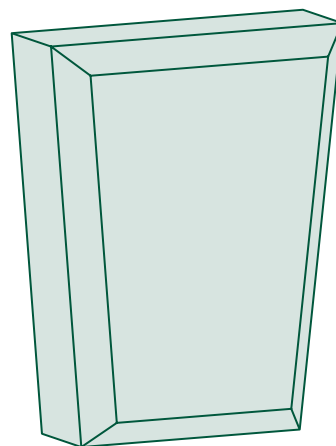
**FZ30U**

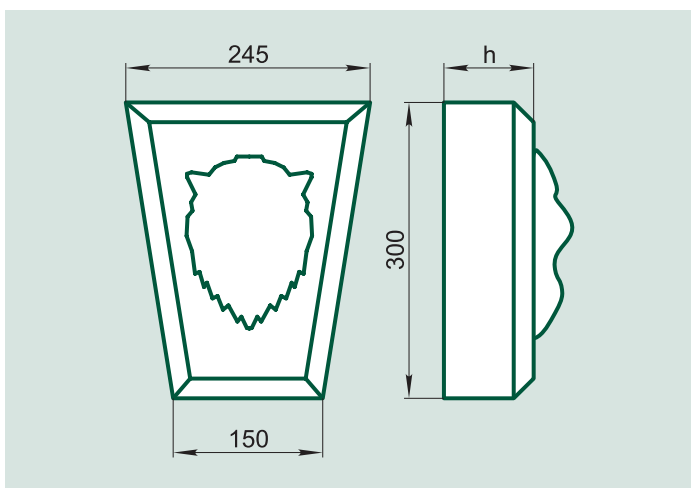


	a	h	h <sub>1</sub>	
<b>FZ30F</b>	180	80	60	8,9
<b>FZ30U</b>	120	70	50	8,1



**FZ30B**

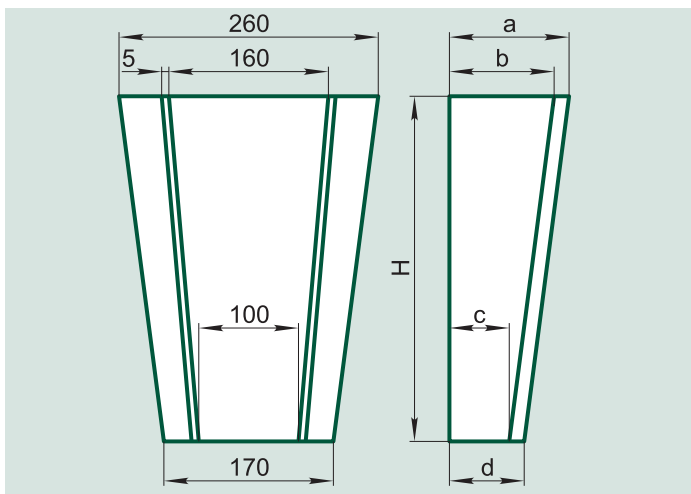




**FZ30L9, FZ30L5**

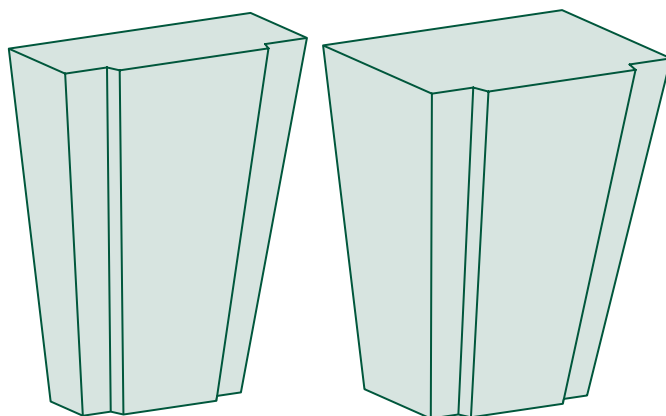


	h	
<b>FZ30L5</b>	50	9,8
<b>FZ30L9</b>	90	13

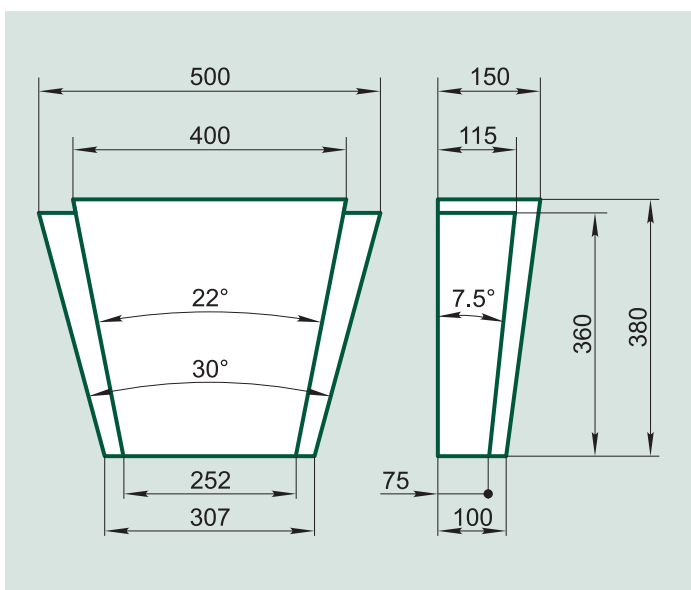


**FZ35N**

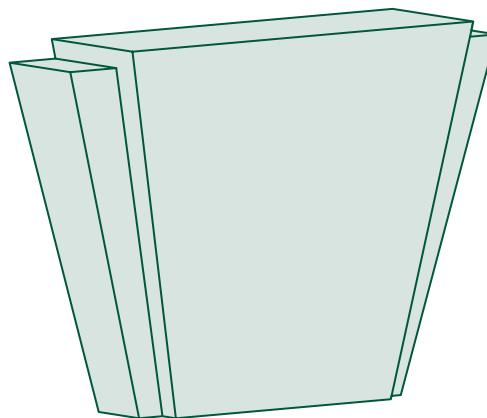
**FZ35NM**



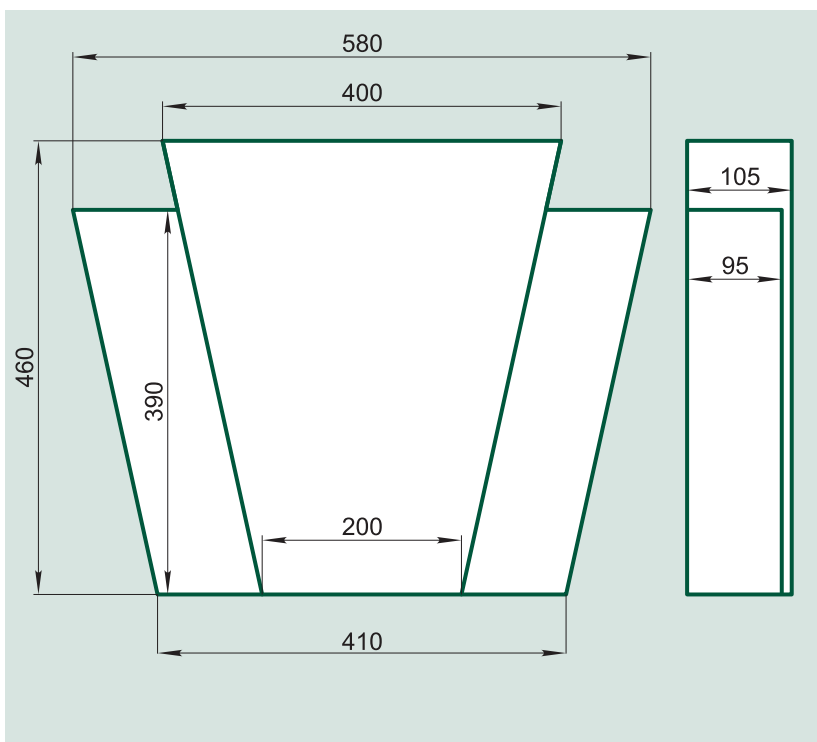
	H	a	b	c	d	
<b>FZ35N</b>	350	120	105	60	75	14,8
<b>FZ35NM</b>	345	225	205	125	140	29,2



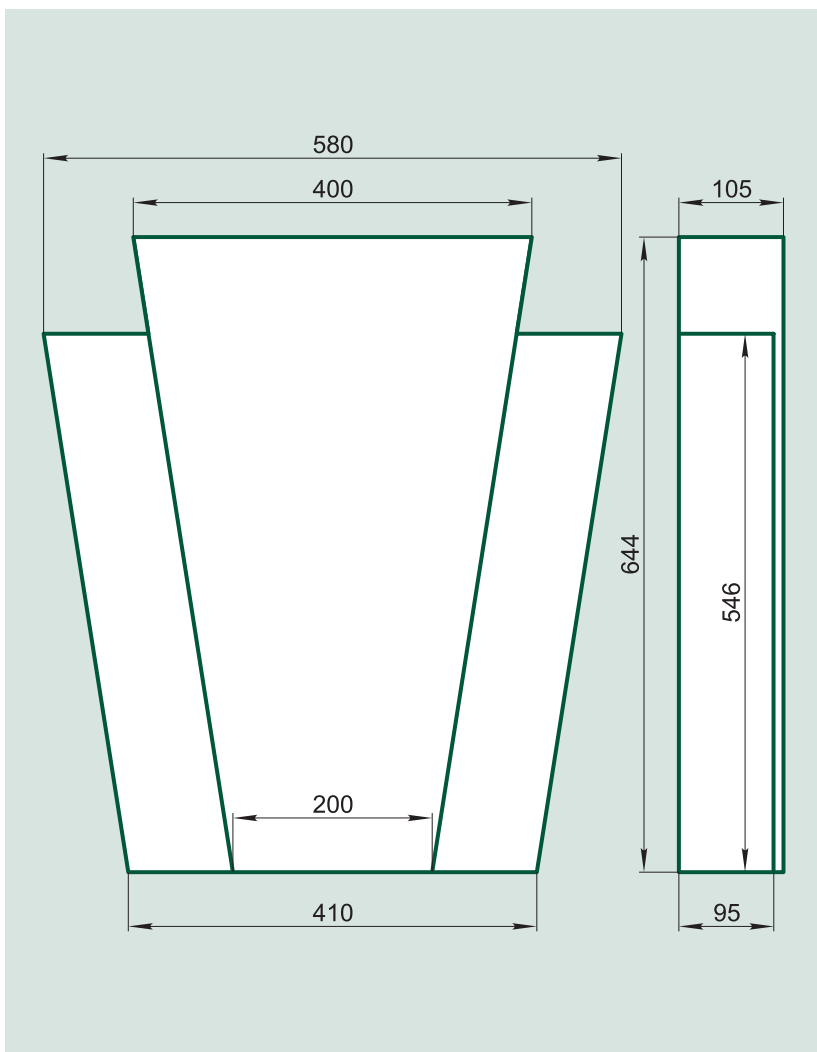
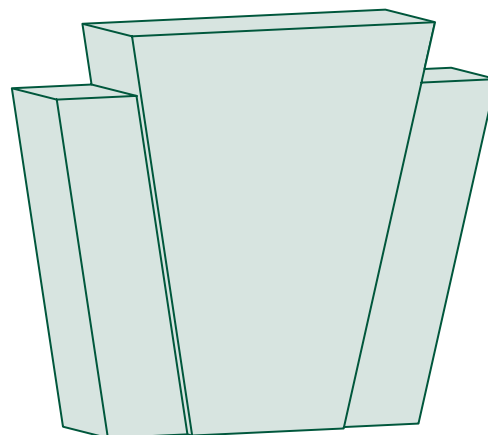
**FZ38A**



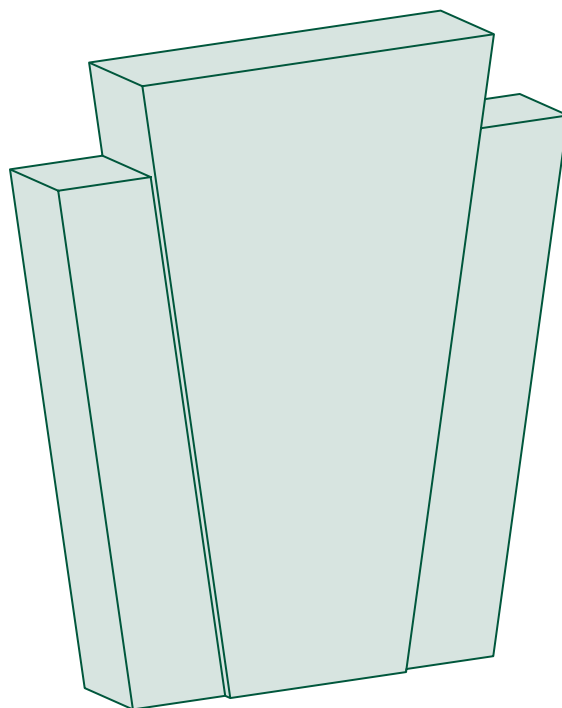


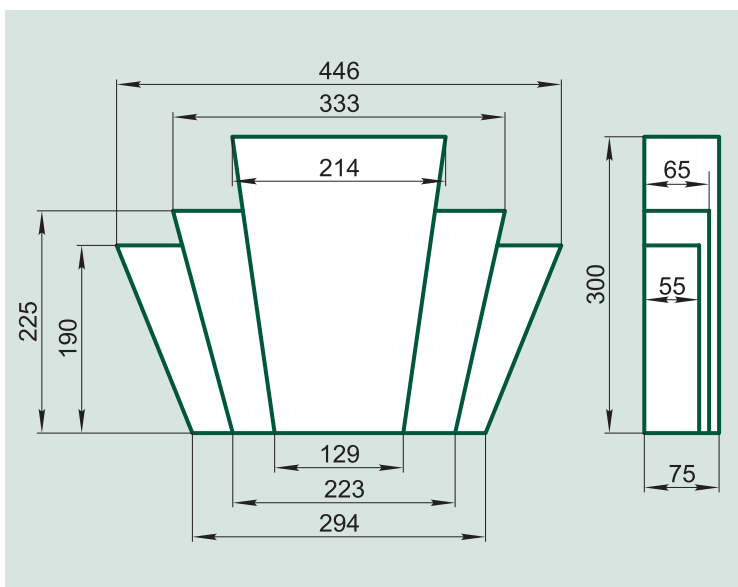


**FZ46V**

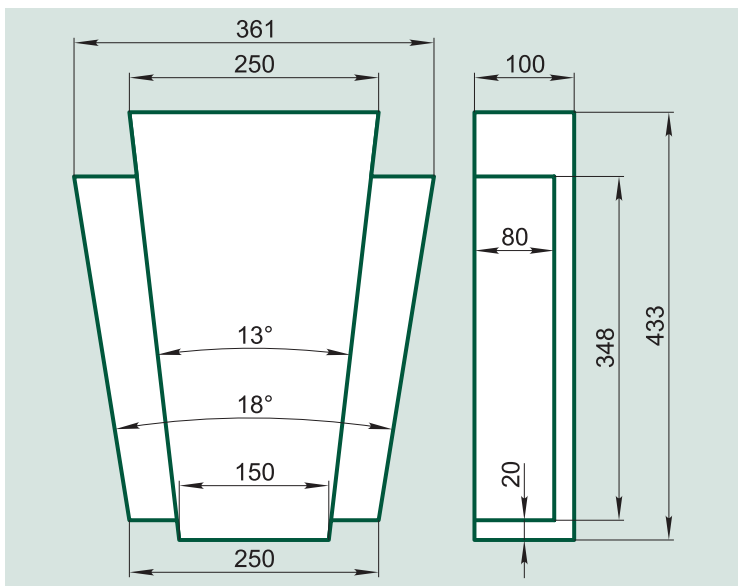
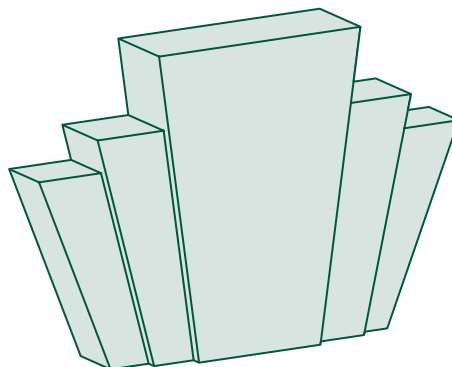


**FZ64V**

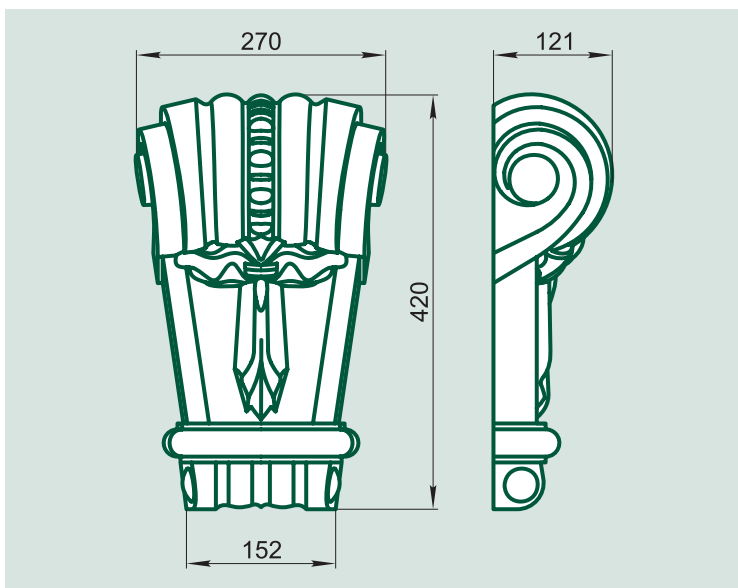
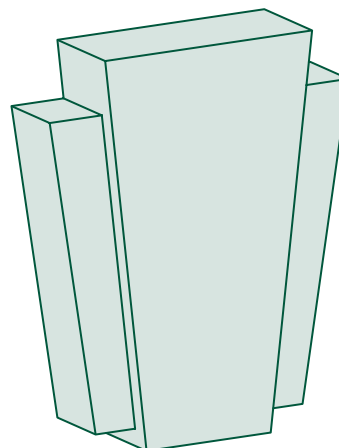




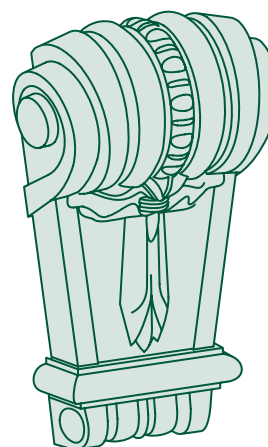
**FZ30W**

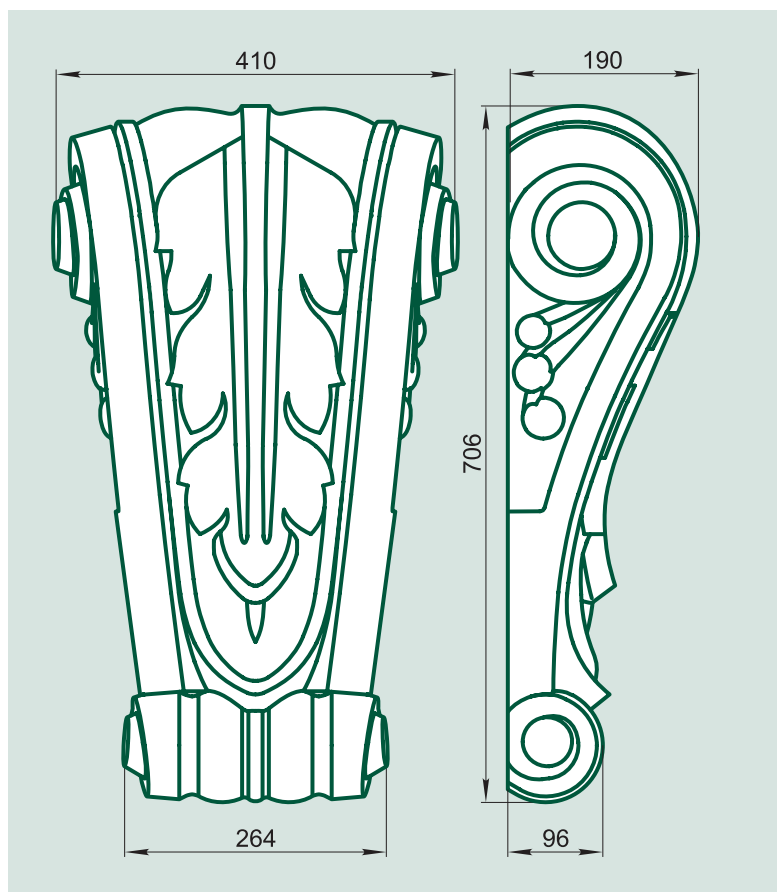


**FZ43Y**

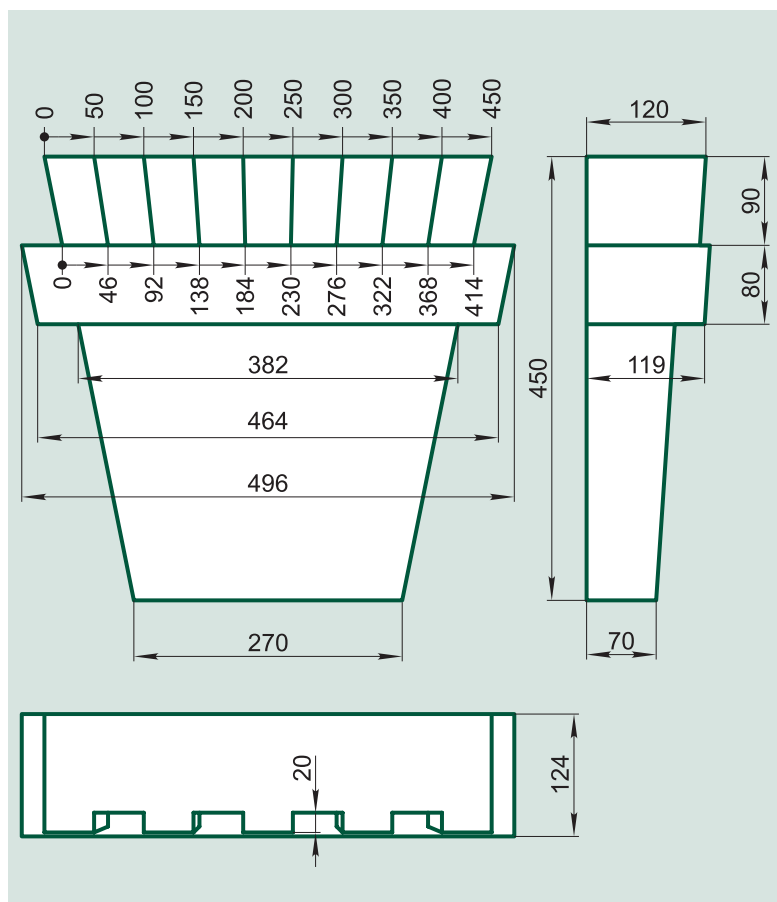
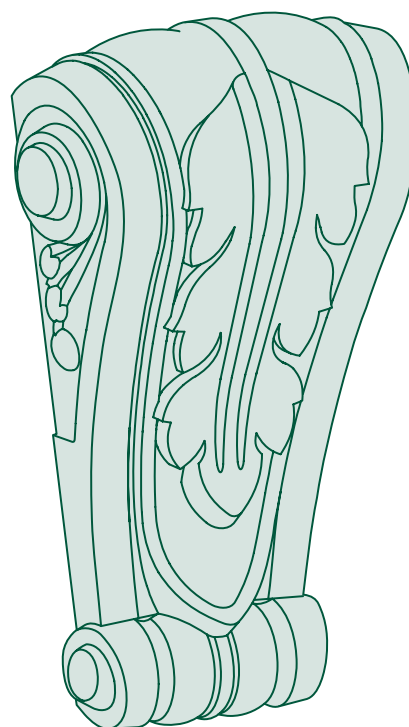


**FZ42L**

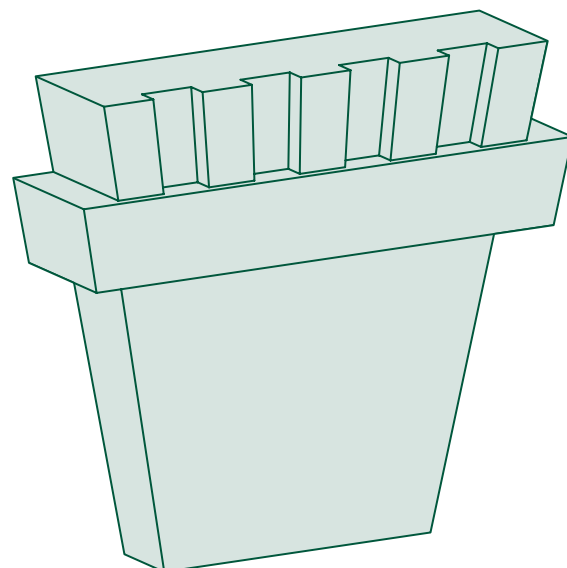


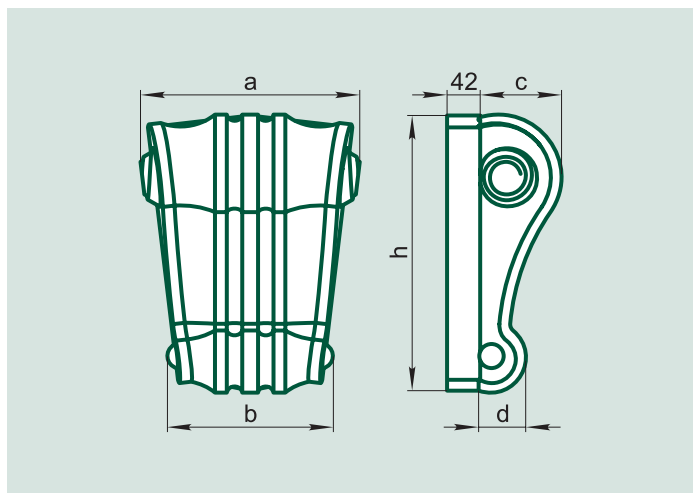


**FZ69L**



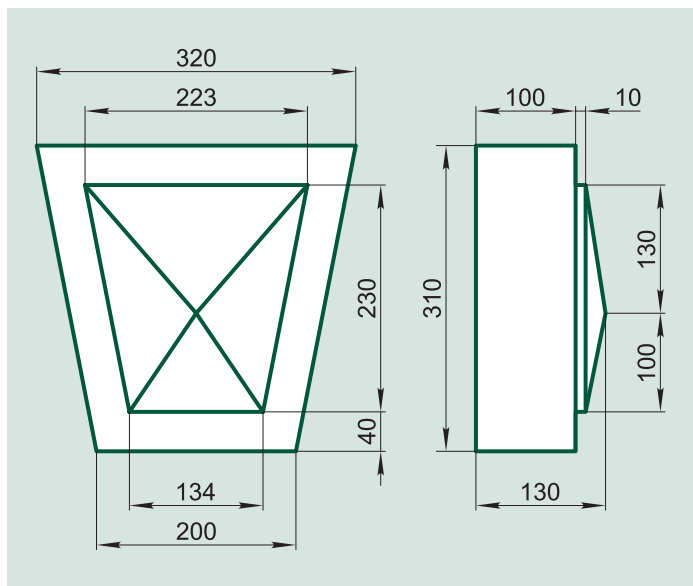
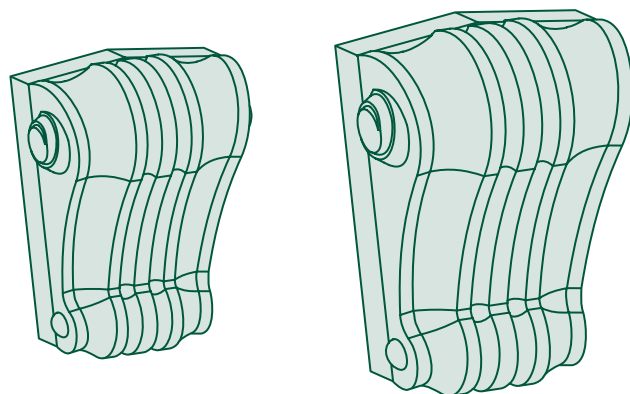
**FZ45ZZ**



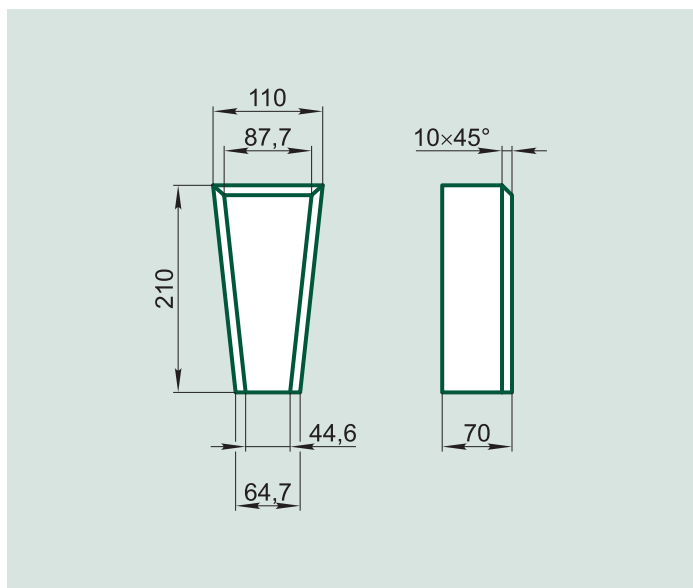
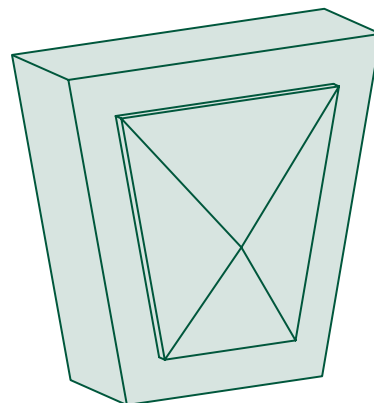


	a	b	c	d	h	
<b>FZ28S</b>	222	143	82	46	282	9,5
<b>FZ35S</b>	278	179	103	58	353	17

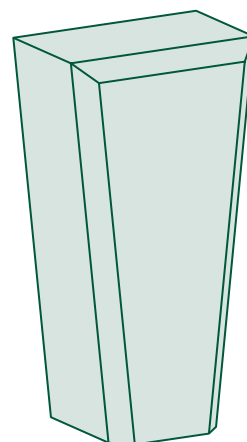
**FZ28S** | **FZ35S**



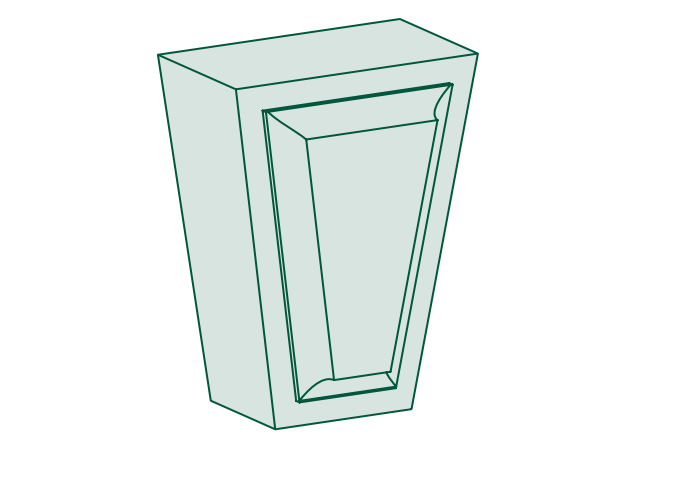
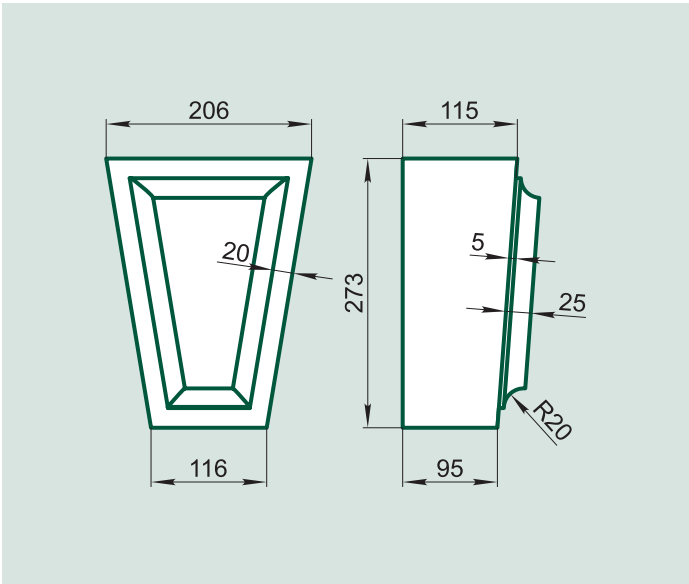
**FZ31ST**



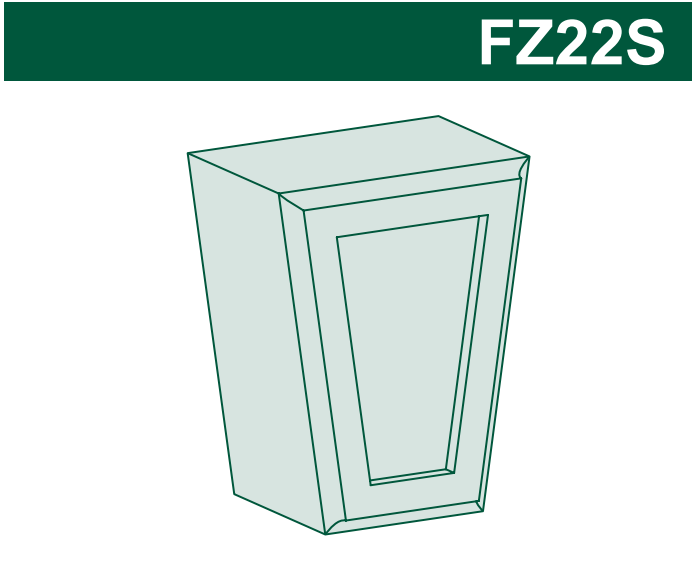
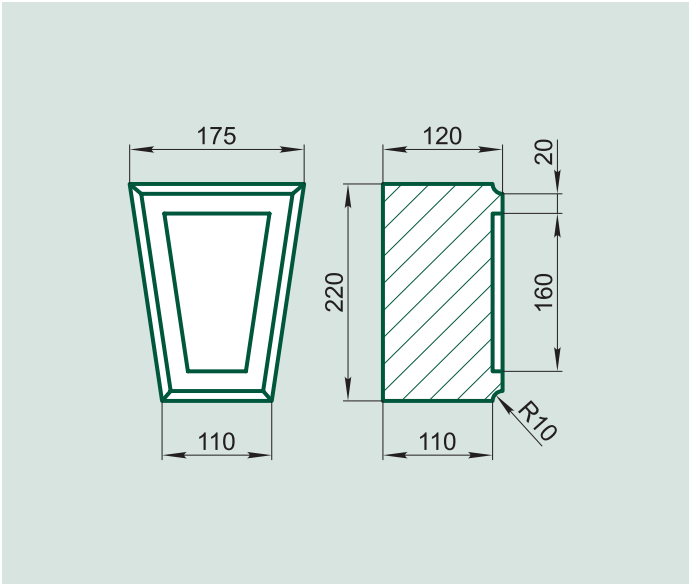
**FZ21B**



**FZ27S**

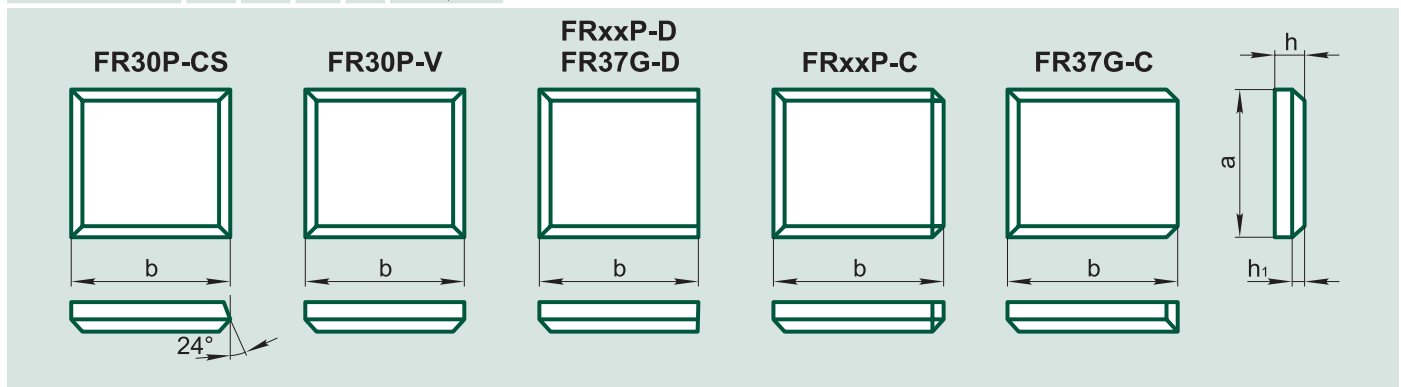
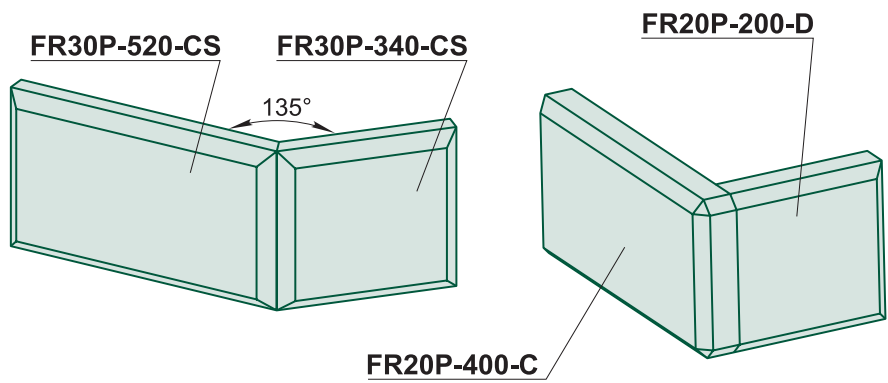


**FZ22S**



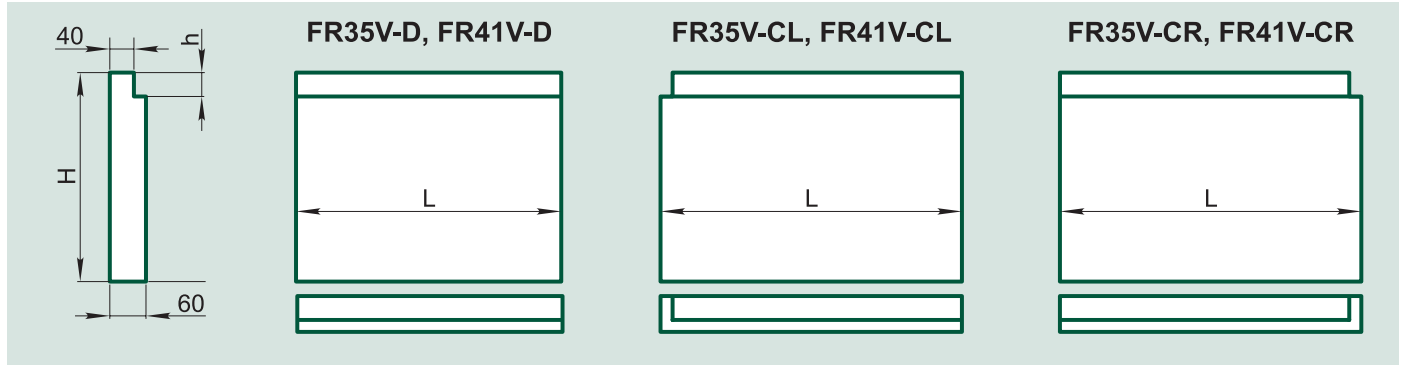
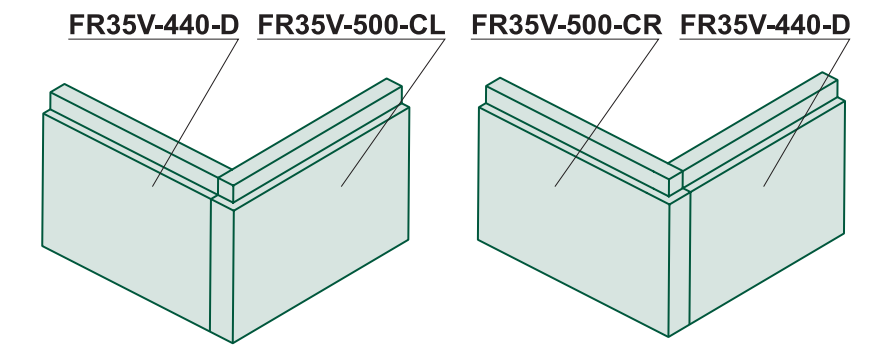
	a	b	h	h <sub>1</sub>	
FR20P-200-C	200	200	50	15	4,4
FR20P-385-C	200	385	50	15	8,2
FR20P-400-C	200	400	50	15	8,8
FR27P-320-D	276	320	50	20	9,4
FR27P-370-C	276	370	50	20	10,6
FR30P-320-D	300	320	60	25	12,7
FR30P-520-C	300	520	60	25	20,6
FR30P-520-CS	300	520	60	25	19,3
FR30P-320-CS	300	320	60	25	11,7
FR30P-245-C	300	245	60	25	8,9
FR30P-340-C	300	340	60	25	12,6
FR30P-V-245	300	245	60	25	9
FR30P-V-340	300	340	60	25	12,6
FR30P-V-520	300	520	60	25	19,5
FR37G-577-C	370	700	123	25	68,7
FR37G-360-C	370	483	123	25	47,3
FR37G-360-D	370	360	123	25	35,3
FR37G-577-D	370	577	123	25	56,7

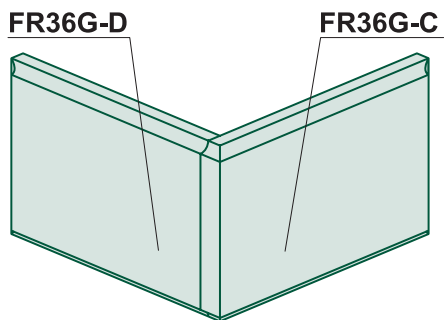
## FRxxP, FR37G



	H	L	h	
FR35V-440-D	350	440	40	20,3
FR35V-480-D	350	480	40	22,1
FR35V-800-D	350	800	40	37
FR35V-500-CL	350	500	40	23,1
FR35V-500-CR	350	500	40	23,1
FR35V-540-CL	350	540	40	24
FR35V-540-CR	350	540	40	24
FR35V-860-CL	350	860	40	40
FR35V-860-CR	350	860	40	40
FR41V-350-D	406	350	30	18,3
FR41V-700-D	406	700	30	36,6
FR41V-350-CL	406	350	30	18,2
FR41V-350-CR	406	350	30	18,2
FR41V-700-CL	406	700	30	36,5
FR41V-700-CR	406	700	30	36,5

## FRxxV

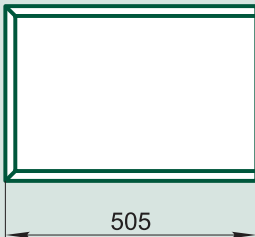




FR36G-D	18,8
FR36G-C	20,6

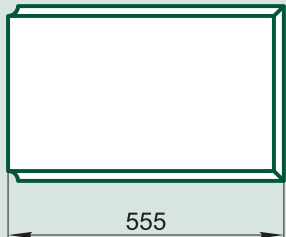
### FR36G

FR36G-D

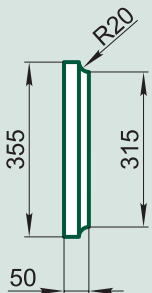


505

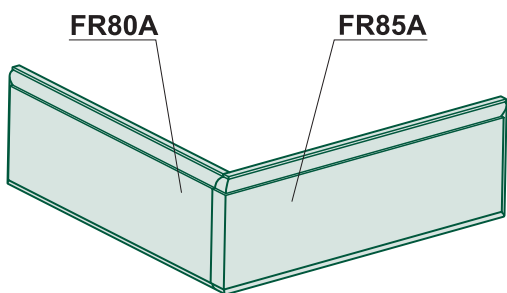
FR36G-C



555

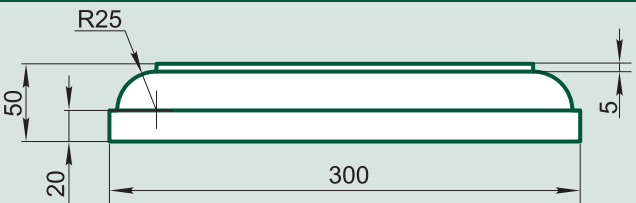


R20  
355  
315  
50

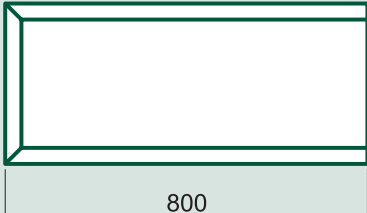


FR80A	24,9
FR85A	26,4

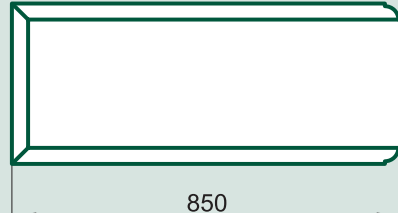
### FR80A, FR85A



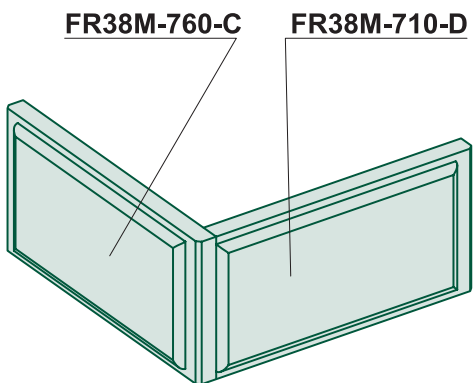
R25  
50  
20  
300  
5



800

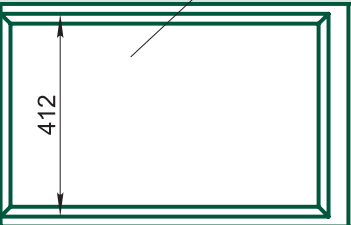


850



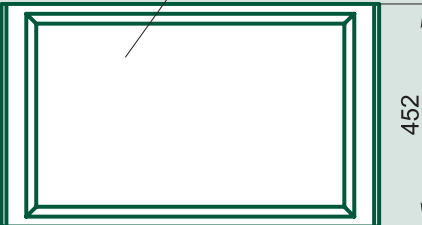
### FR45M, FR38M

FR45M-710-D



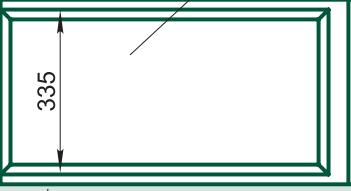
412  
710

FR45M-760-C



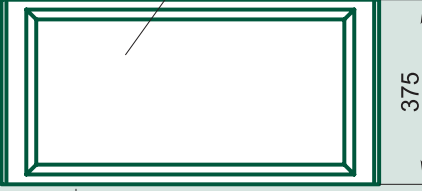
452  
760

FR38M-710-D

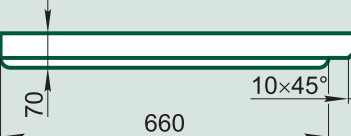


335  
660

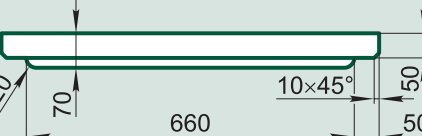
FR38M-760-C



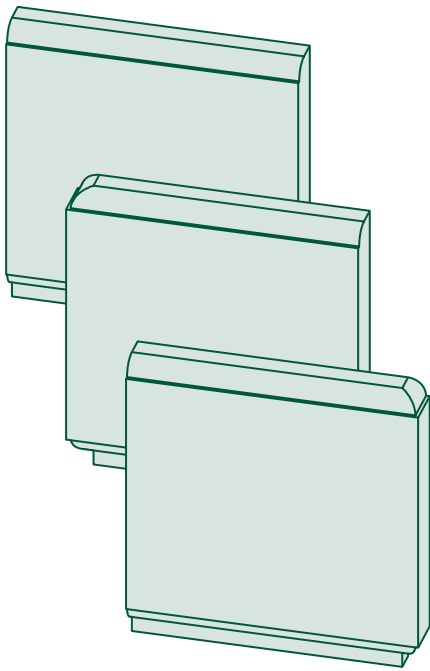
375  
660



70  
50  
10×45°  
50  
R20

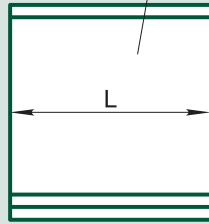


70  
50  
10×45°  
50

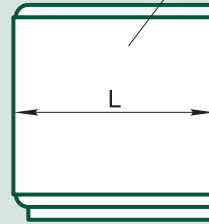


## FR43F, FR47F

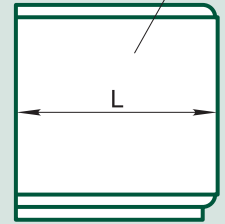
FR43F-D  
FR47F-D



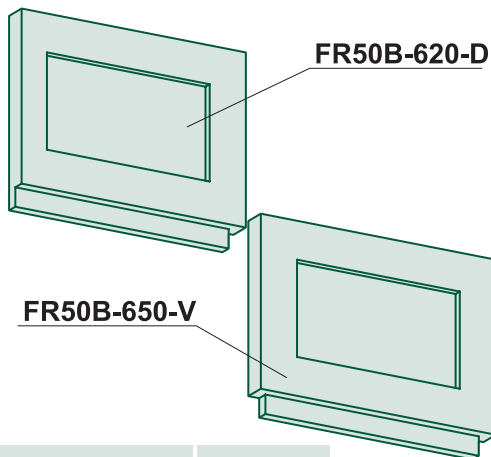
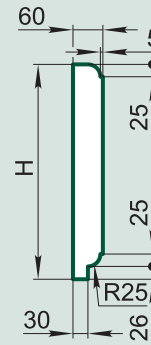
FR43F-CL  
FR47F-CL



FR43F-CR  
FR47F-CR



	H	L	
FR43F-750-D	435	750	40,9
FR43F-810-CL	435	810	44,1
FR43F-810-CR	435	810	44,1
FR43F-405-CL	435	405	22
FR43F-405-CR	435	405	22
FR47F-405-CR	472	405	24
FR47F-810-CR	472	810	48,1
FR47F-850-D	472	850	50,5

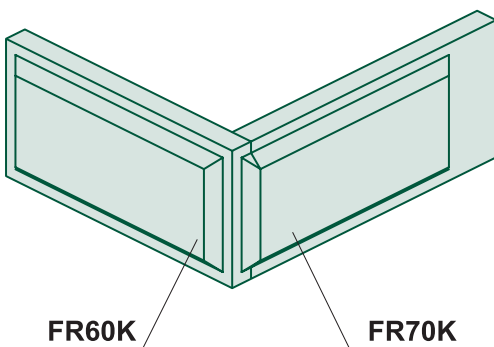
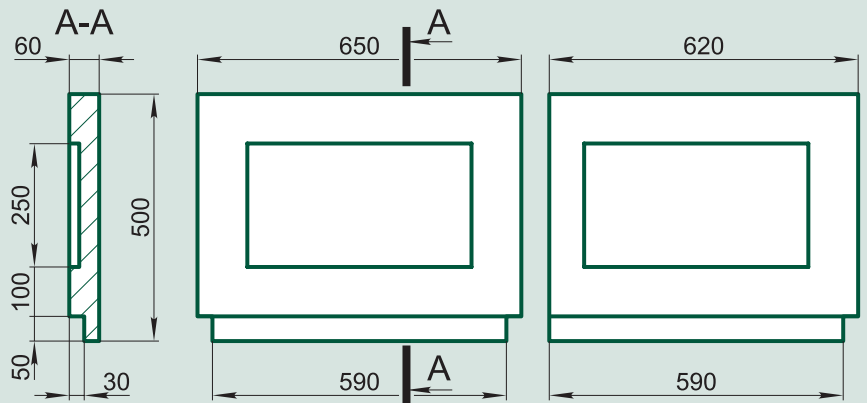


FR50B-620-D

FR50B-650-V

FR50B-650-V	35,6
FR50B-620-D	33,8

## FR50B

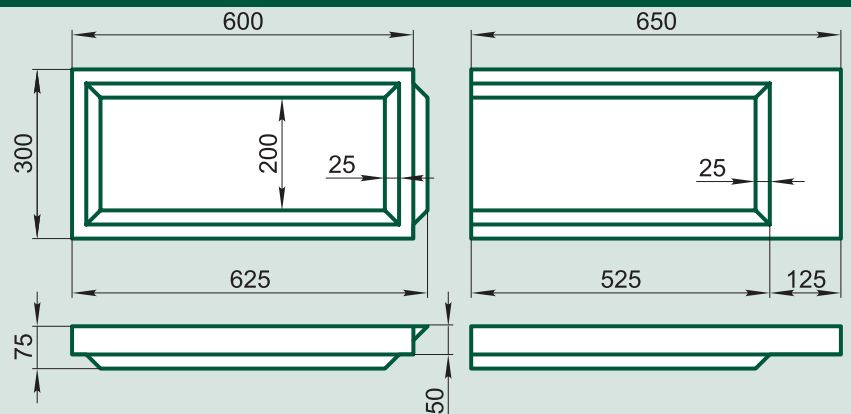


FR60K

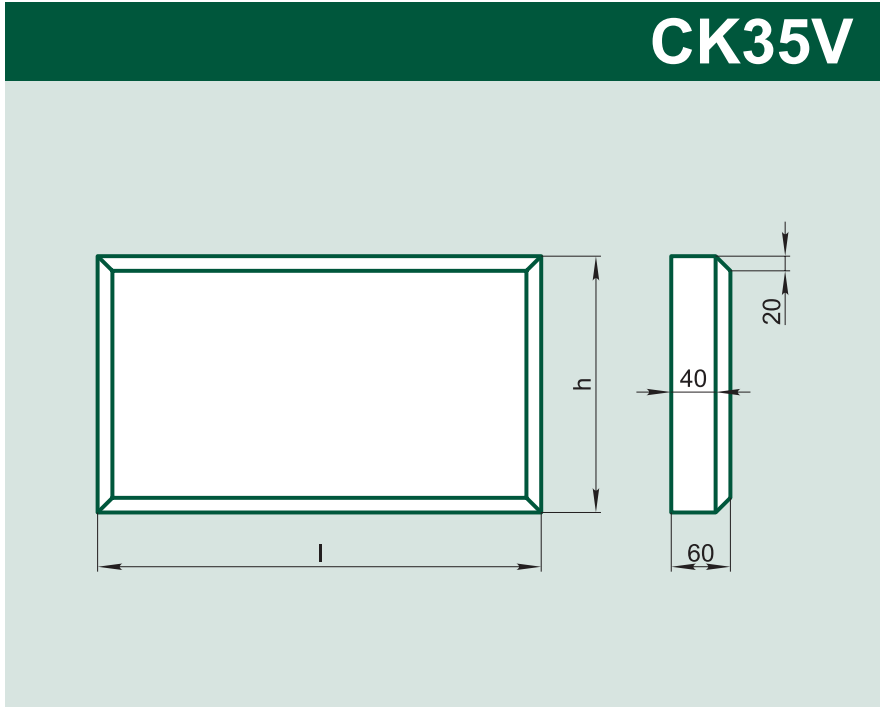
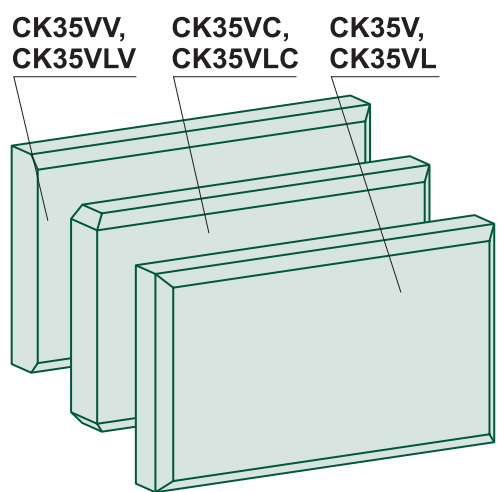
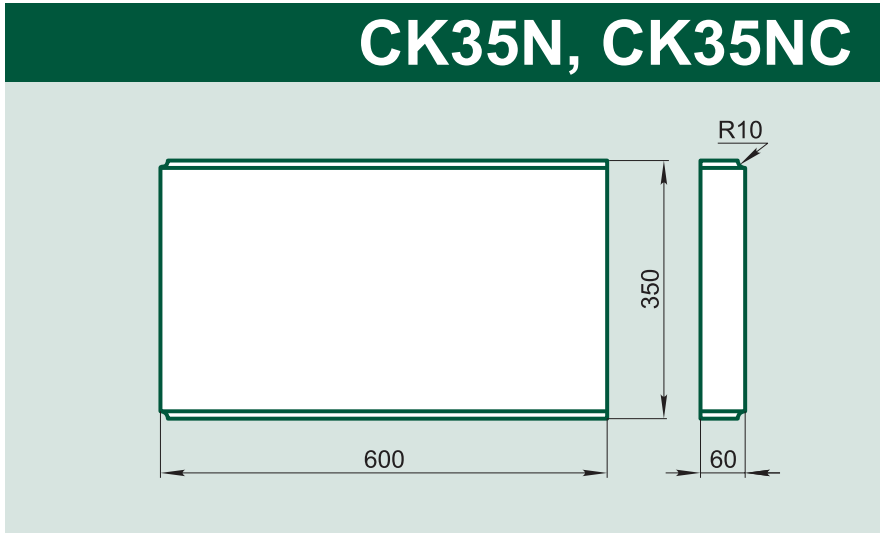
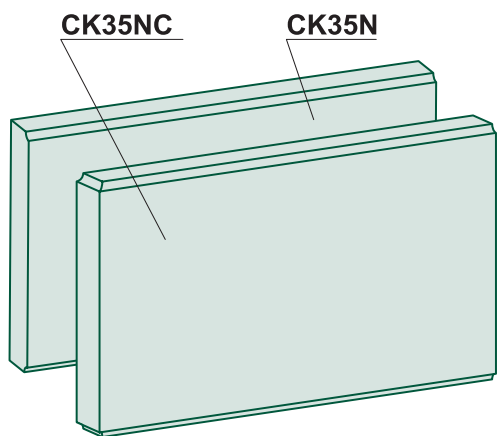
FR70K

FR60K	26,5
FR70K	27,8

## FR60K, FR70K

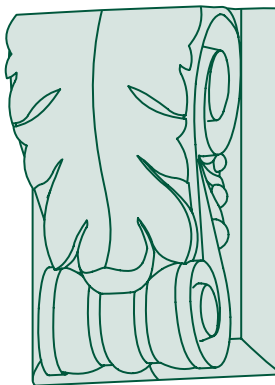
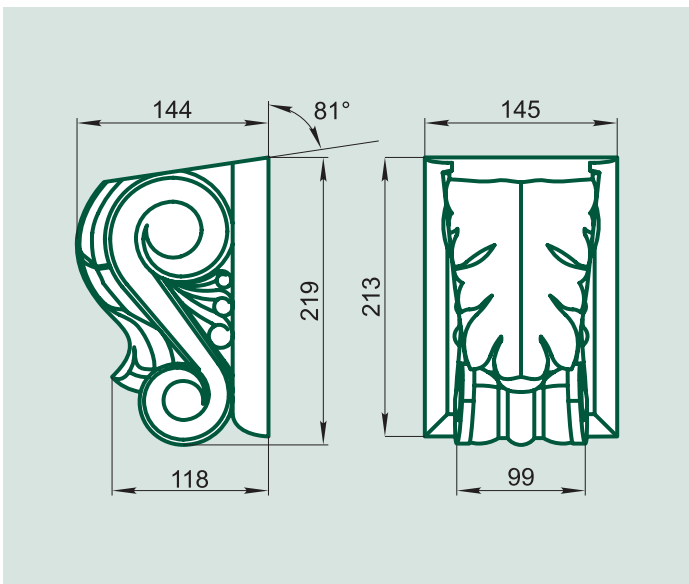




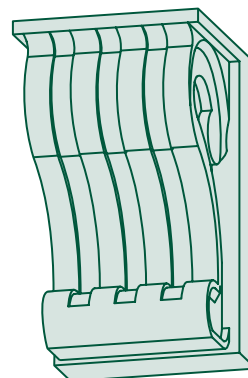
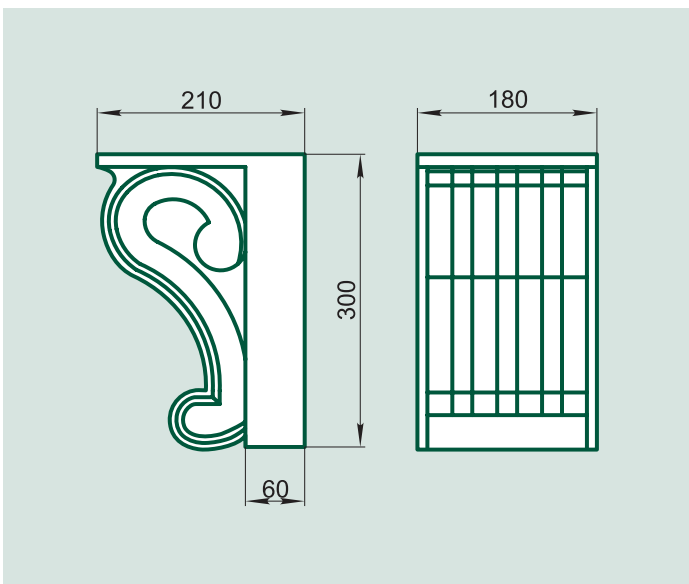


	h	l	
CK35V	350	600	27,7
CK35VC	350	600	27,8
CK35VV	350	600	27,9
CK35VL	350	300	13,8
CK35VLC	350	300	13,9
CK35VLV	350	300	14

**FT14B**

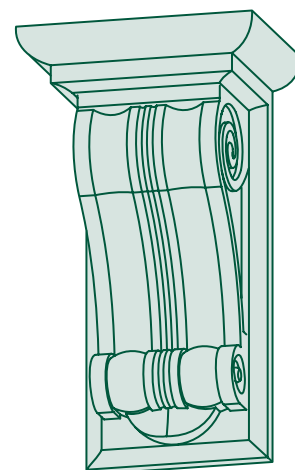
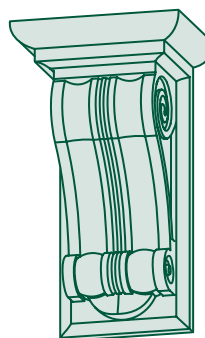
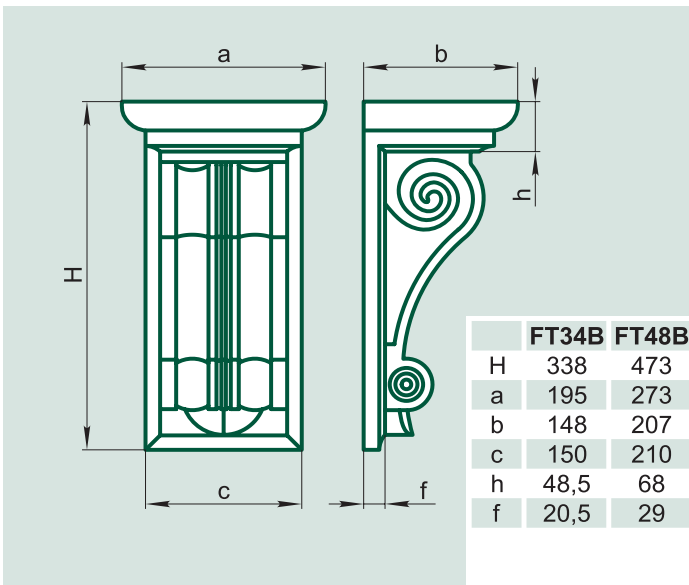


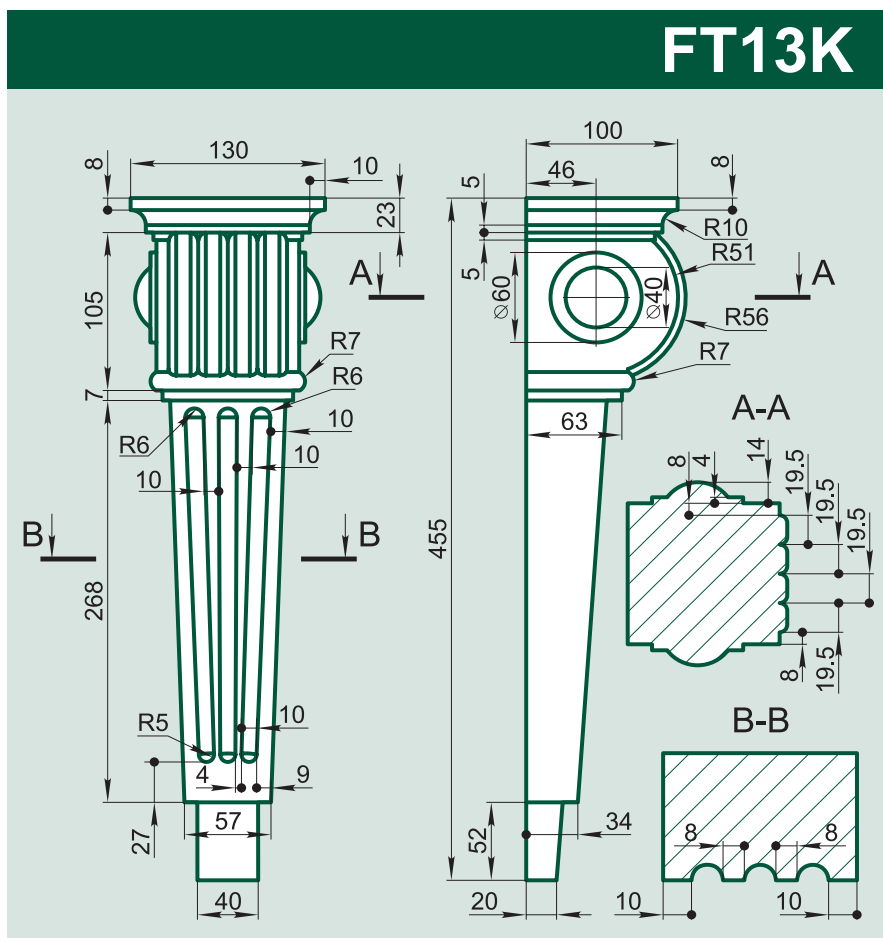
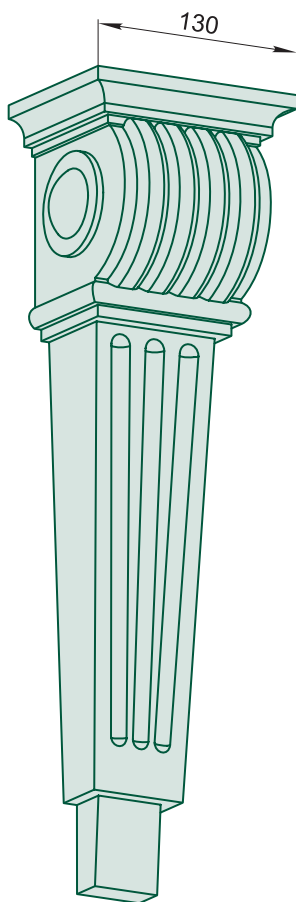
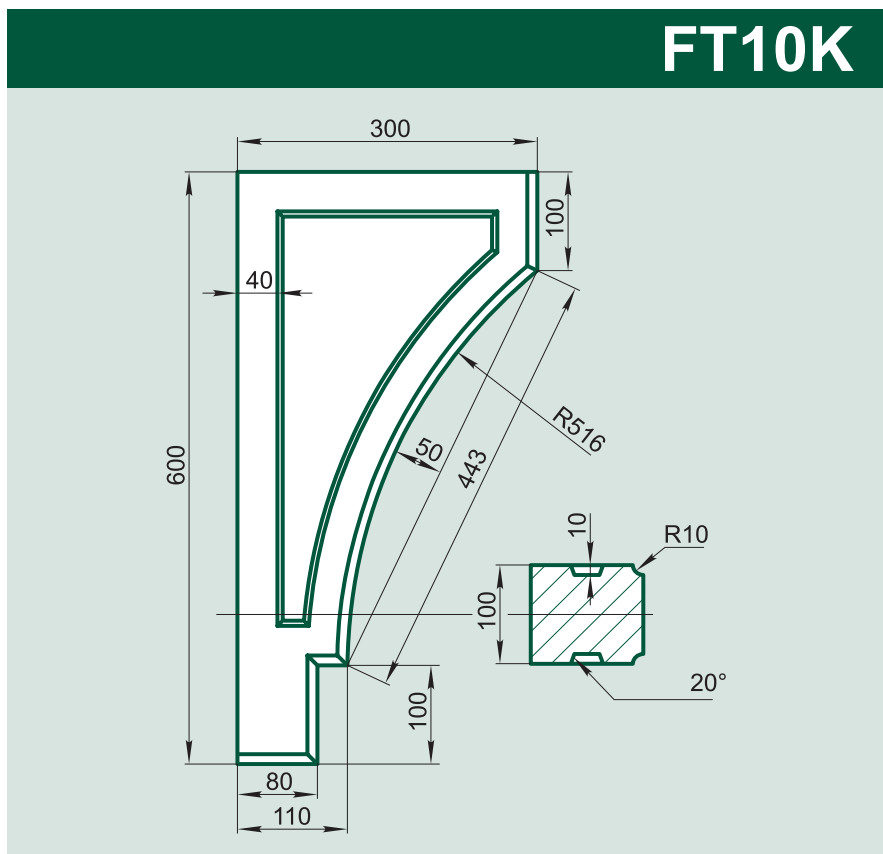
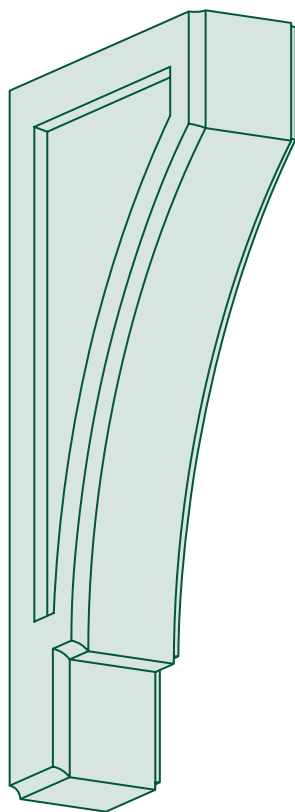
**FT18A**

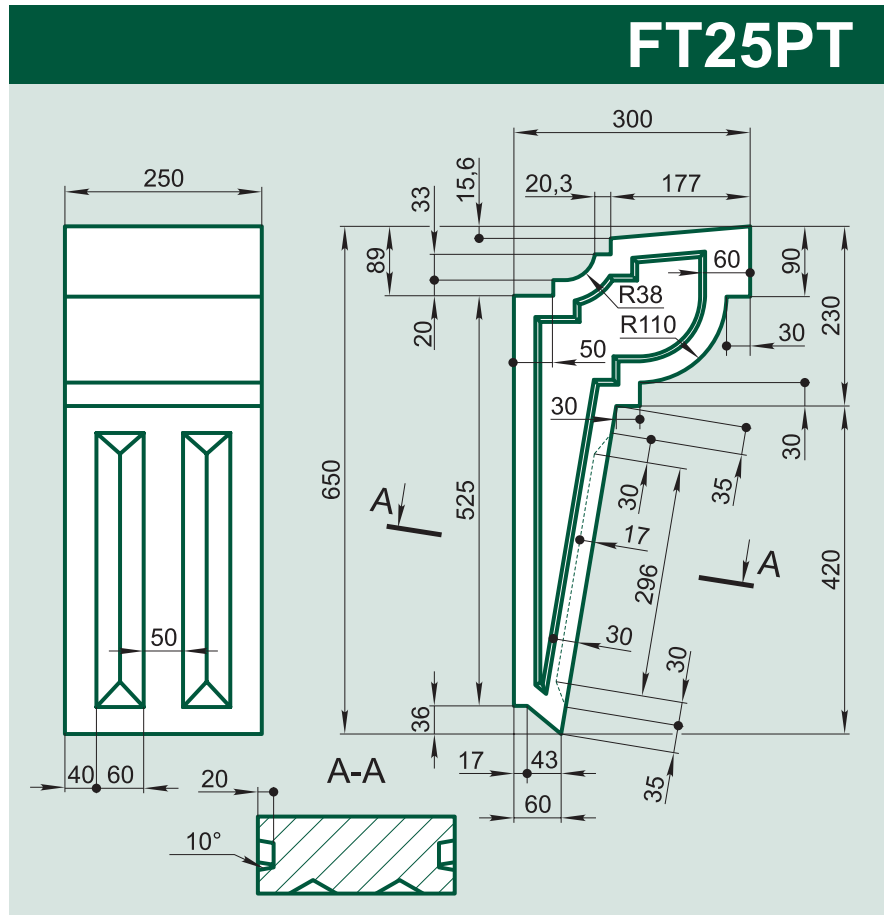
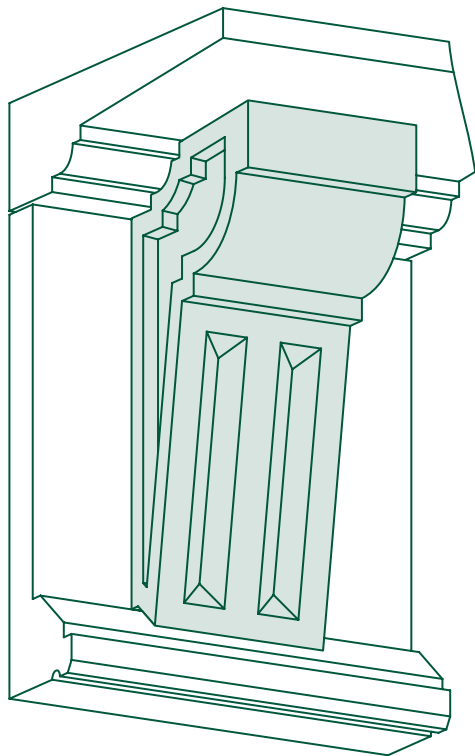
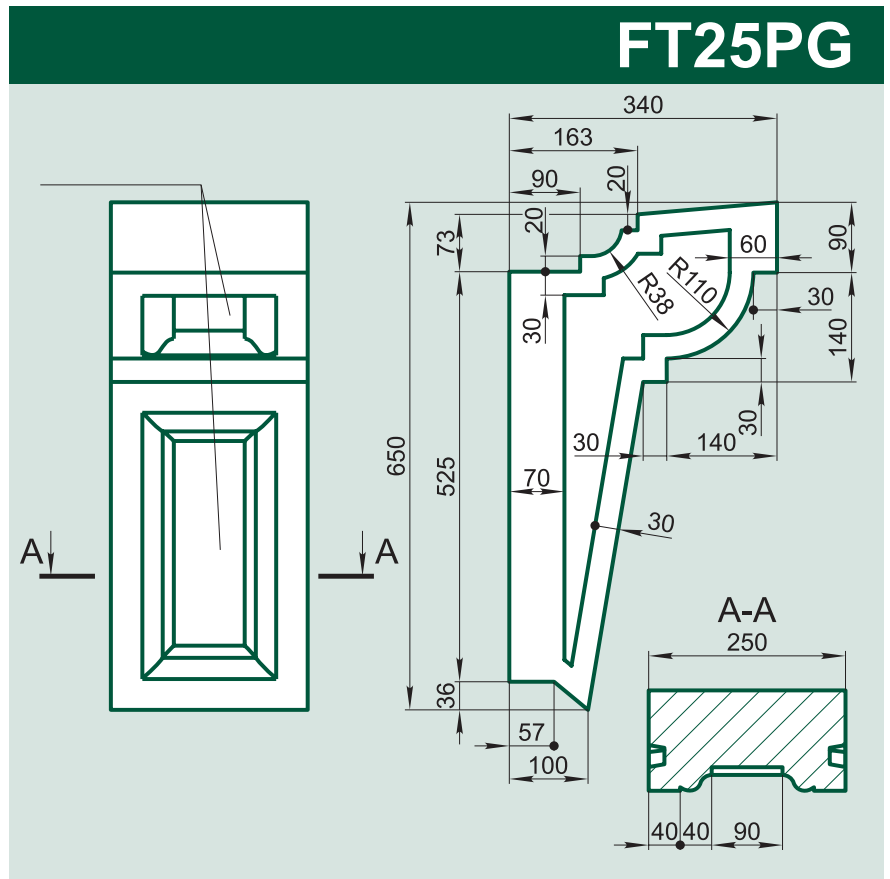
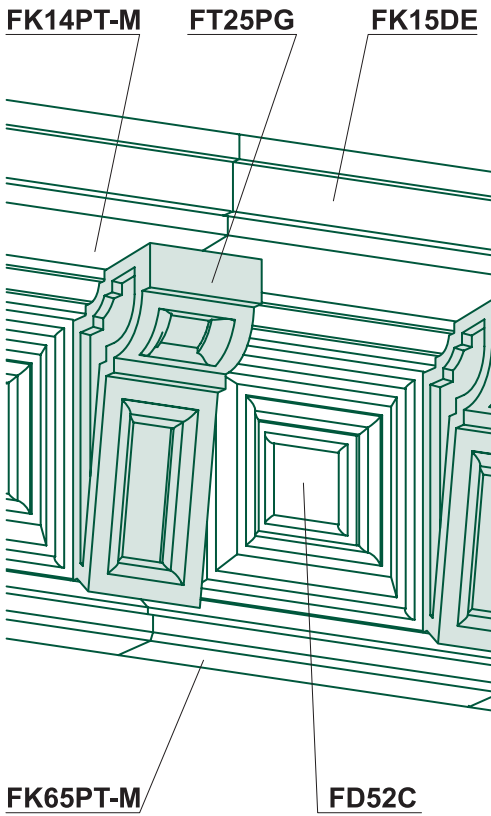


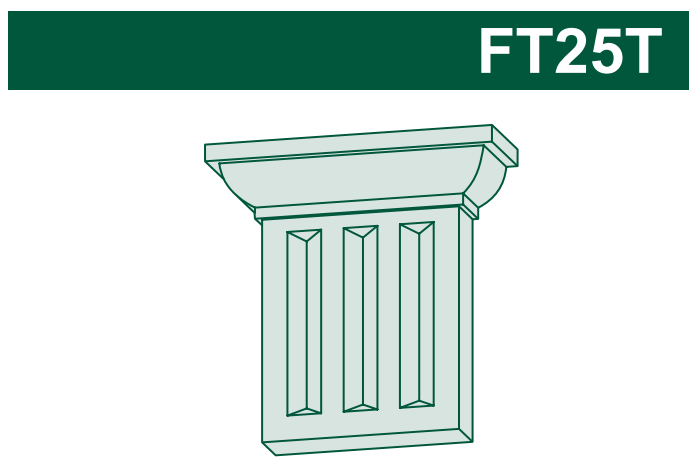
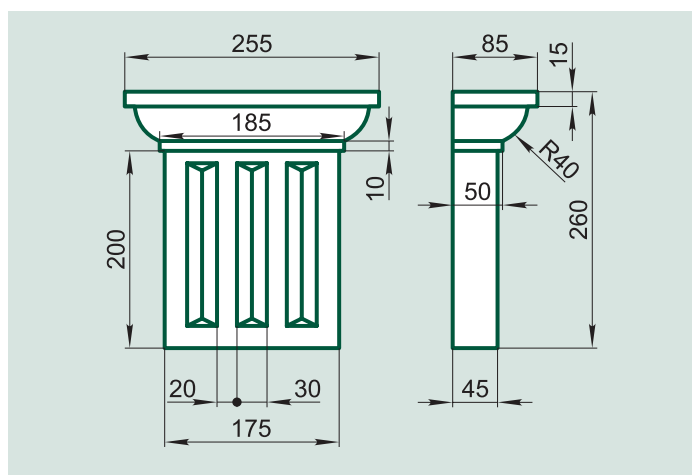
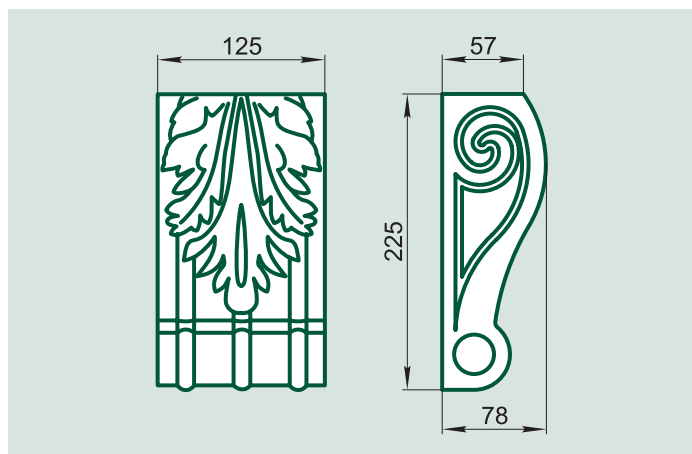
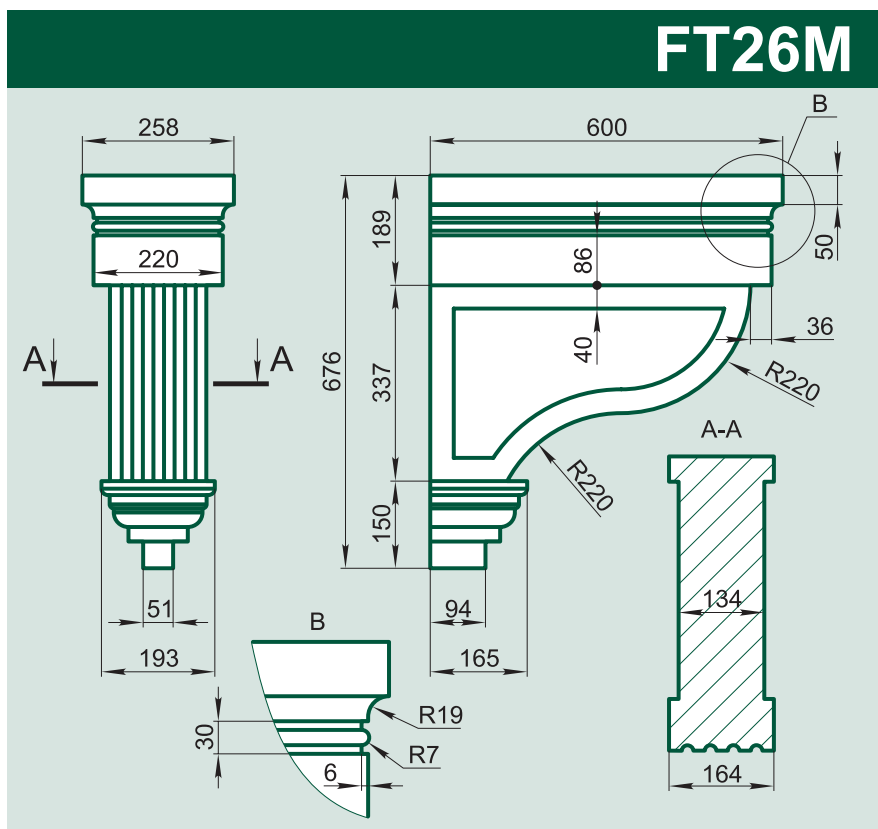
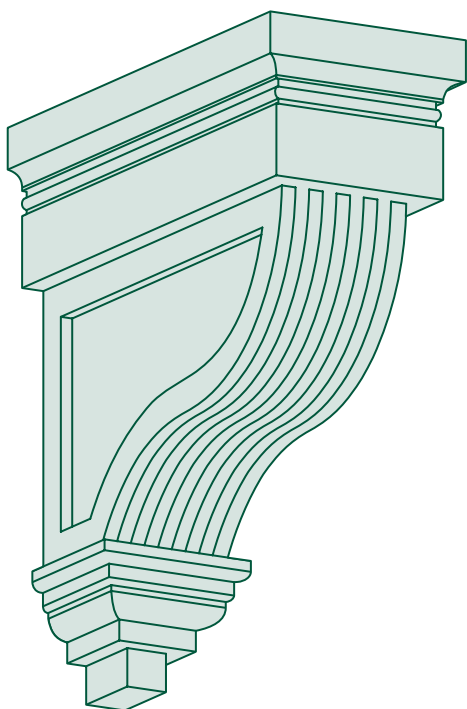
**FT34B**

**FT48B**







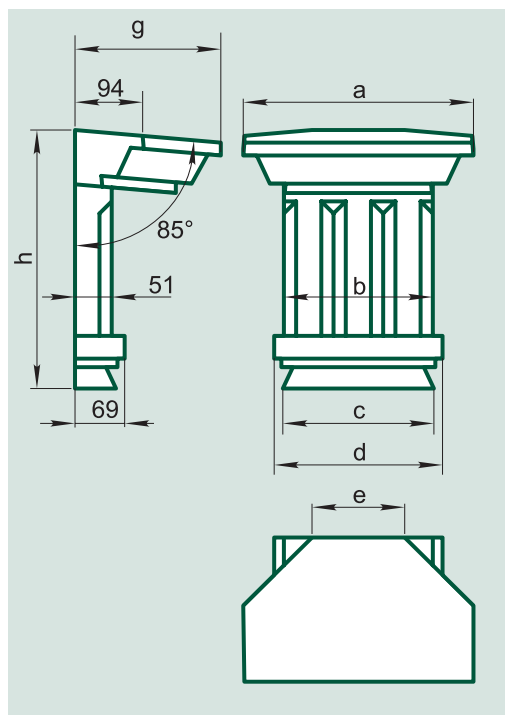


# FG36B, FG43A

FK13T-1

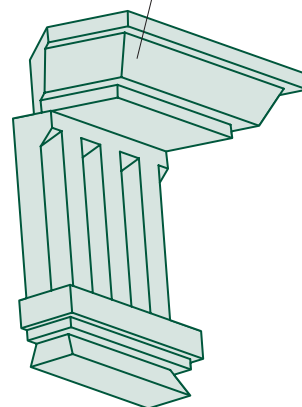
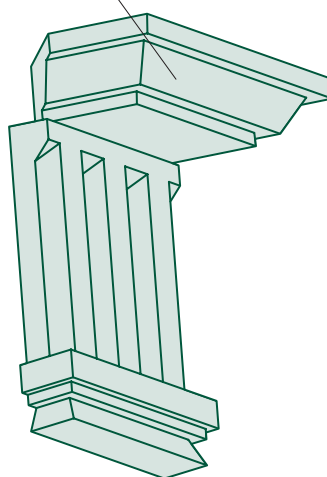
FG36B

FK13T-2

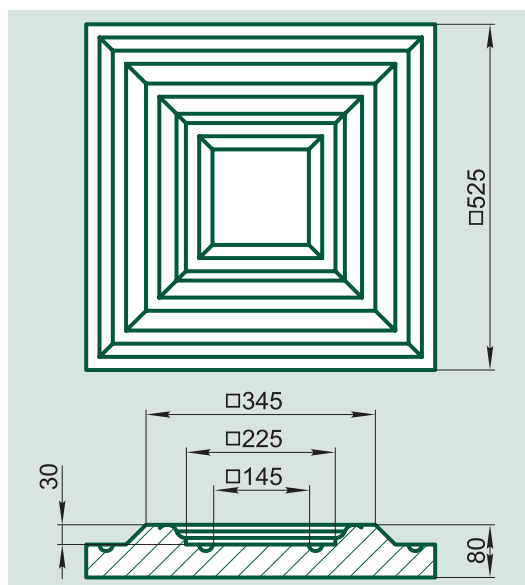


FG43A

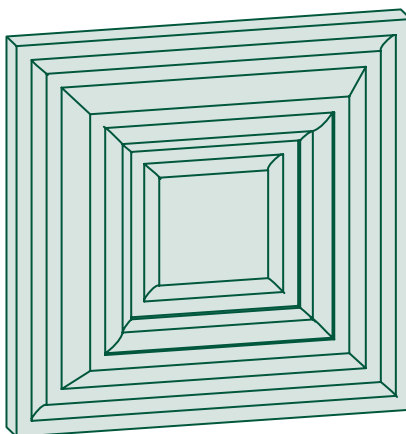
FG36B



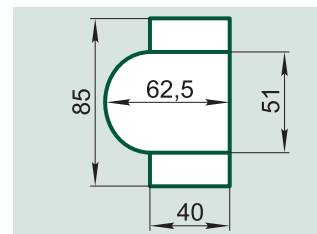
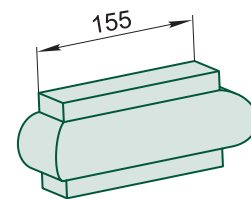
	a	b	c	d	e	g	h	
<b>FG36B</b>	320	207	205	230	129	205	370	14,3
<b>FG43A</b>	355	235	230	260	138	220	440	18,4



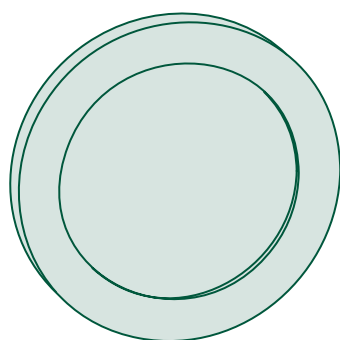
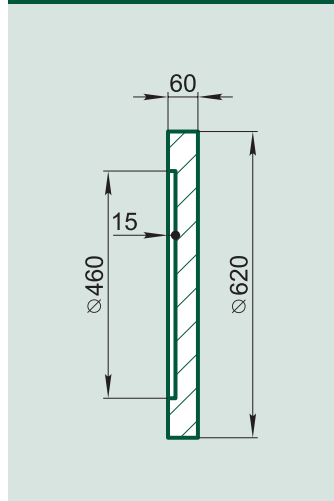
**FD52C**



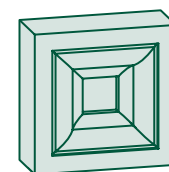
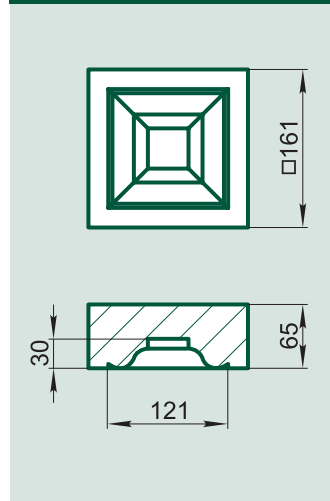
**FD155A**



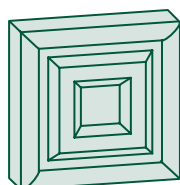
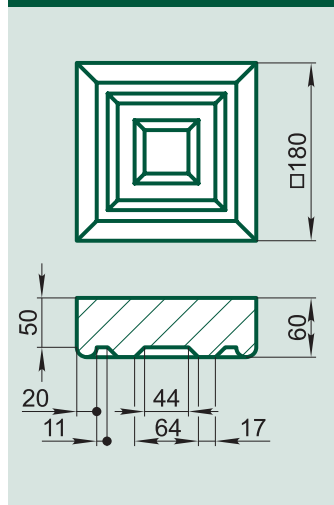
**FF62VR**



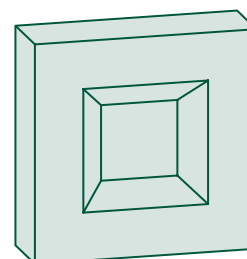
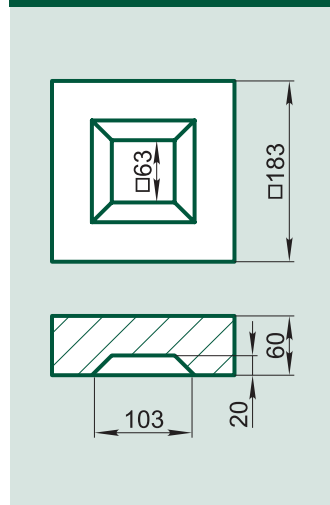
**FD16G**

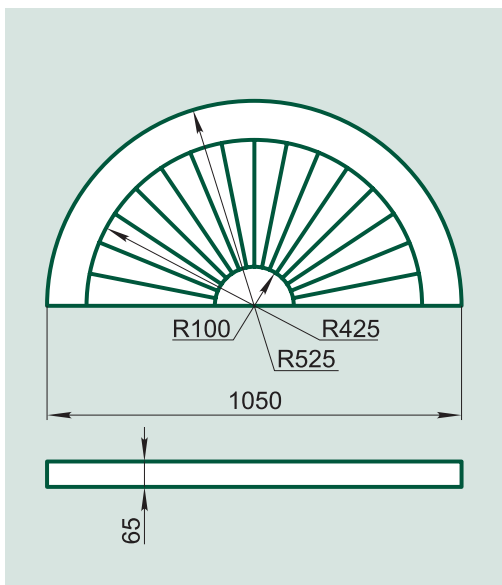


**FD18S**

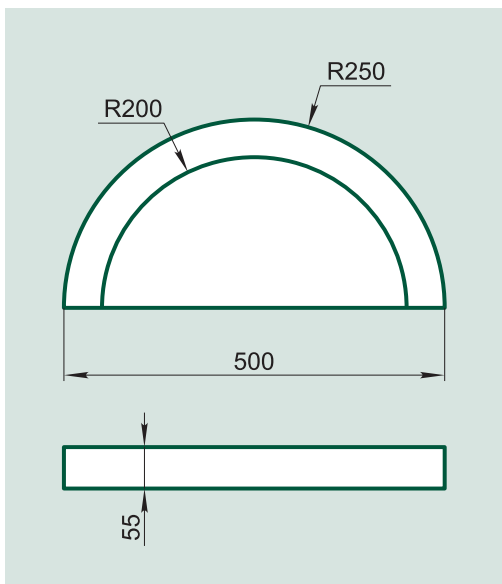
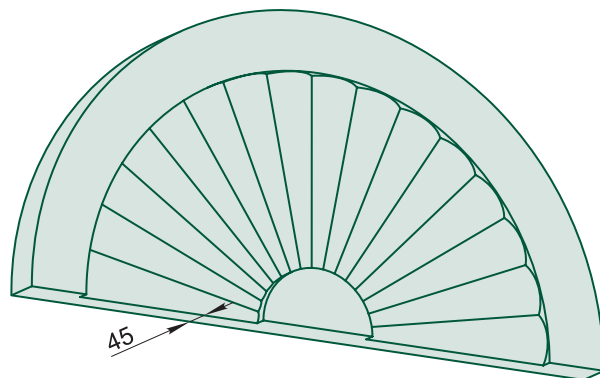


**FD18WM**

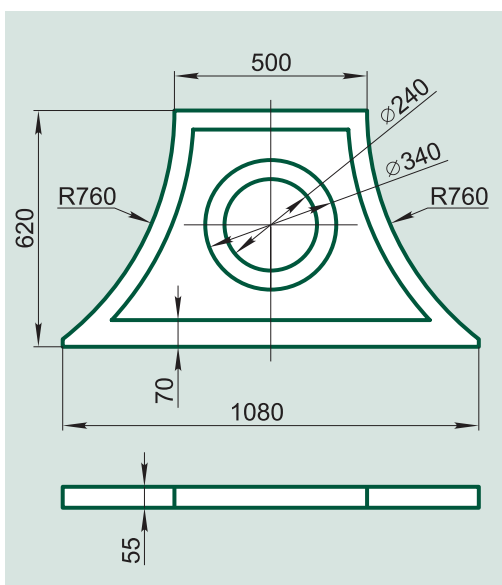
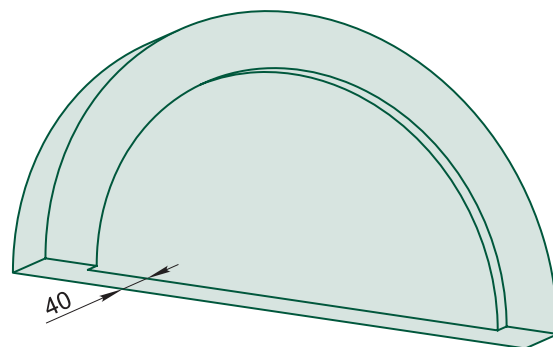




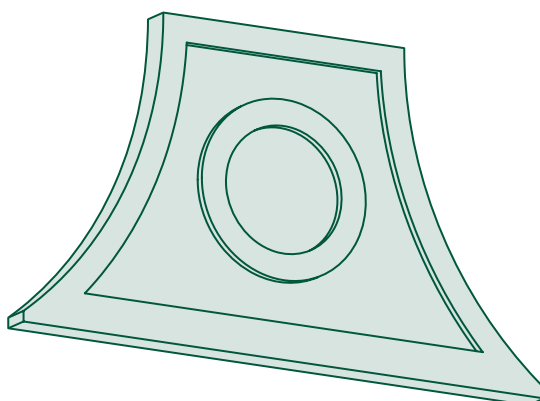
**FF53RK**



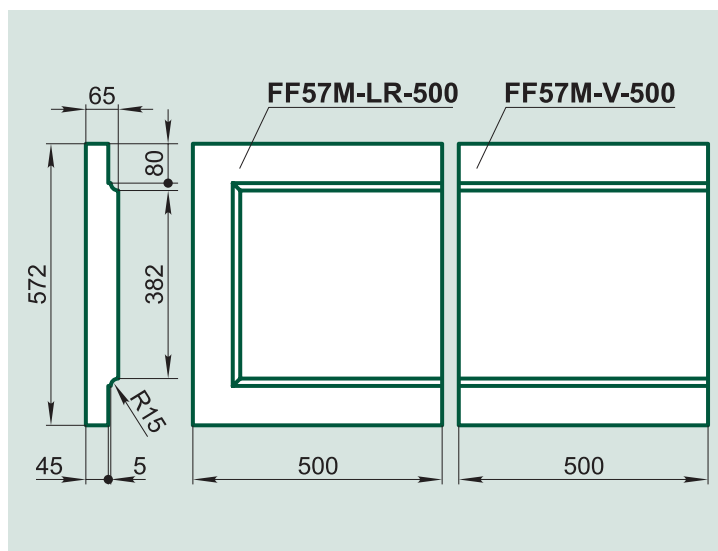
**FF25R**



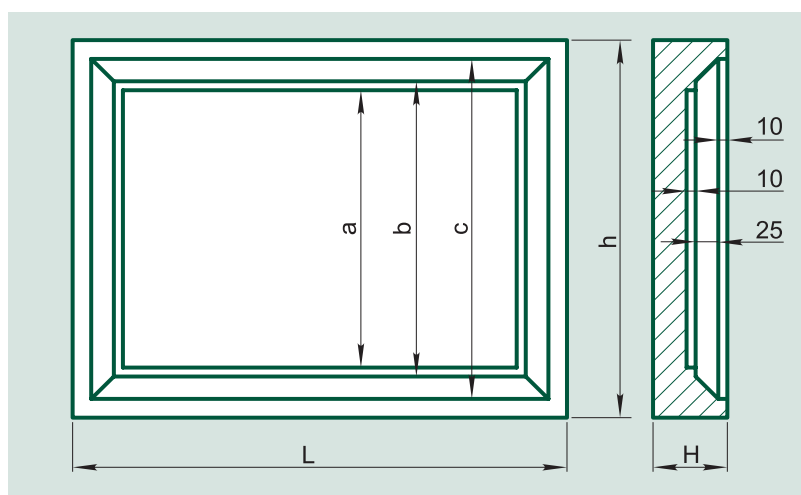
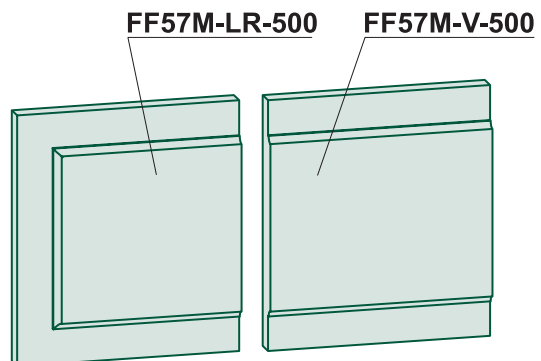
**FF62RO**



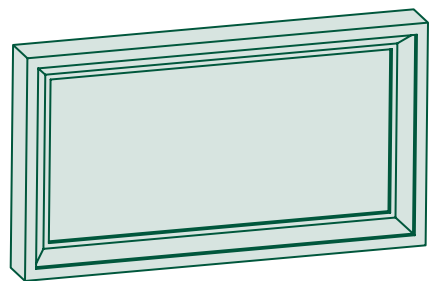




## FF57M

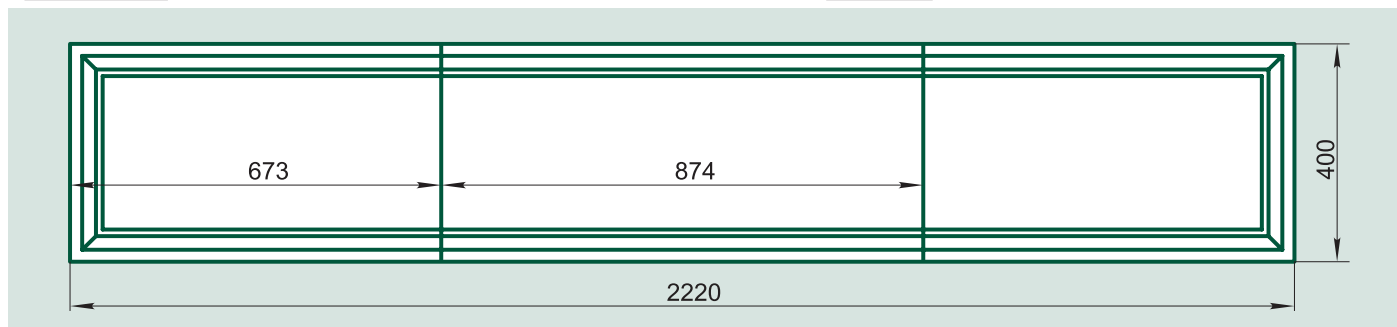
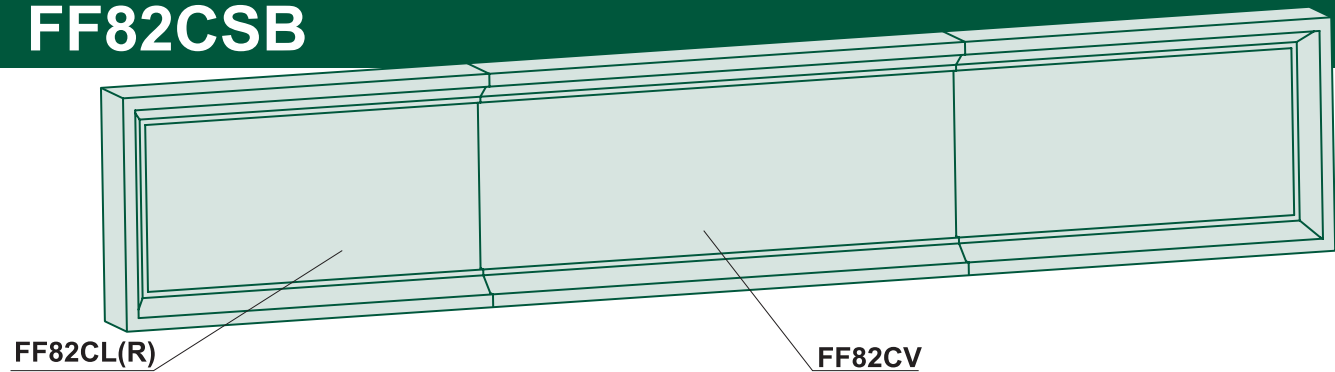


## FF82B, FF82C

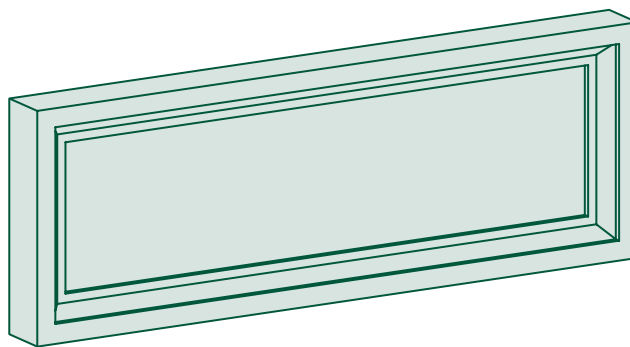
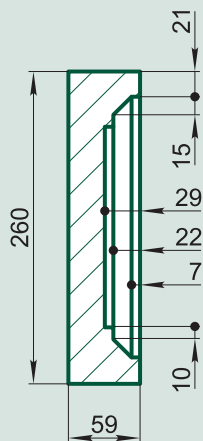


	h	H	a	b	c	L	
<b>FF82B</b>	422	95	310	325	380	755	33,5
<b>FF82C</b>	400	82	286	306	356	730	31,4

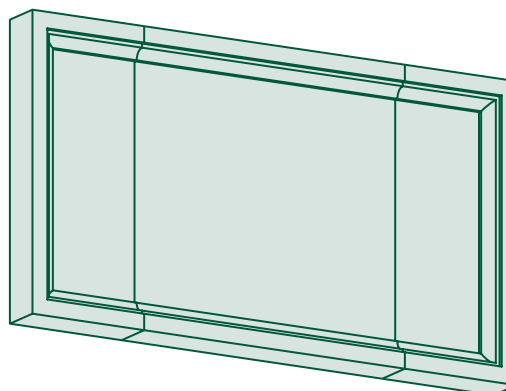
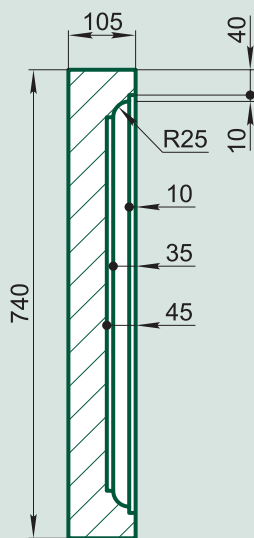
## FF82CSB



### FF26ZR



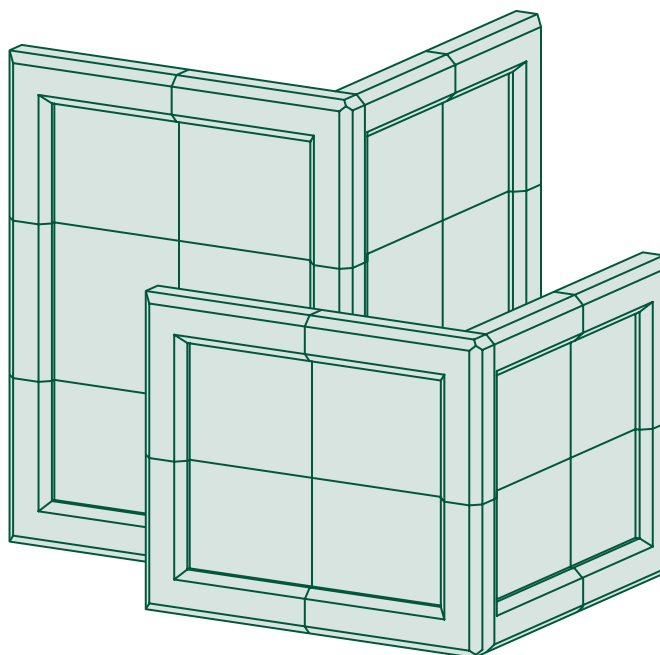
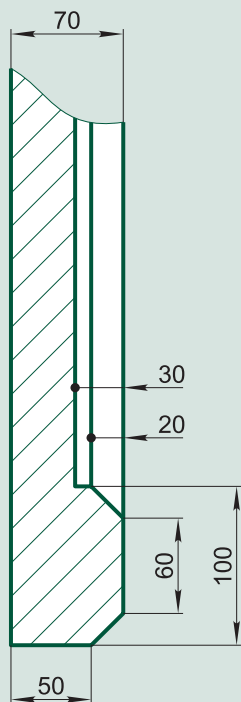
### FF74C



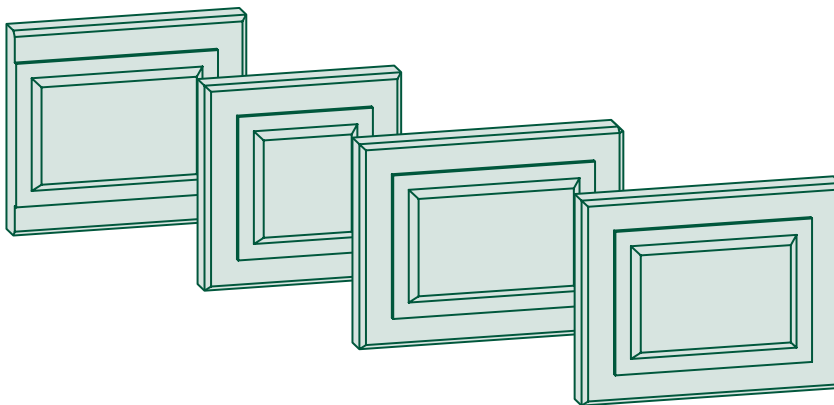
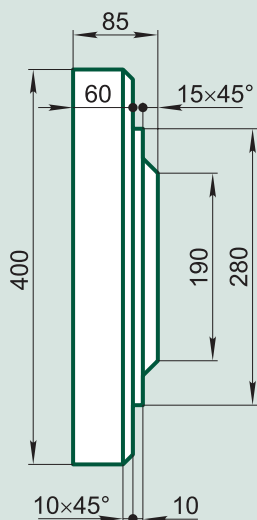
### FR50L



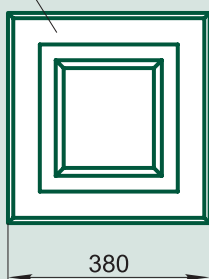
# FF70D



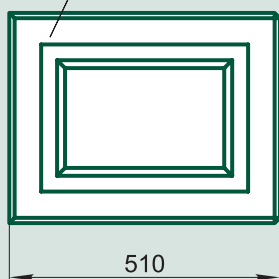
# FF40NP



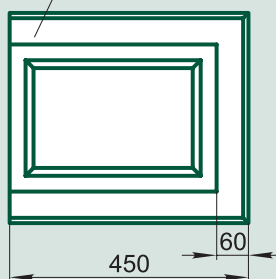
**FF40NP-V-380**



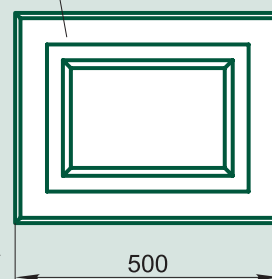
**FF40NP-D**



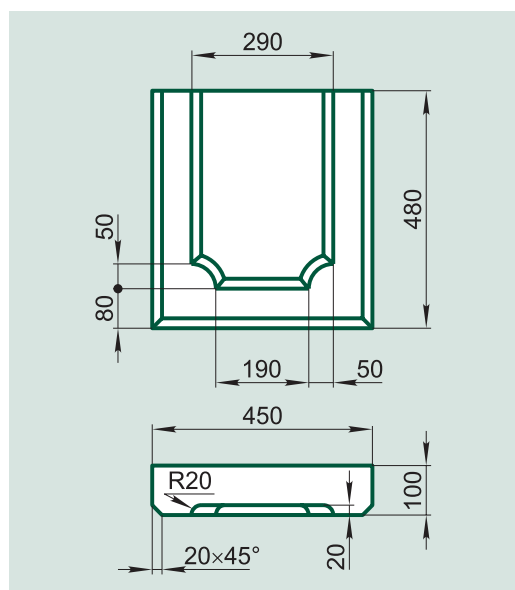
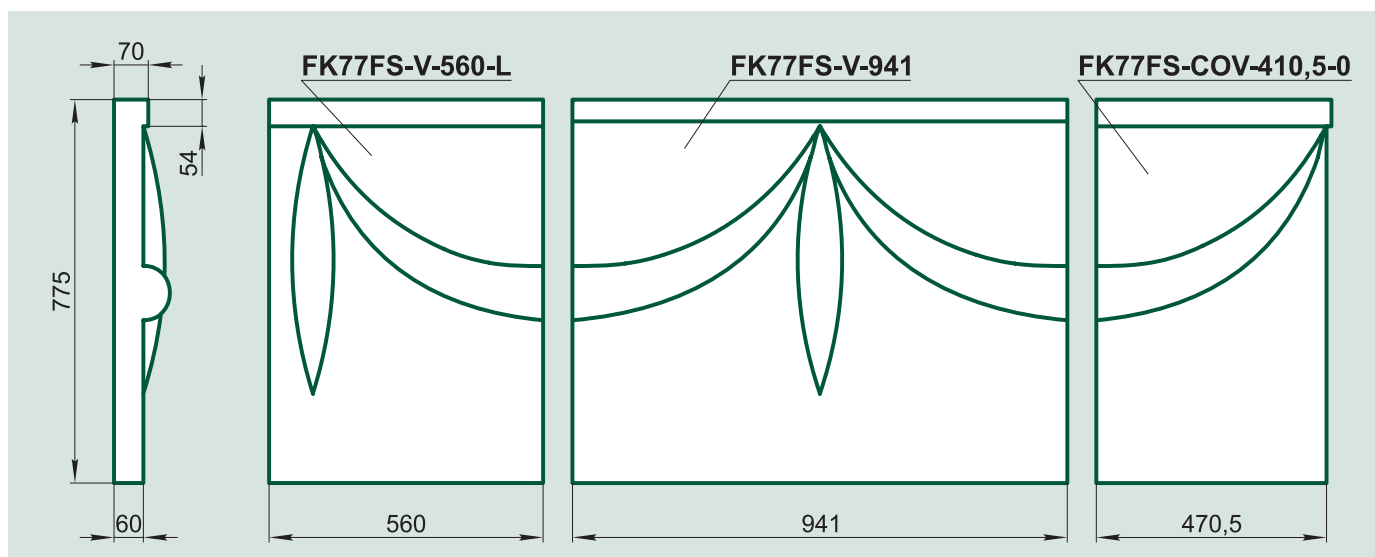
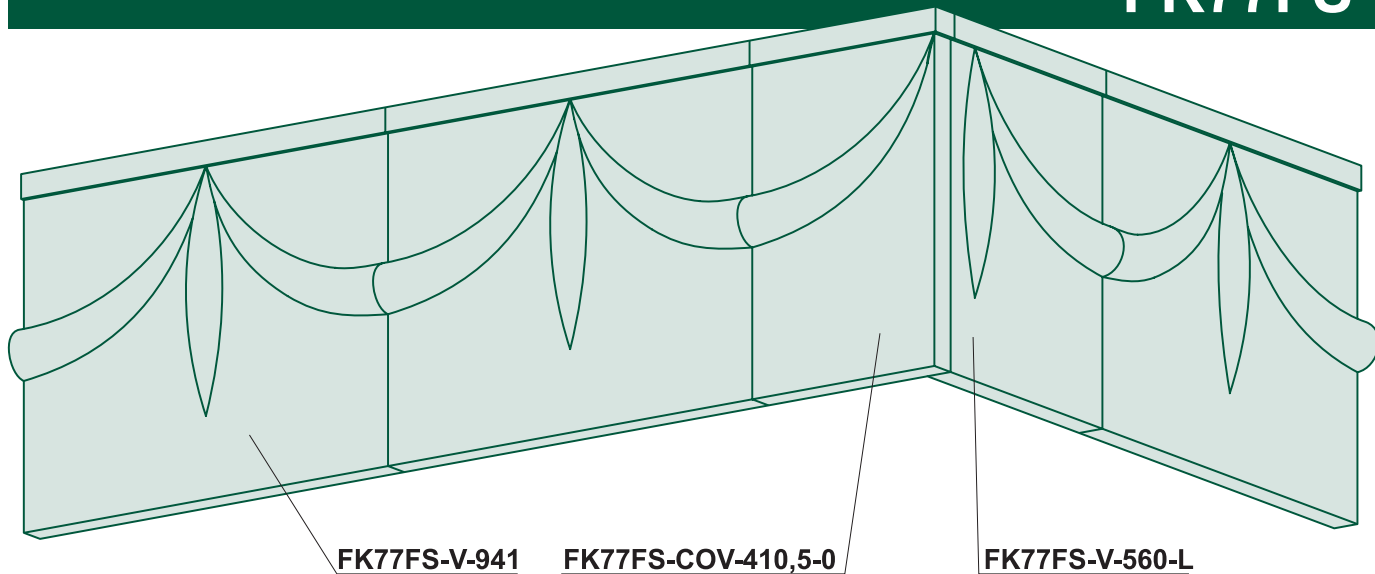
**FF40NP-C**



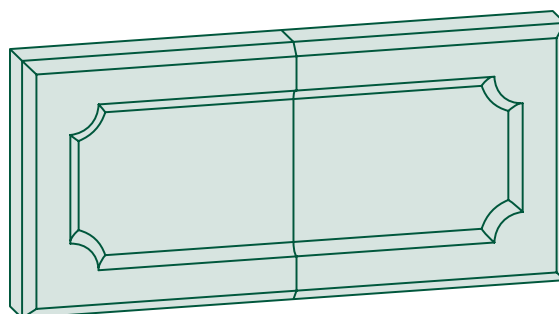
**FF40NP-V-500**



# FK77FS



# FF45T



	H	L	
FF55M-LR-500	548	500	28,8
FF55M-V-500	548	500	28,8
FF68M-LR-500	680	500	36
FF68M-V-500	680	500	35,9

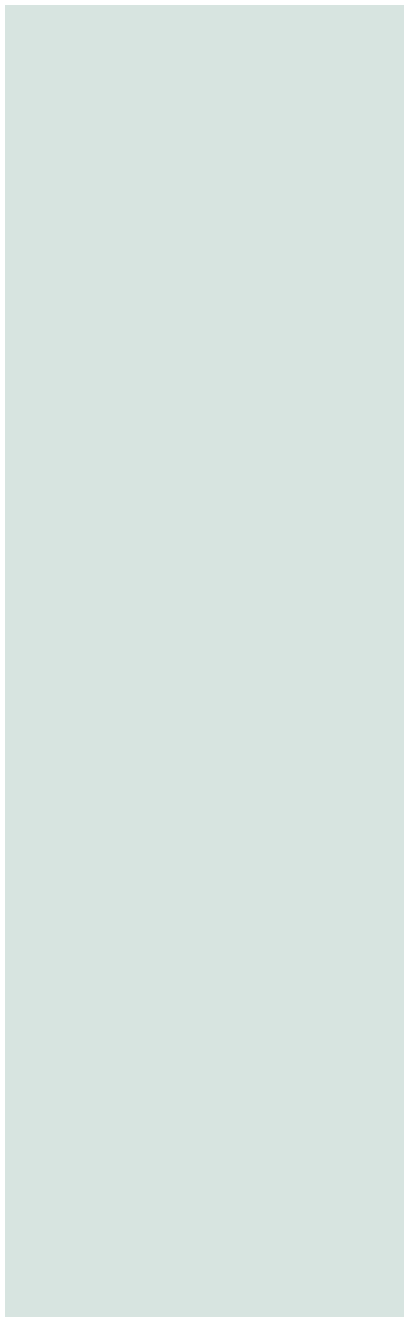
## FF55M, FF68M

## FF60B

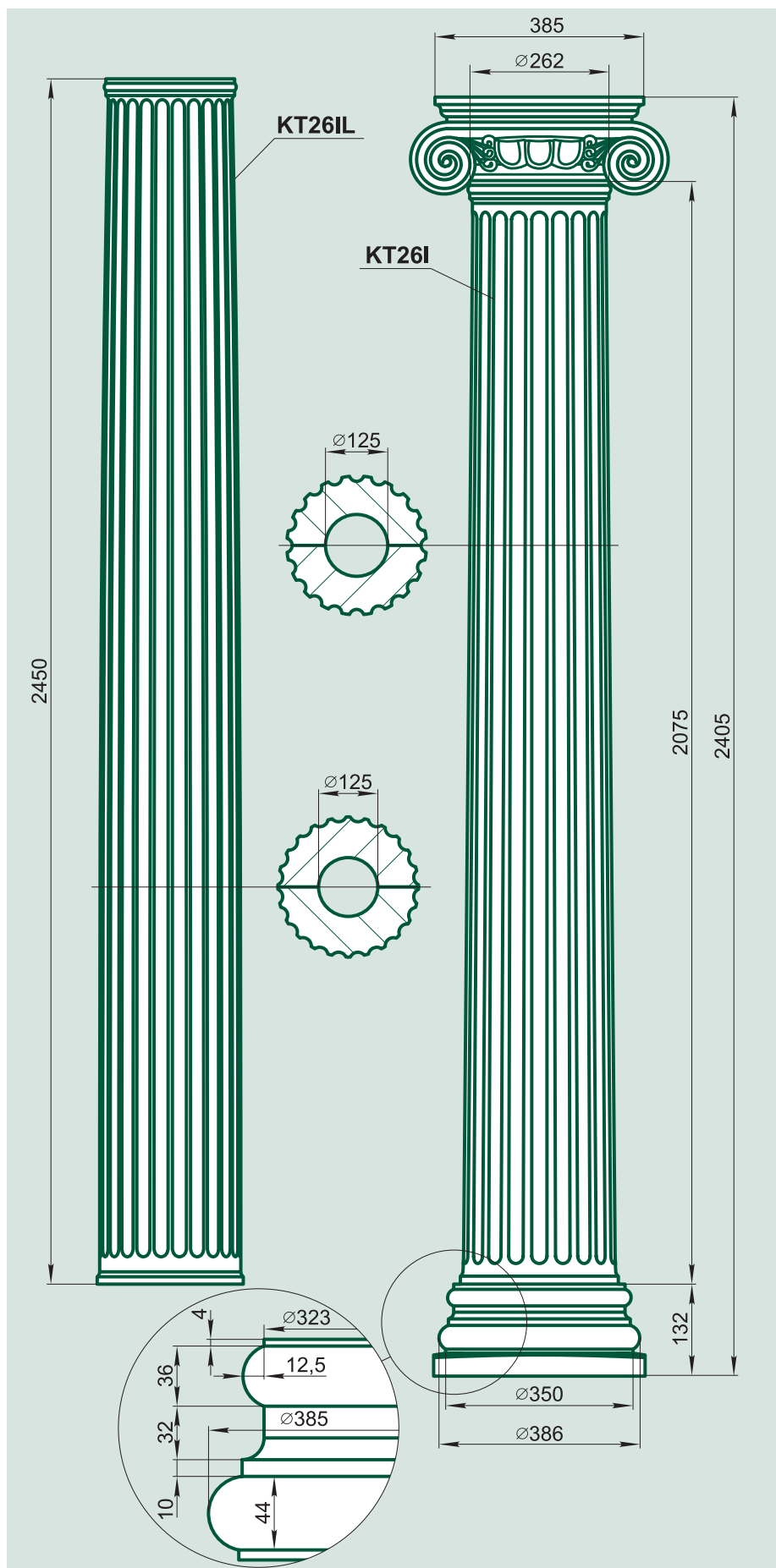
## FF43K, FF55K

	H	L	
FF55K-V-800	550	500	52,4
FF43K-V-800	430	500	68,2

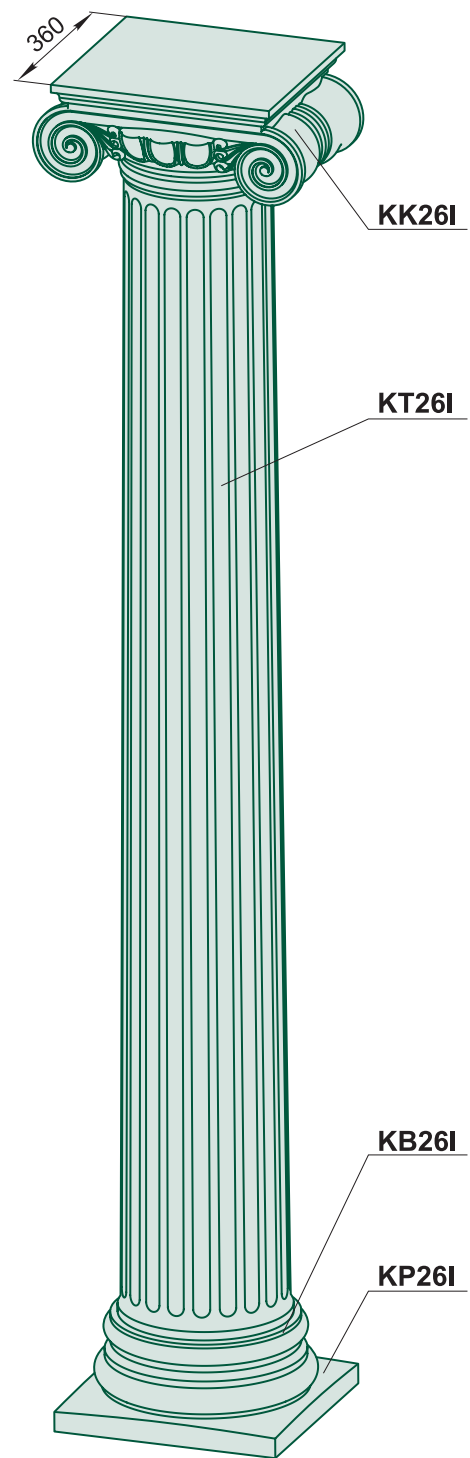
## FD35C



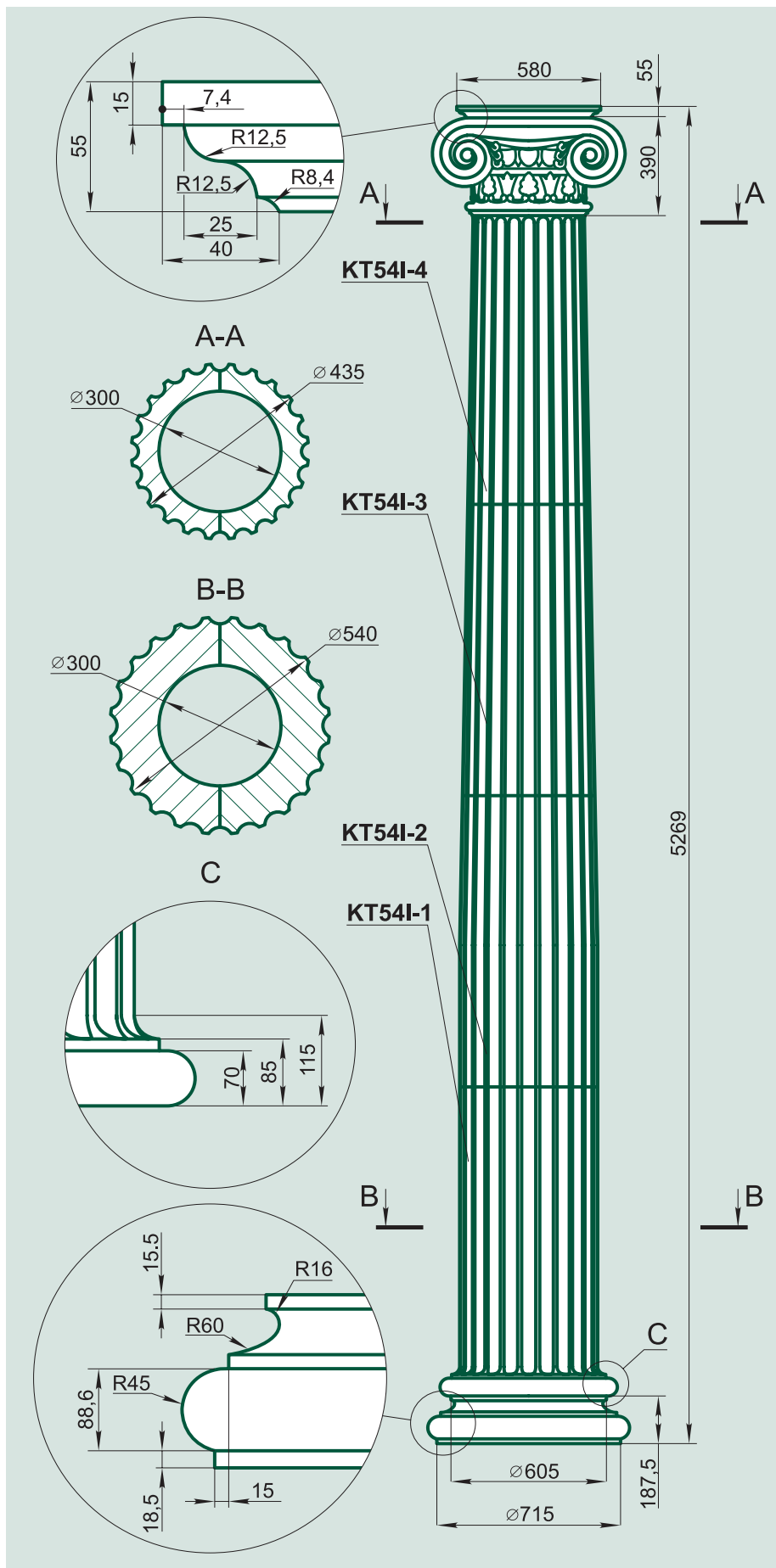
# КОЛОННЫ ПИЛЯСТРЫ



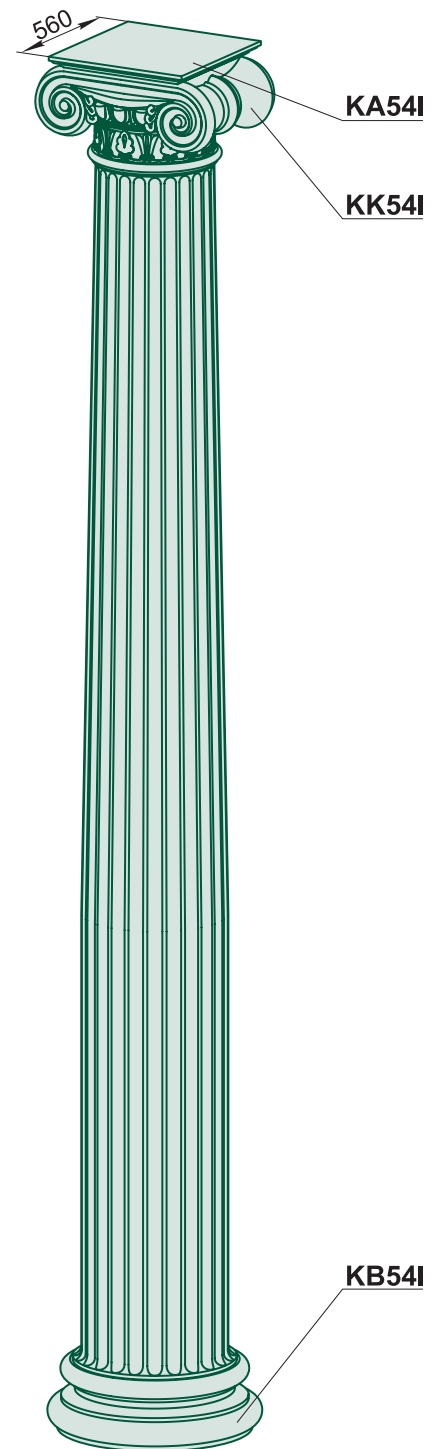
**K26I, K26IL**



KK26I	2	22
KT26I	2	131
KT26IL	2	152,5
KB26I	2	13,9
KP26I	2	7,1



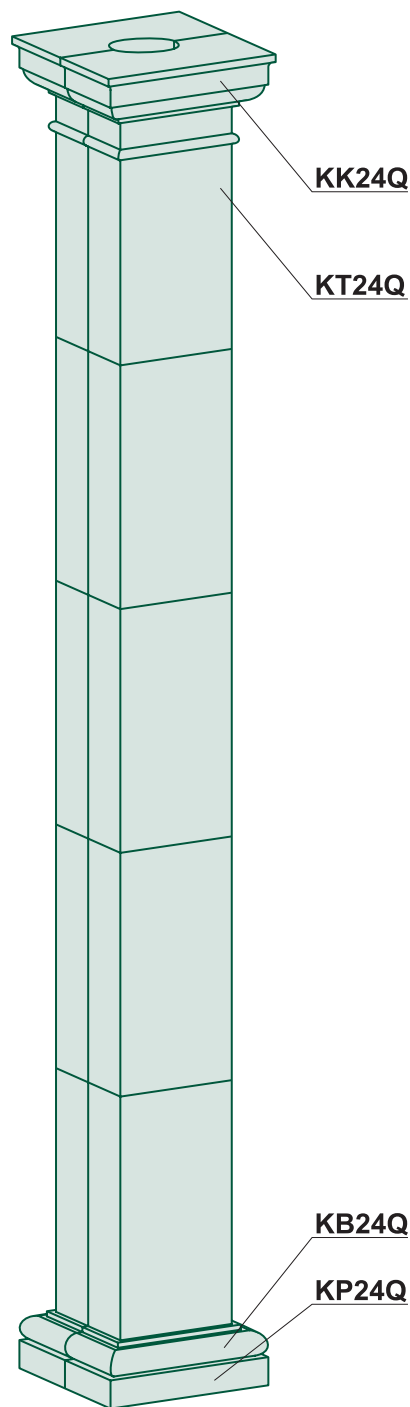
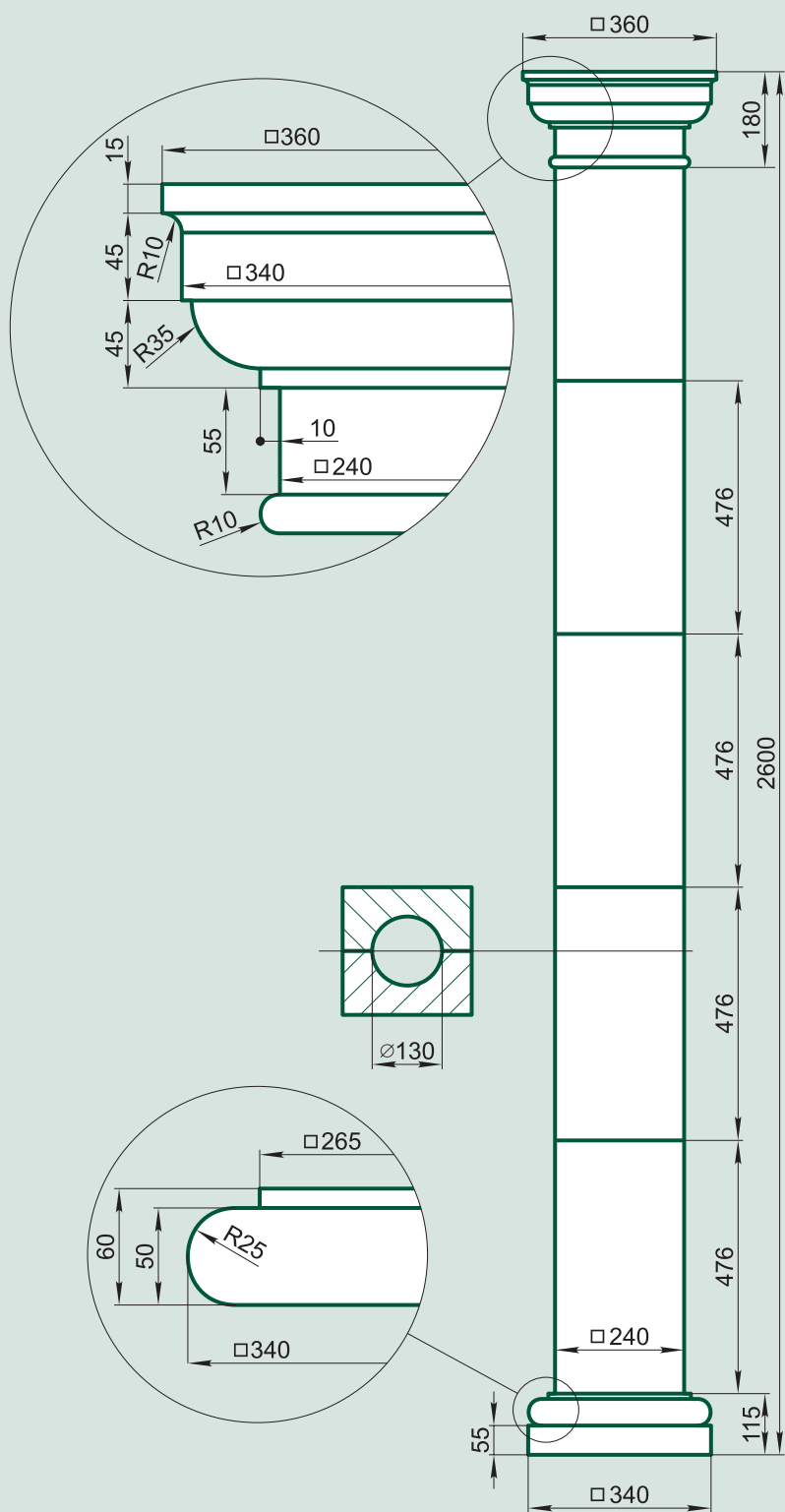
# K54I



KA54I	2	13,8
KK54I	2	74,4
KT54I-4	2	84,7
KT54I-3	2	121,7
KT54I-2	2	168,6
KT54I-1	2	237,8
KB54I	2	65

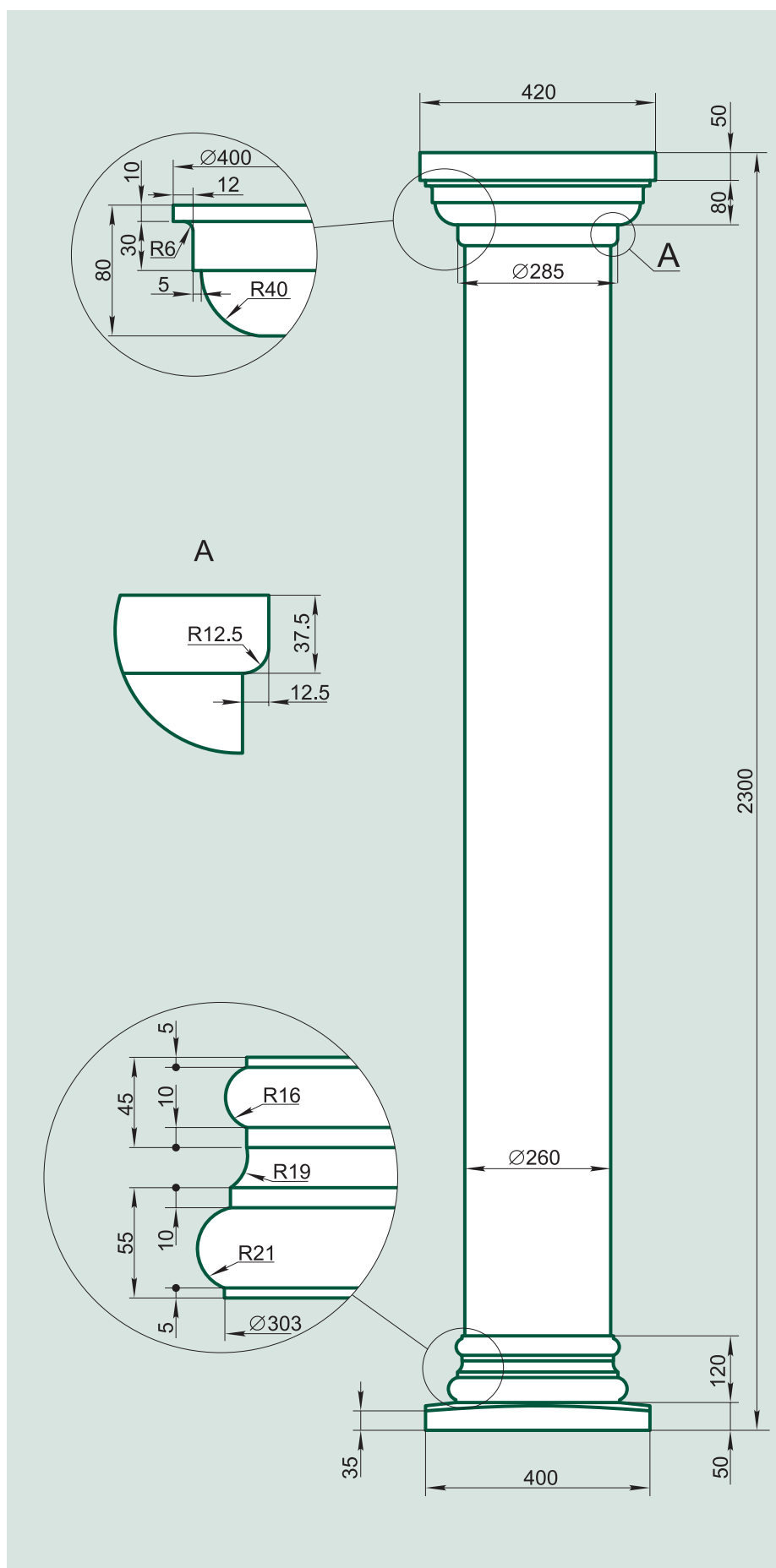


# K24Q

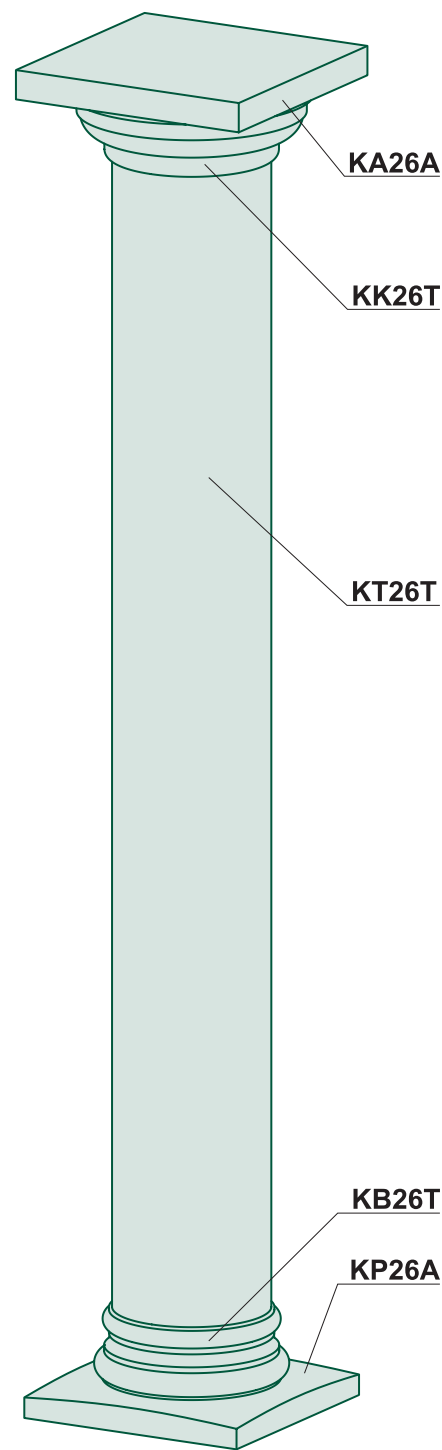


KK24Q	2	15
KT24Q	10	23,2
KB24Q	2	5,8
KP24Q	2	6,2

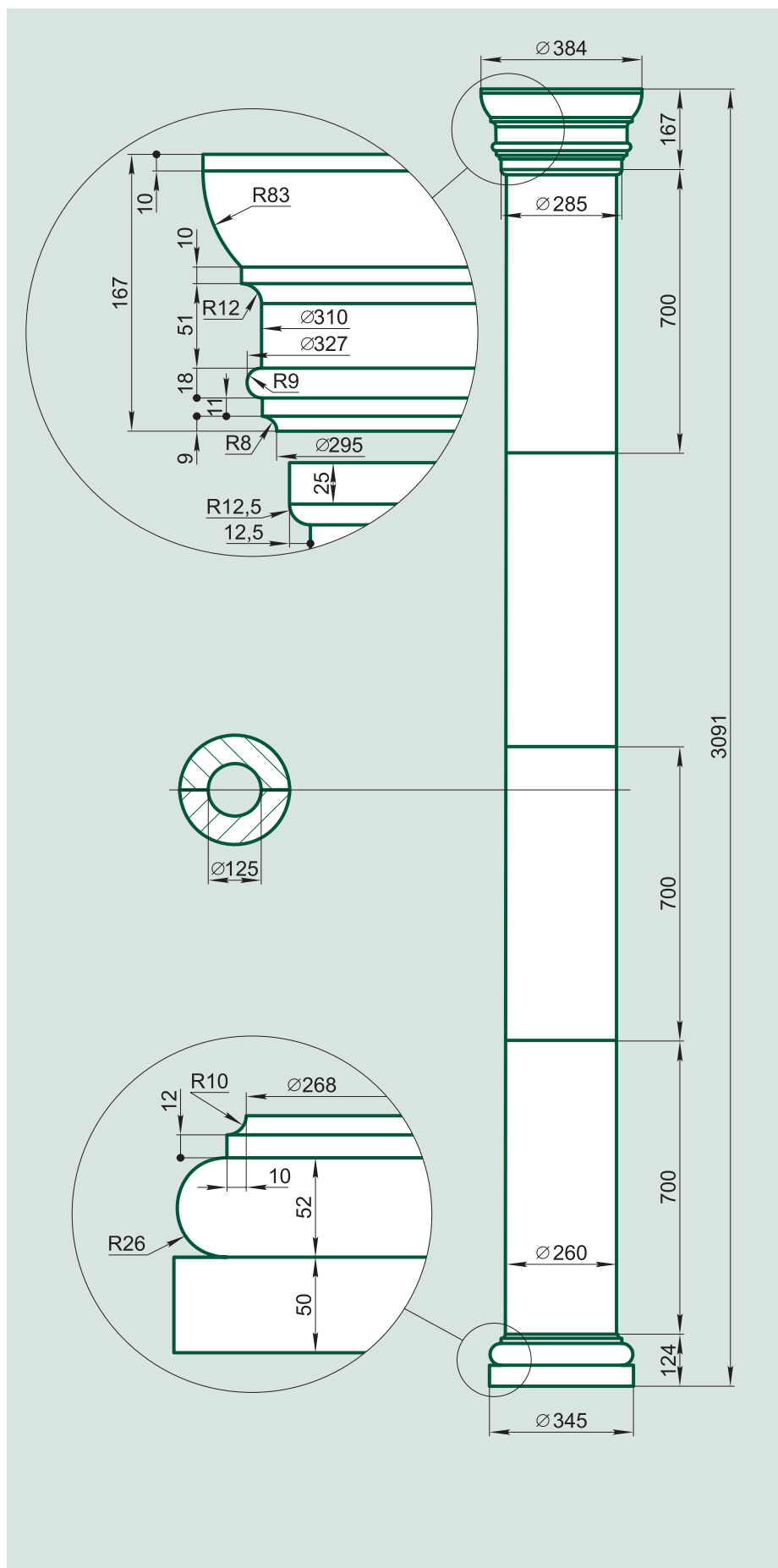




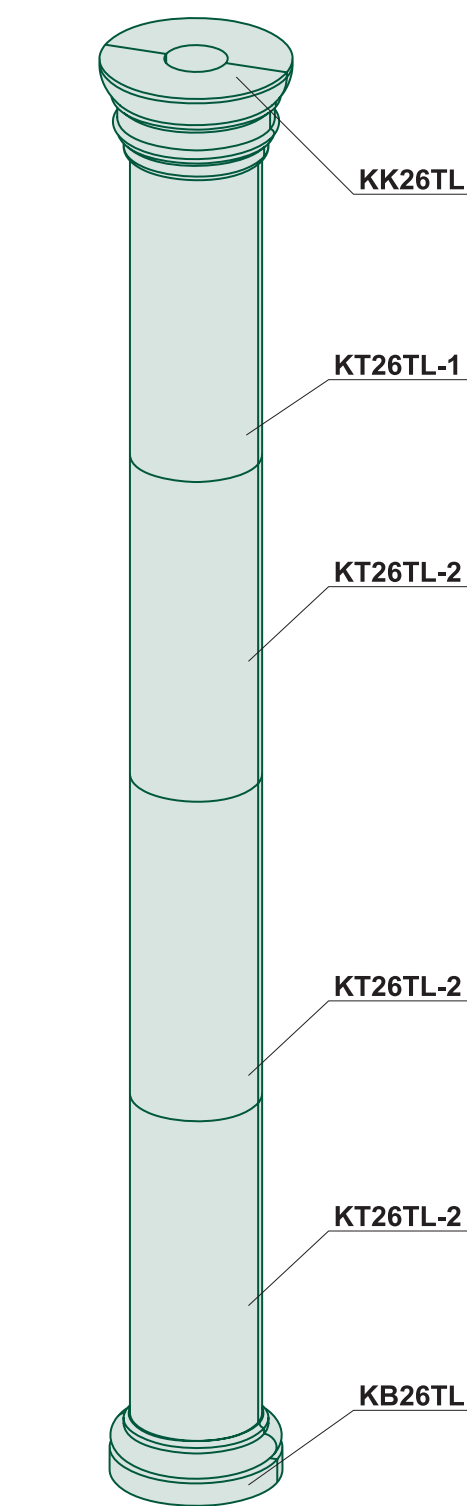
# K26T



KB26T	1	17,5
KK26T	1	18,6
KT26T	1	234,5
KP26A	1	16,5
KA26A	1	19,5

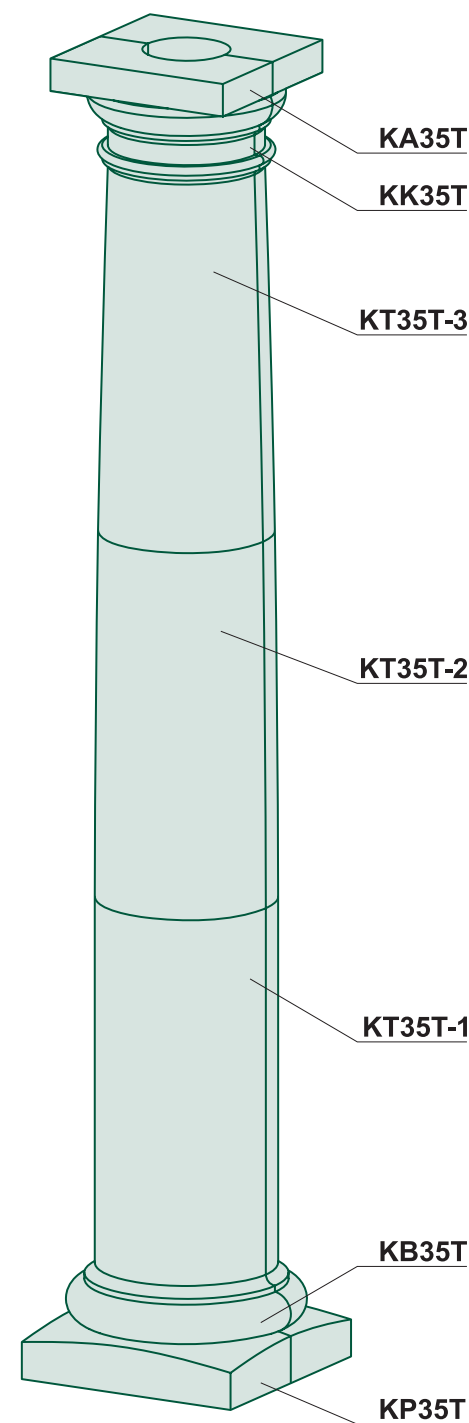
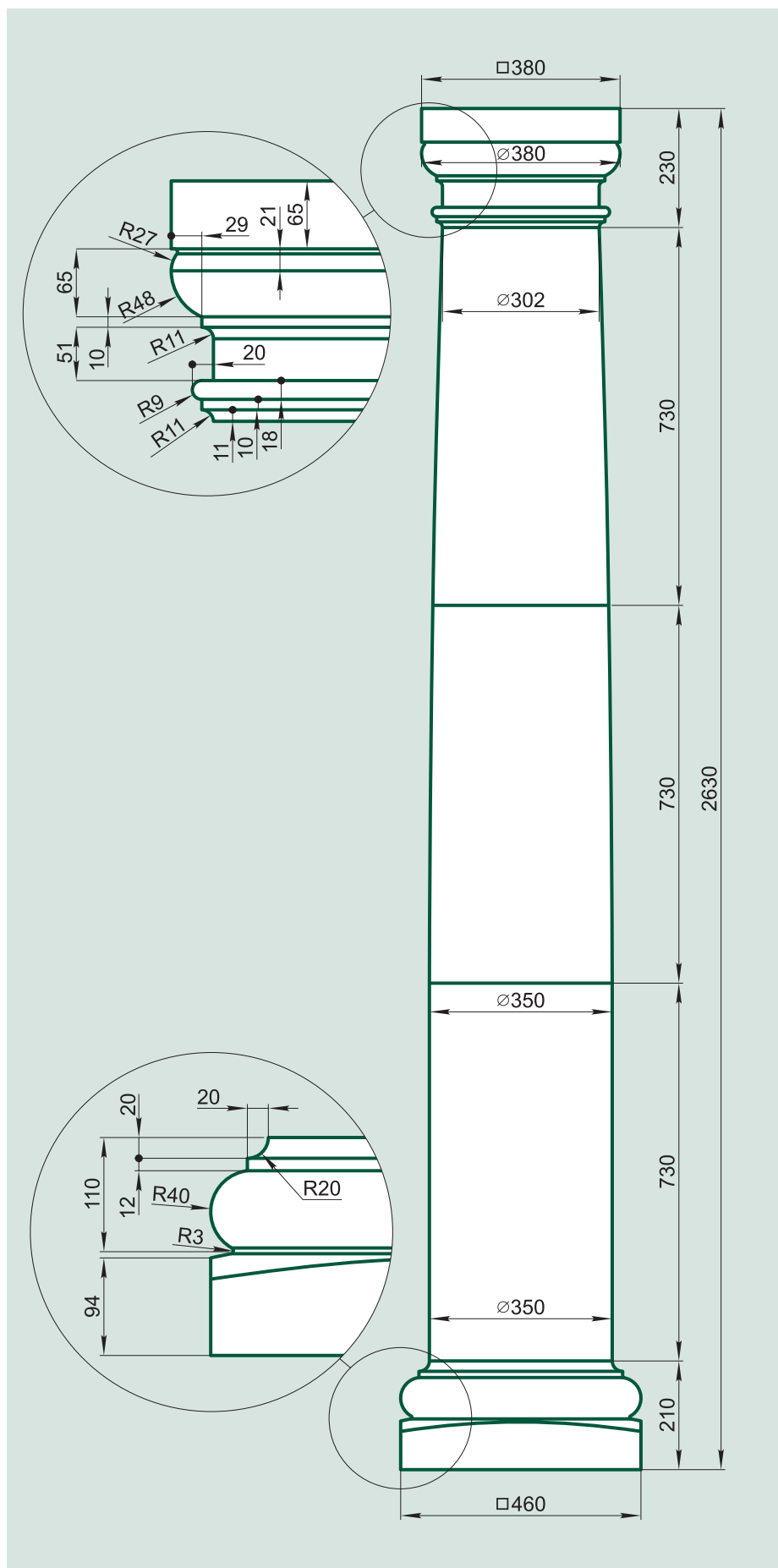


# K26TL

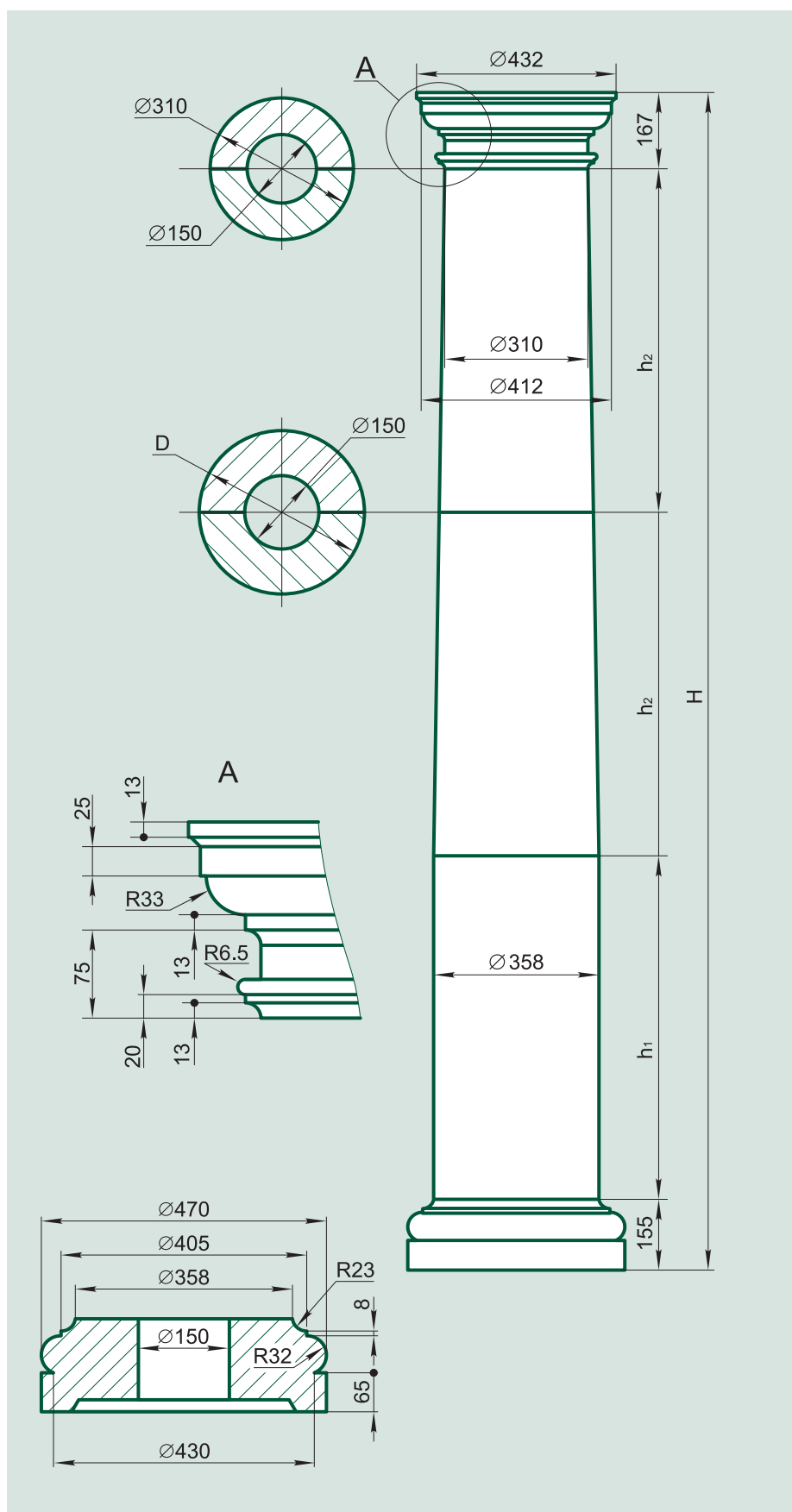


KK26TL	2	14,1
KT26TL-2	6	31,5
KT26TL-1	2	31,8
KB26TL	2	9,6

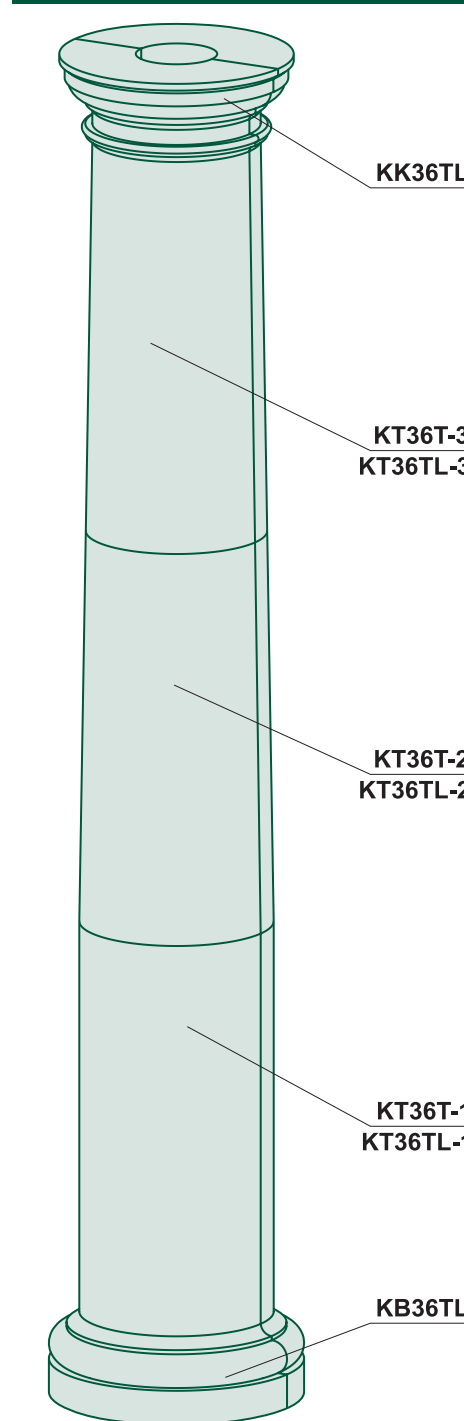
# K35T



KA35T	2	8,7
KK35T	2	11,9
KT35T-3	2	47
KT35T-2	2	57,5
KT35T-1	2	59,3
KB35T	2	14,6
KP35T	2	19,5



# K36T, K36TL

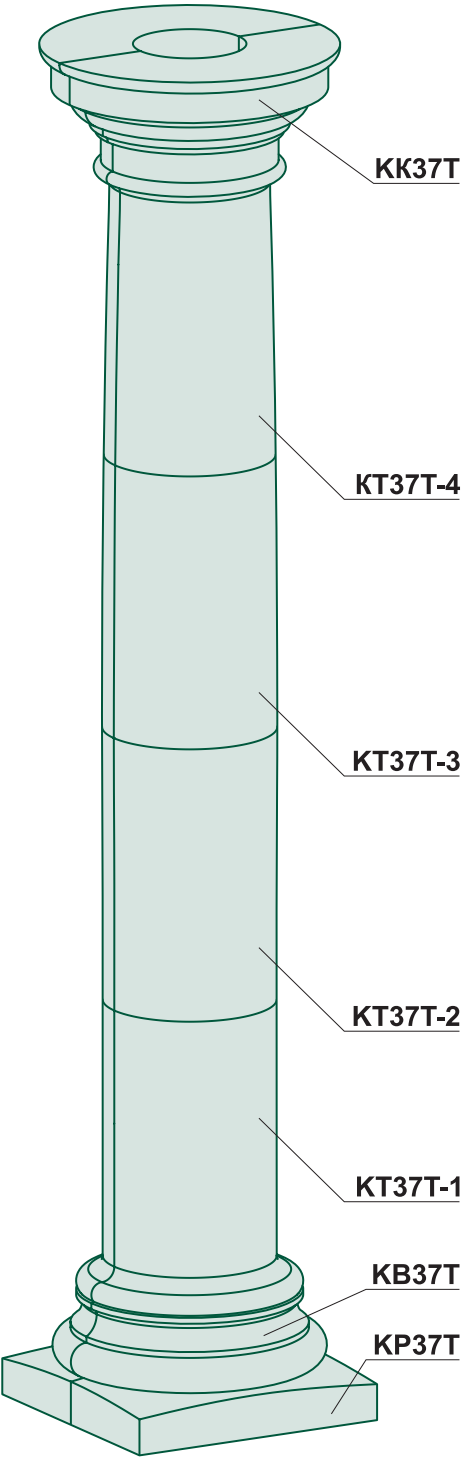


<b>K36T</b>	KB36TL	2	22,3
	KK36TL	2	16
	KT36T-1	2	68,7
	KT36T-2	2	63,3
	KT36T-3	2	52,8

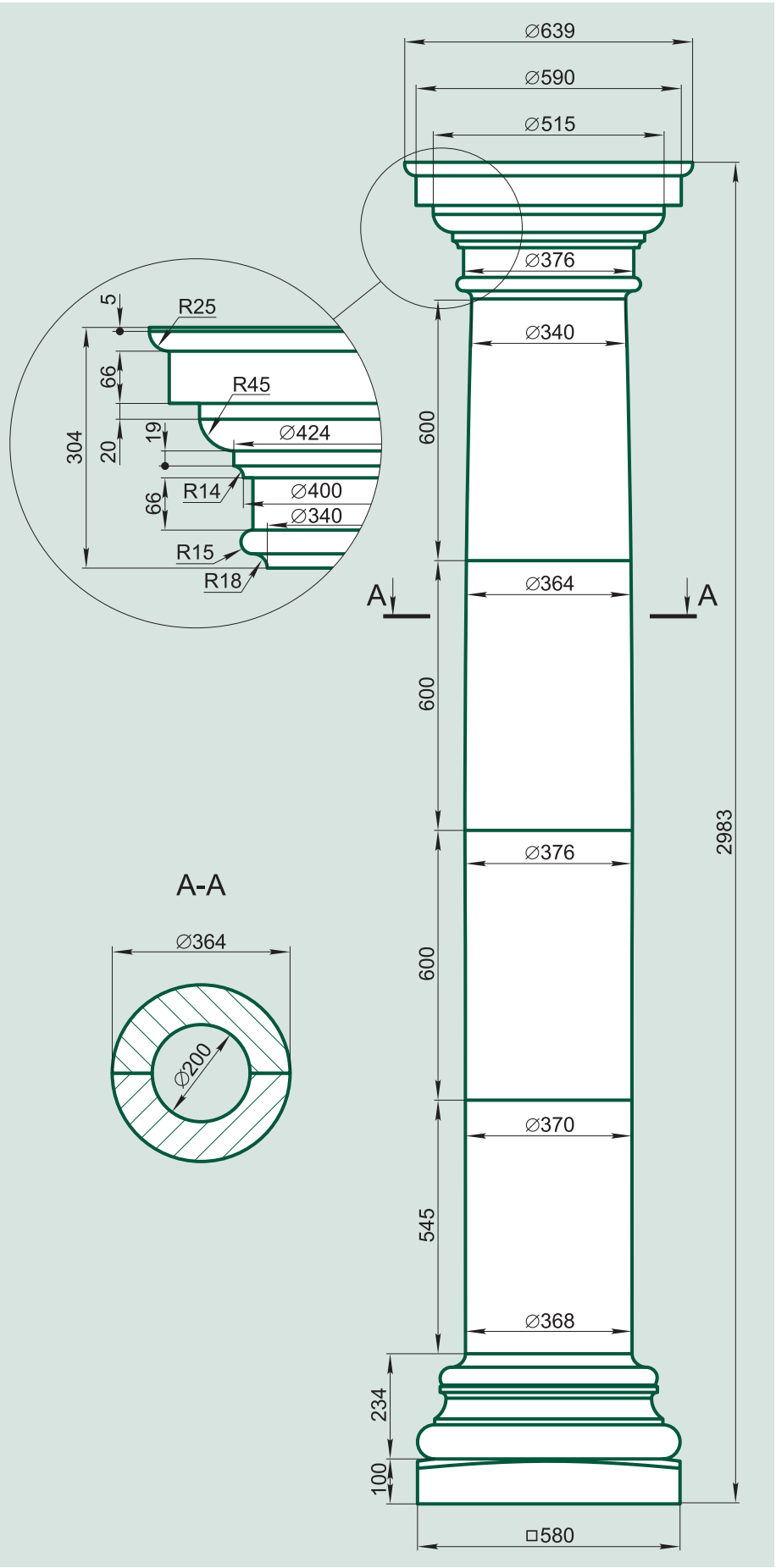
<b>K36TL</b>	KT36TL-1	2	69,5
	KT36TL-2	2	67,8
	KT36TL-3	2	55,9

	D	$h_1$	$h_2$	H	
<b>K36T</b>	336	752	760	2594	446,2
<b>K36TL</b>	342	840	845	2852	463

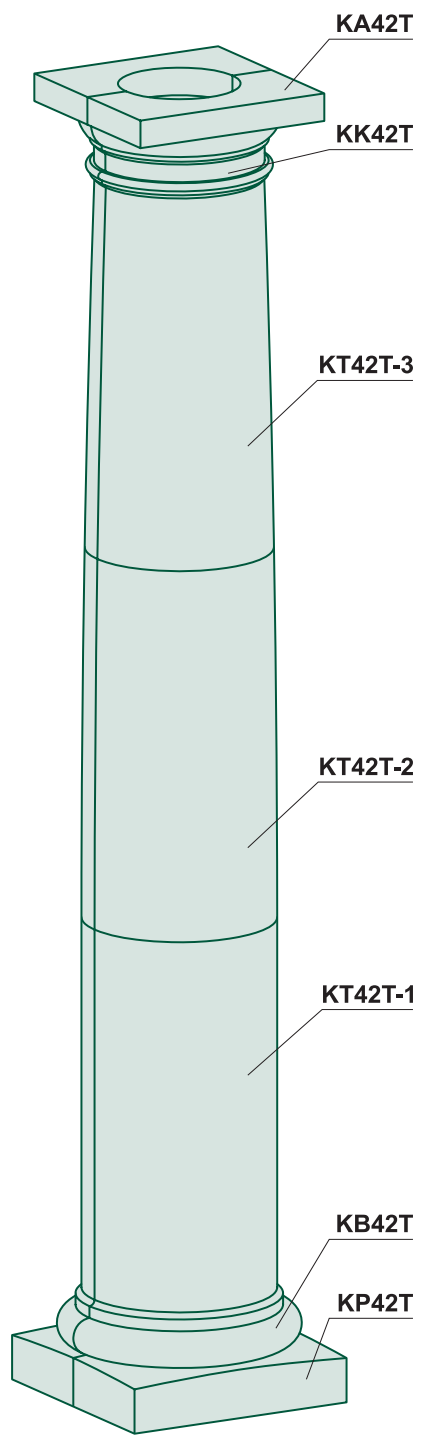
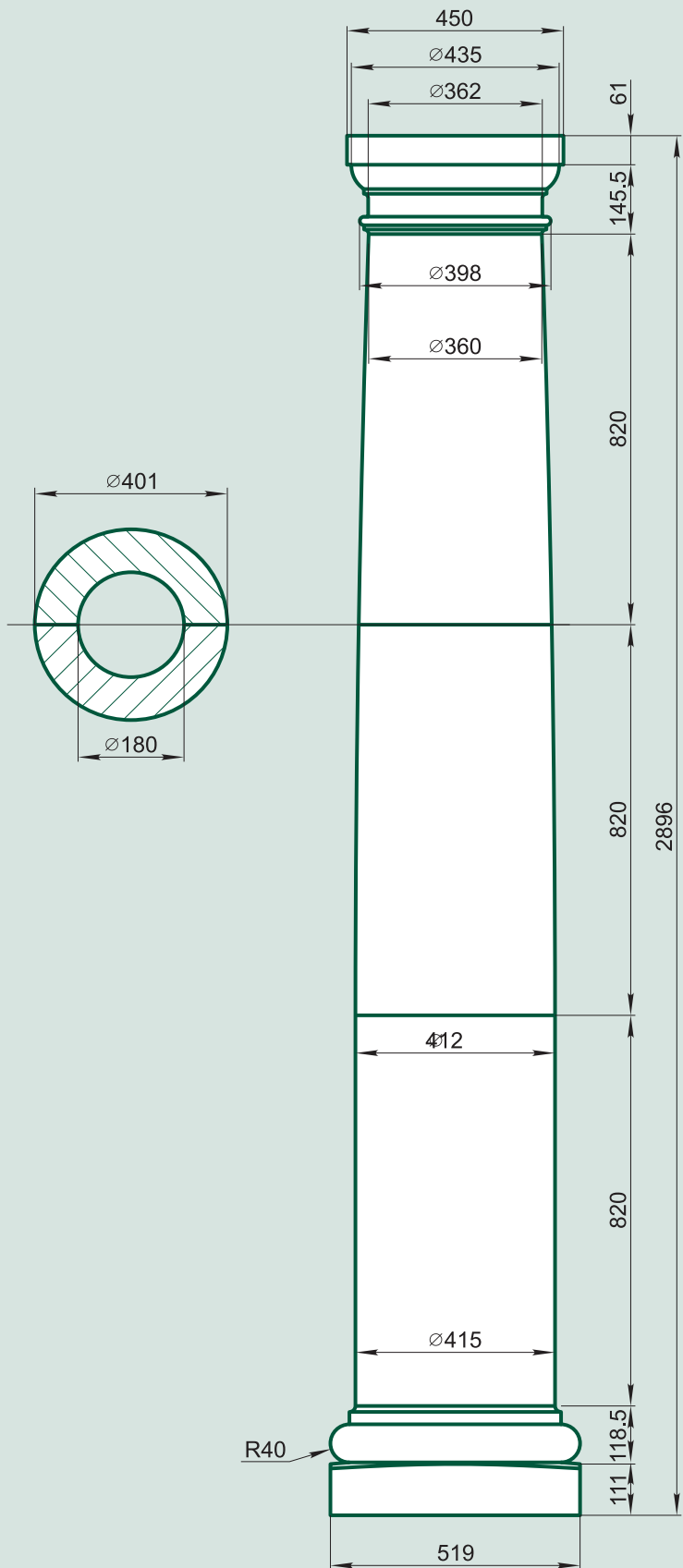
**K37T**



KK37T	2	51,2
KT37T-1	2	46,5
KT37T-2	2	49,7
KT37T-3	2	49,3
KT37T-4	2	44
KB37T	2	41,4
KP37T	2	32,6



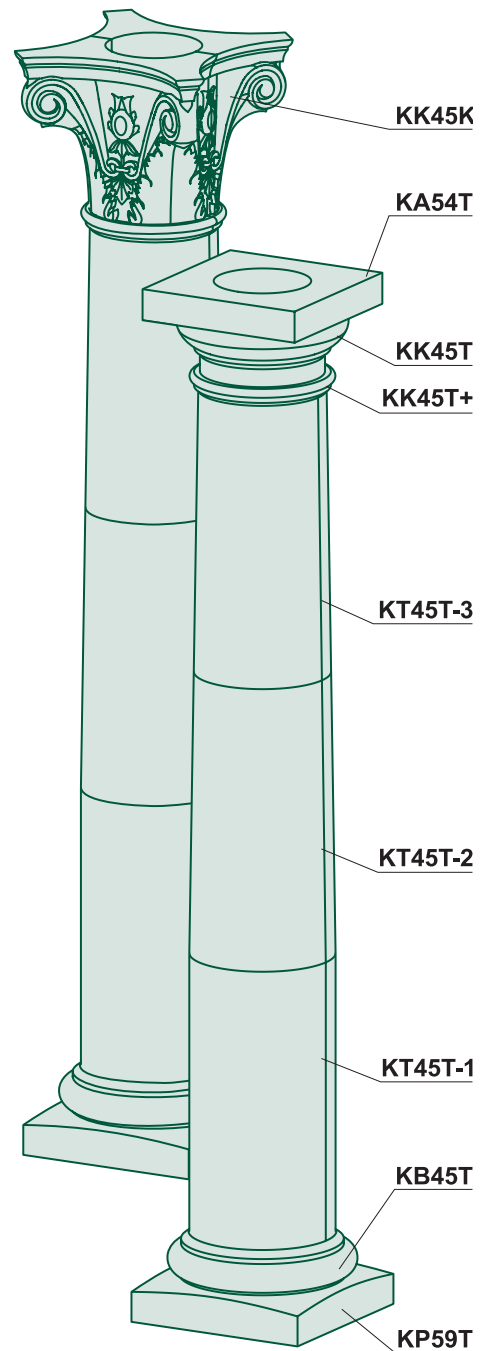
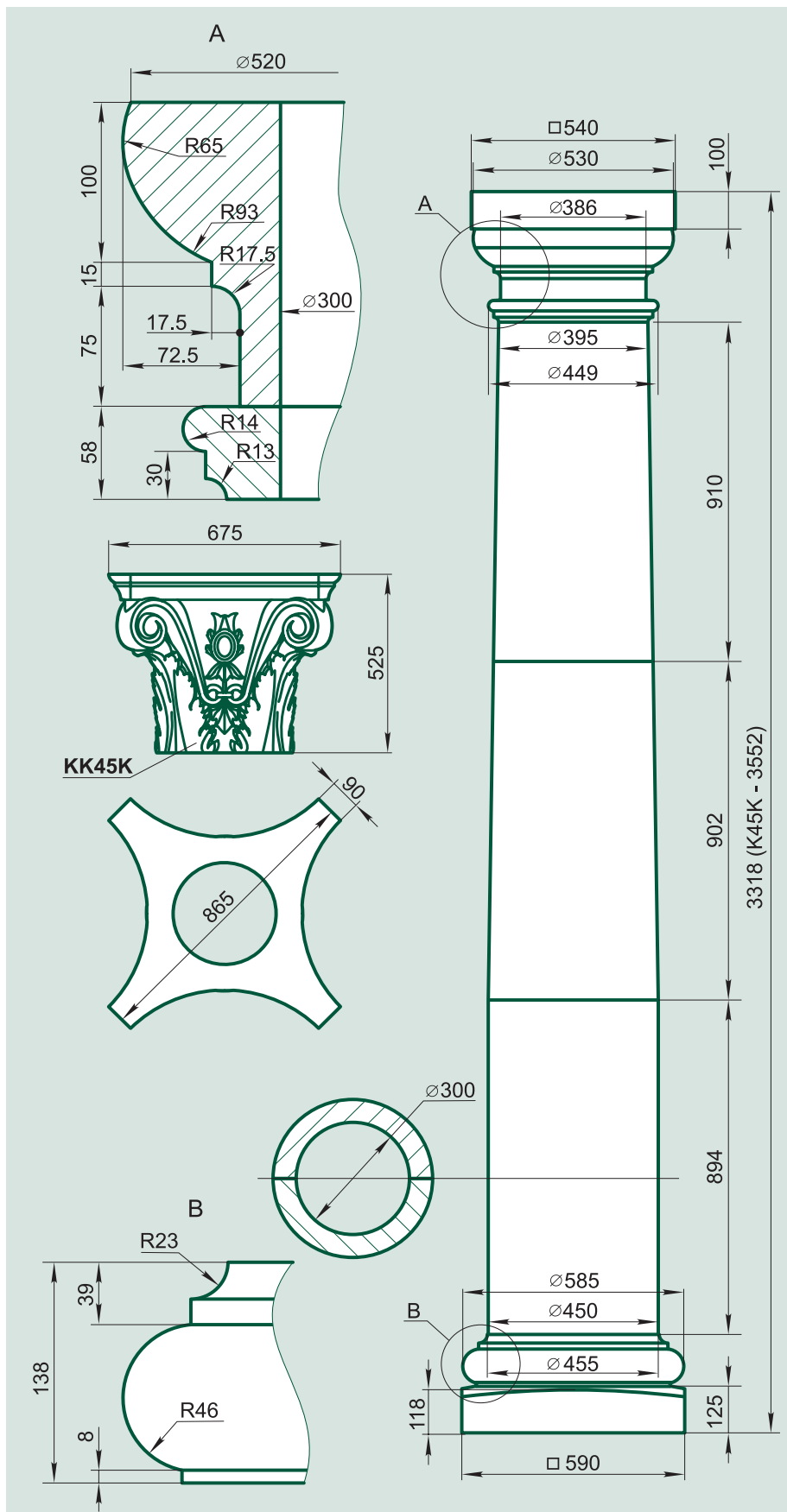
# K42T



KA42T	2	10.1
KK42T	2	10.5
KT42T-3	2	56
KT42T-2	2	71.5
KT42T-1	2	74.1
KB42T	2	16.8
KP42T	2	25.9

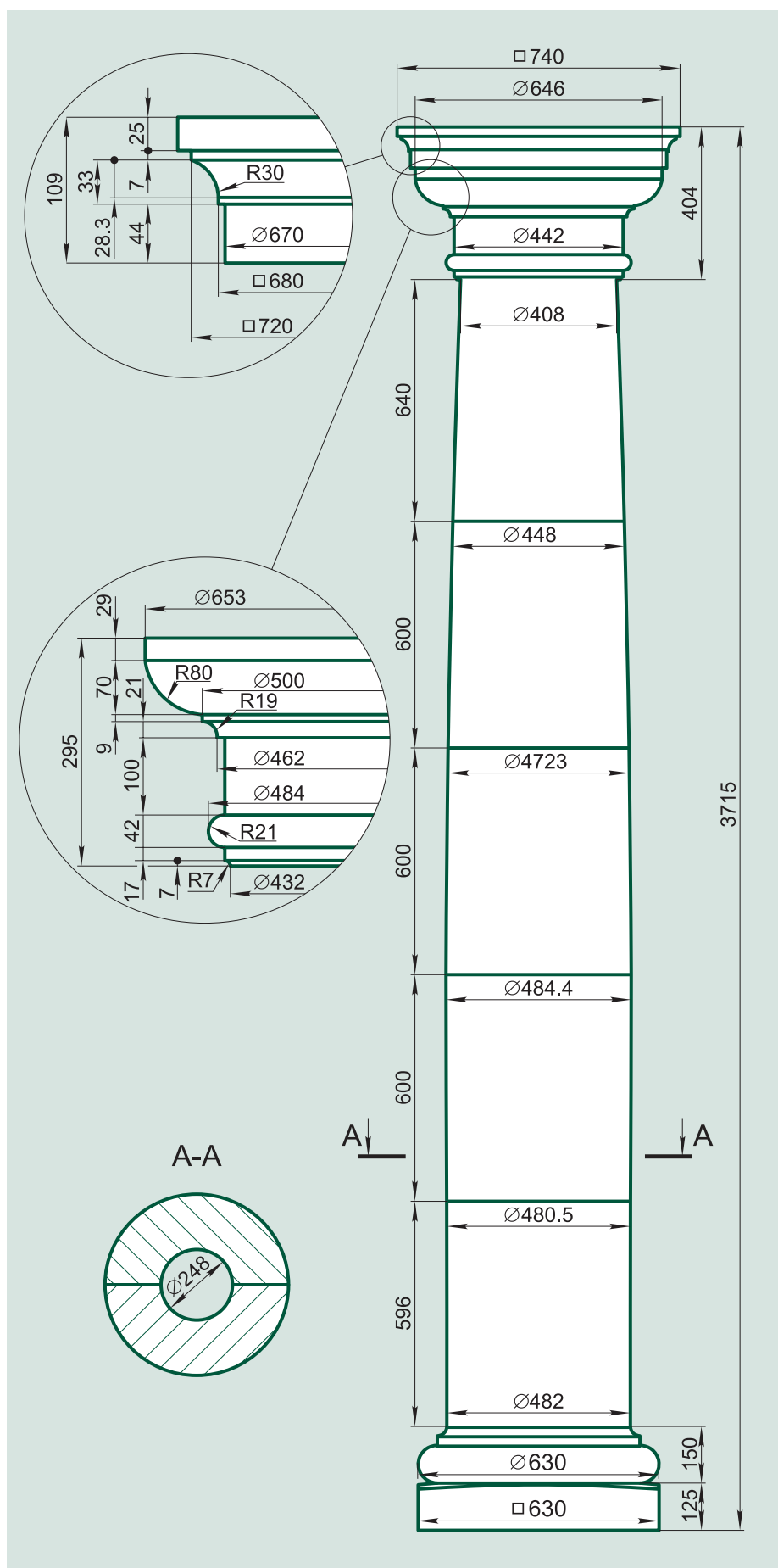


# K45T, K45K

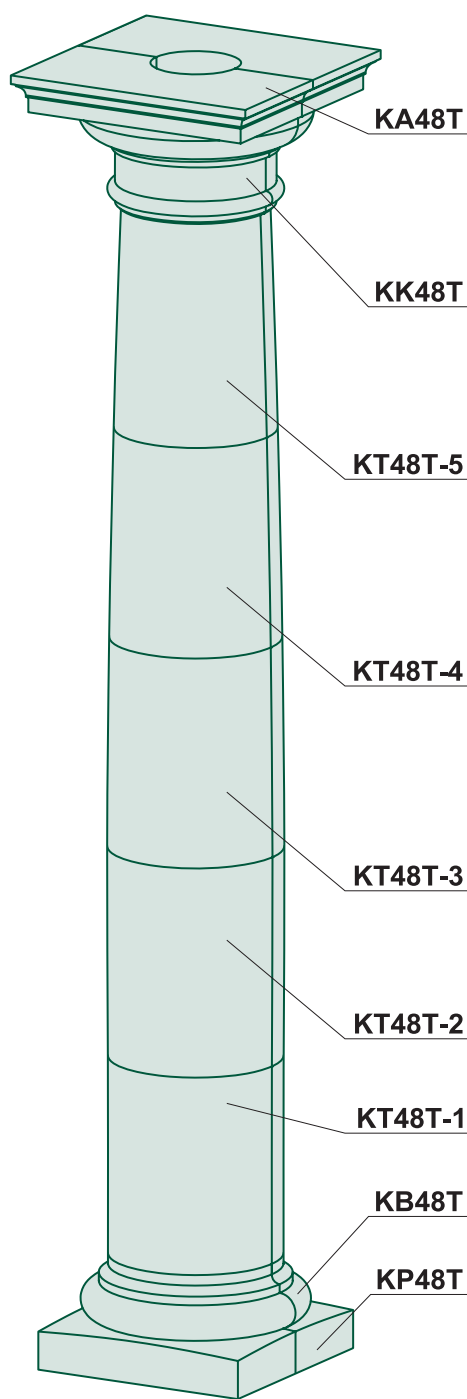


	H	
K45T	3318	670,2
K45K	3552	674,2

KK45T+	2	4,6	
KB45T	2	24,1	
KT45T-1	2	86,9	
KT45T-2	2	78,5	
KT45T-3	2	60,5	
KP59T	2	36,8	
<b>K45T</b>	KA54T	2	24,3
	KK45T	2	19,4
<b>K45K</b>	KK45K	2	45,7

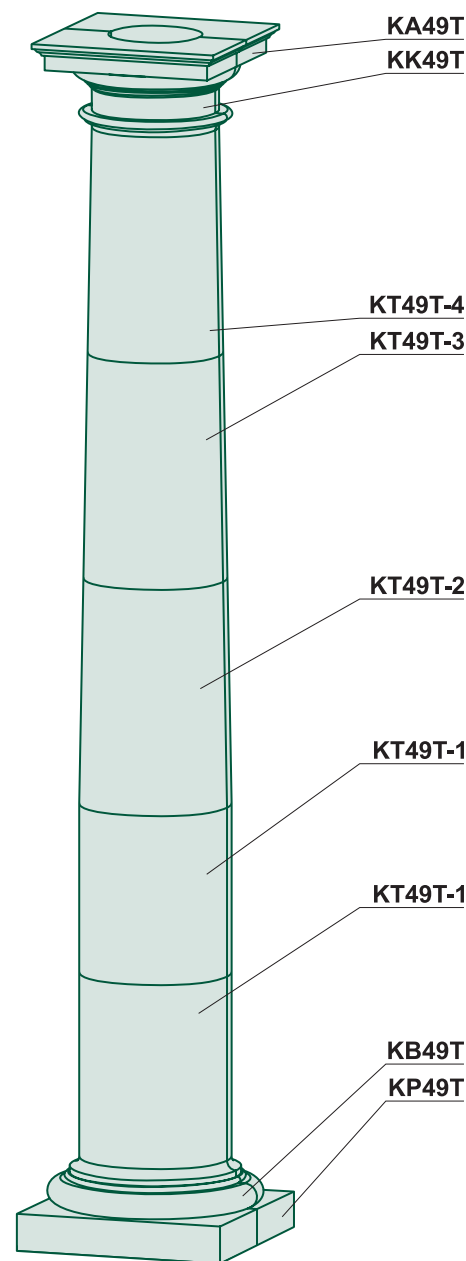
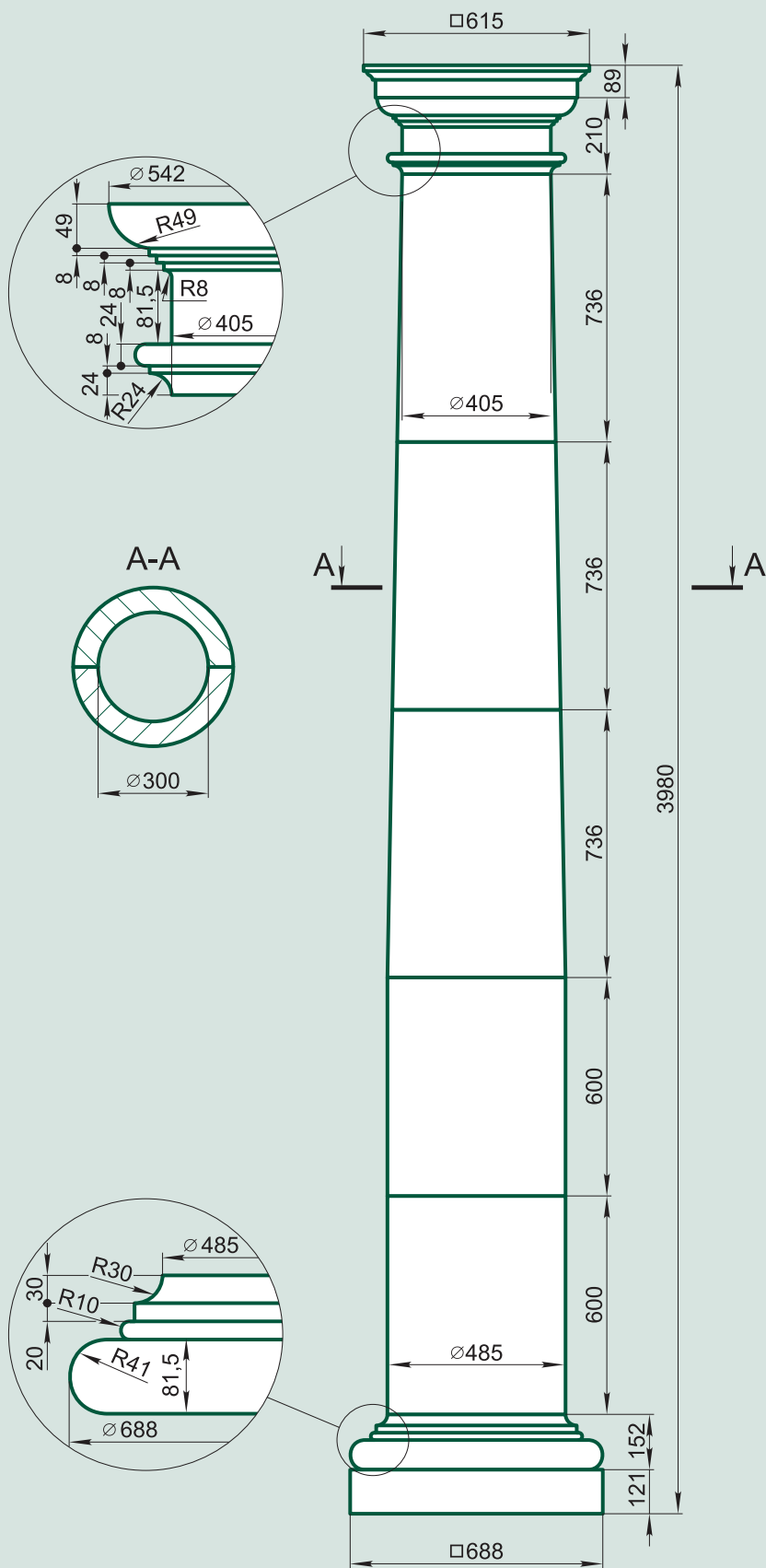


# K48T



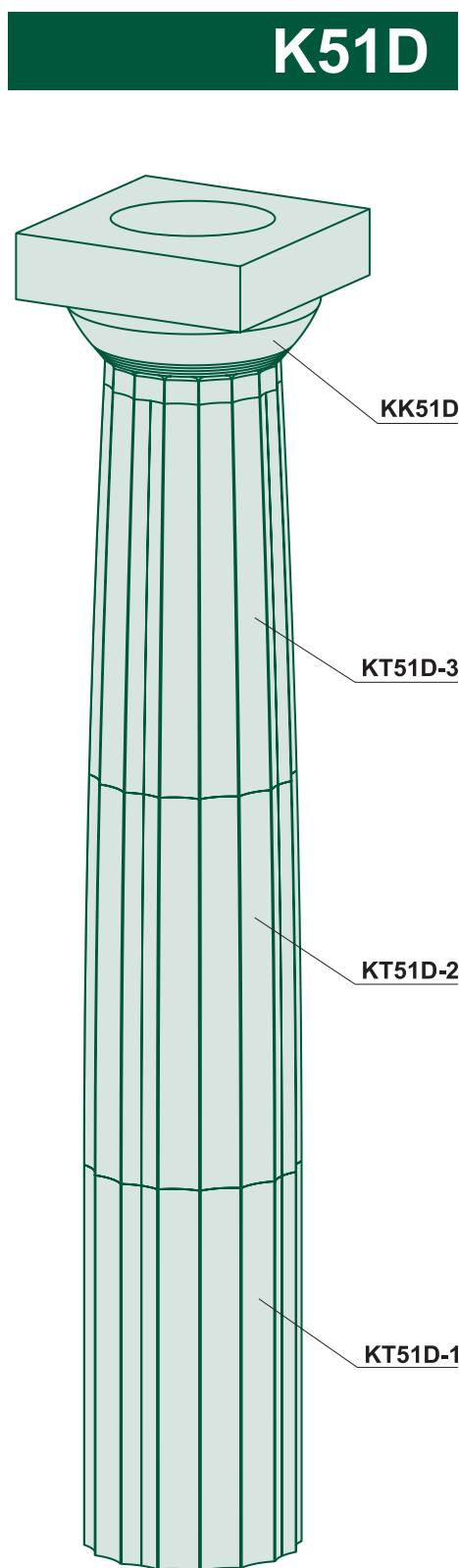
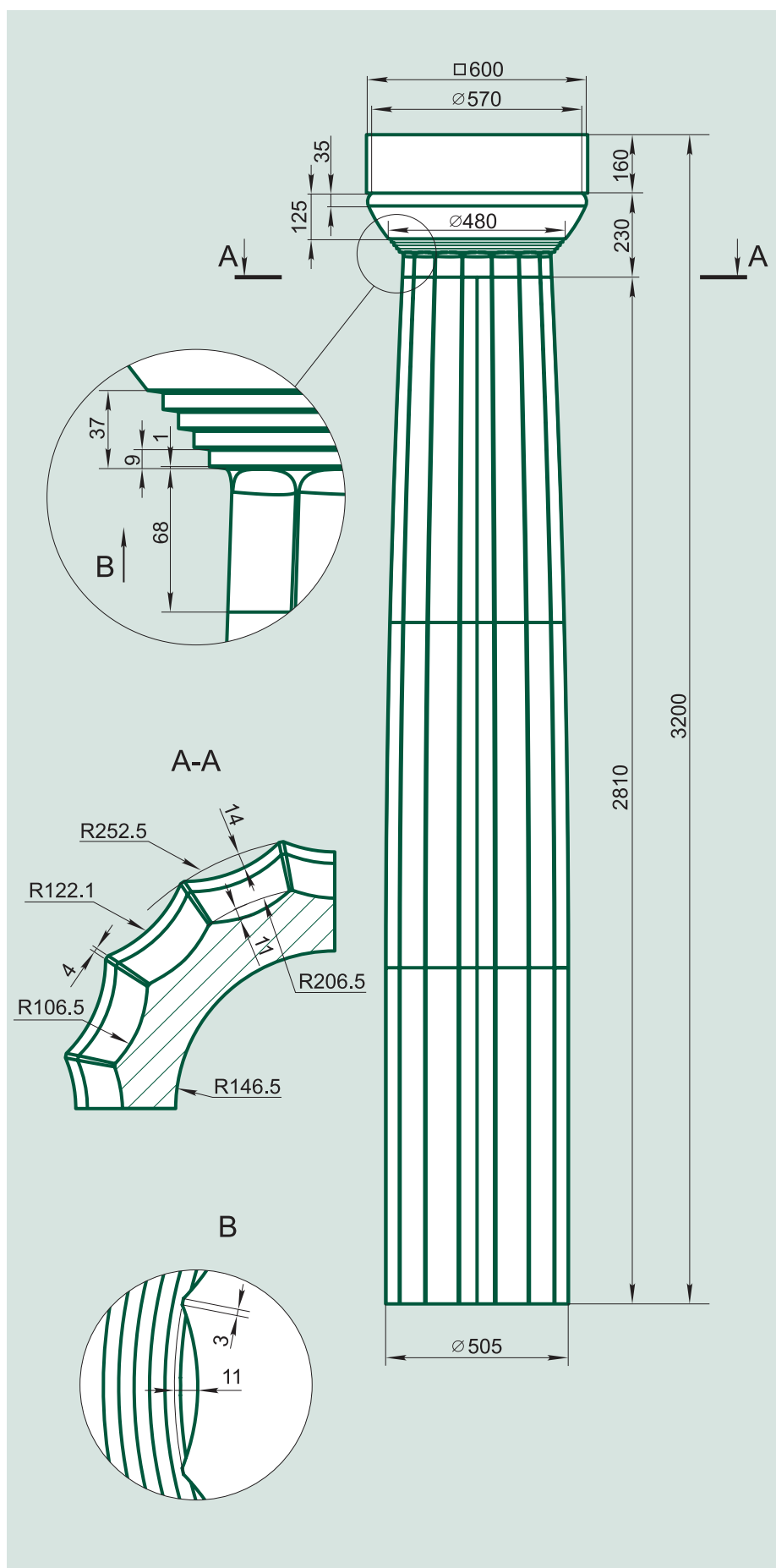
KA48T	2	52,2
KK48T	2	52,3
KT48T-1	2	87
KT48T-2	2	89
KT48T-3	2	87,5
KT48T-4	2	78,8
KT48T-5	2	68,2
KB48T	2	35
KP48T	2	47

# K49T



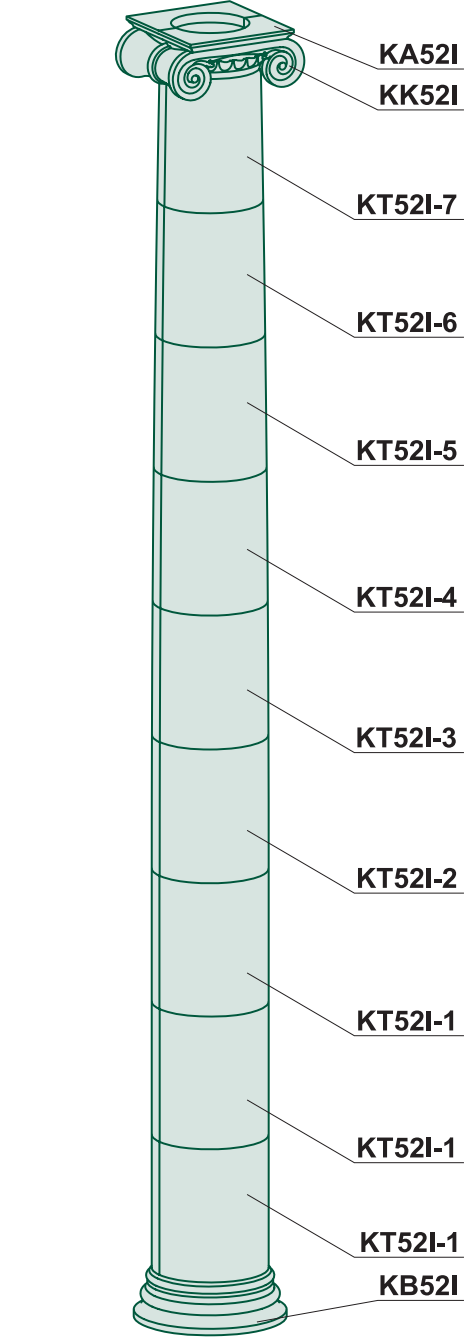
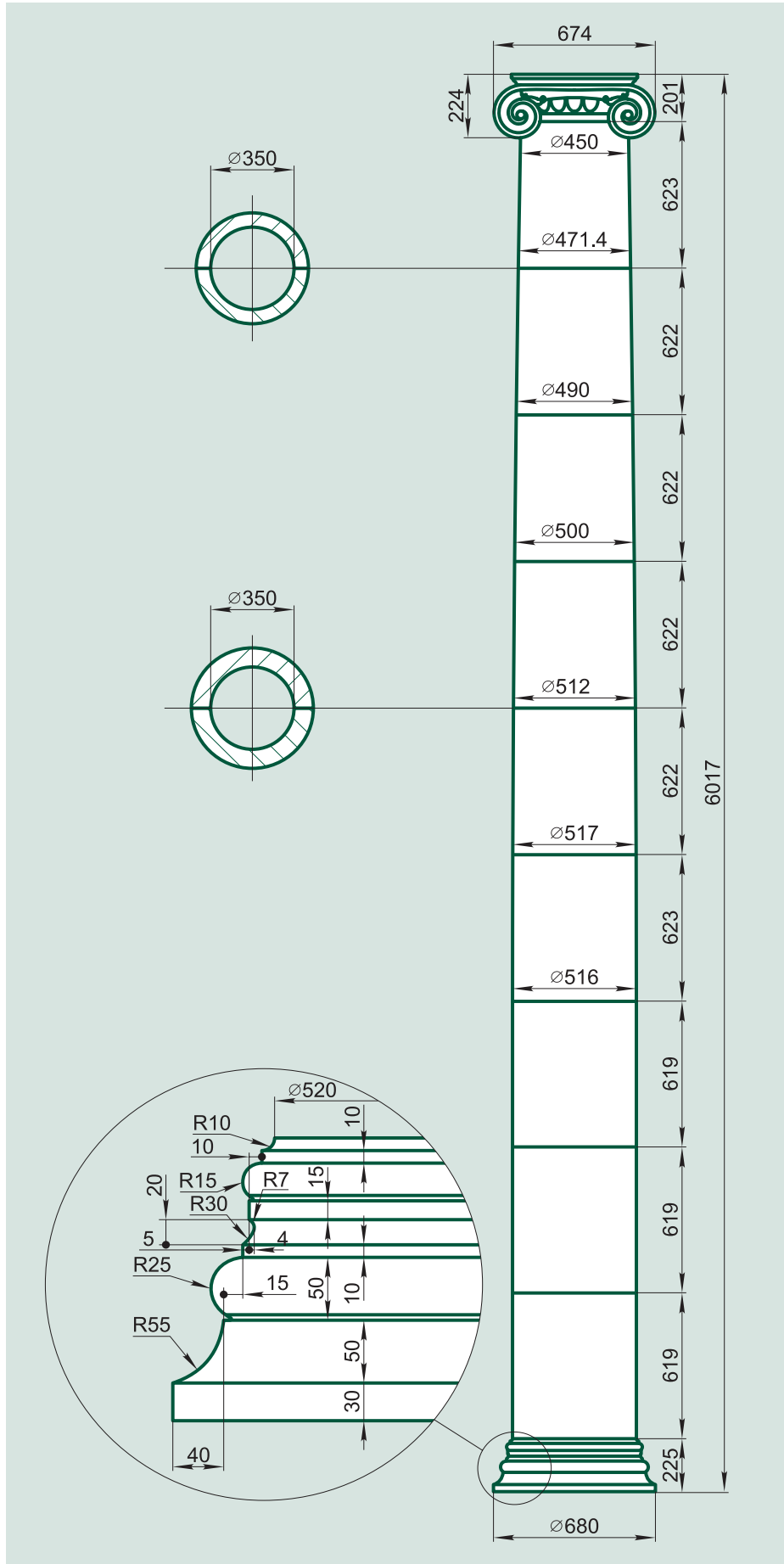
KA49T	2	25
KK49T	2	20,4
KT49T-4	2	54,1
KT49T-3	2	68,7
KT49T-2	2	84,2
KT49T-1	4	75,5
KB49T	2	37,2
KP49T	2	53,6

# K51D

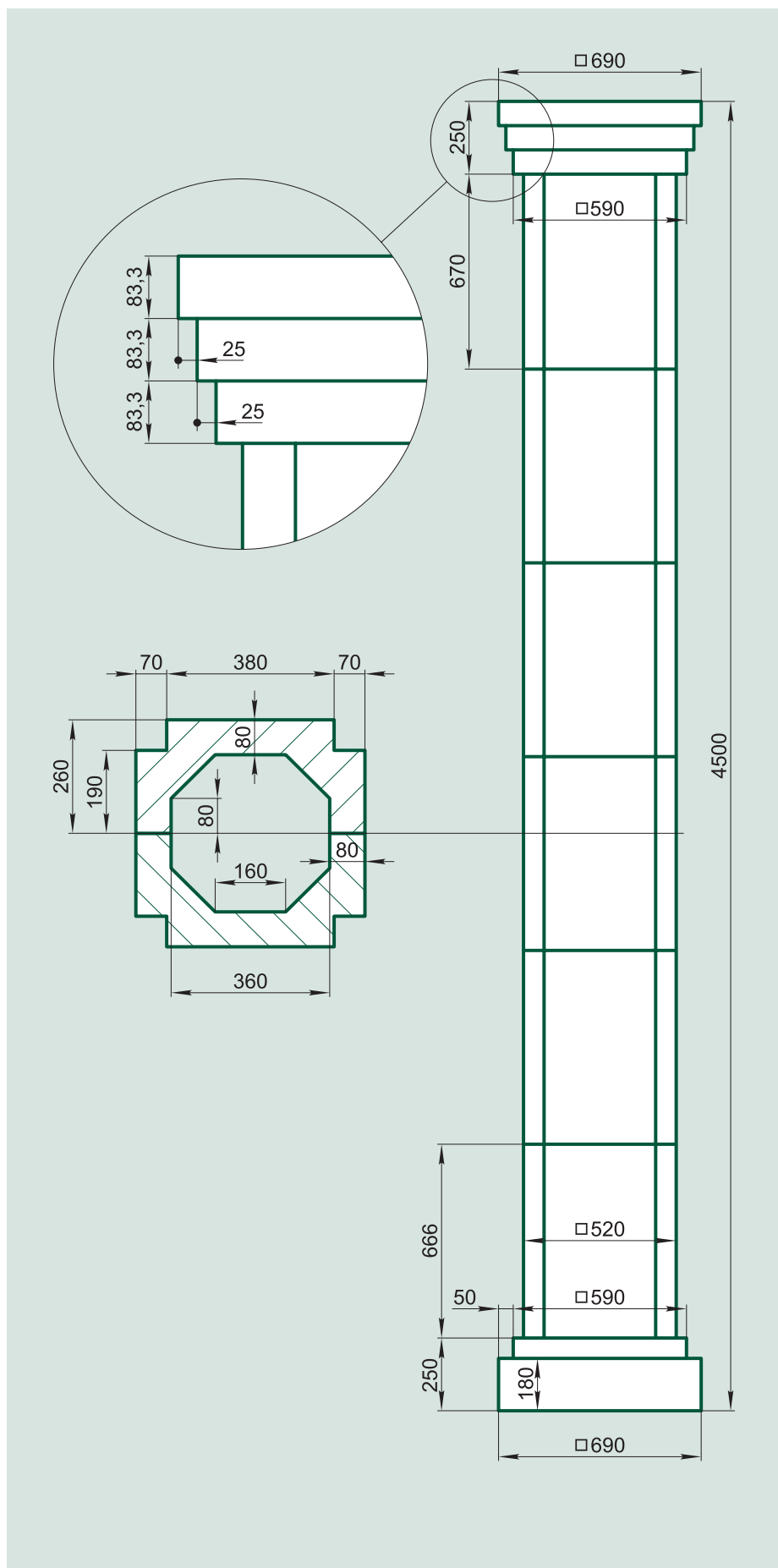


KT51D-1	4	60
KT51D-2	4	58,8
KT51D-3	4	42,5
KK51D	1	166,8

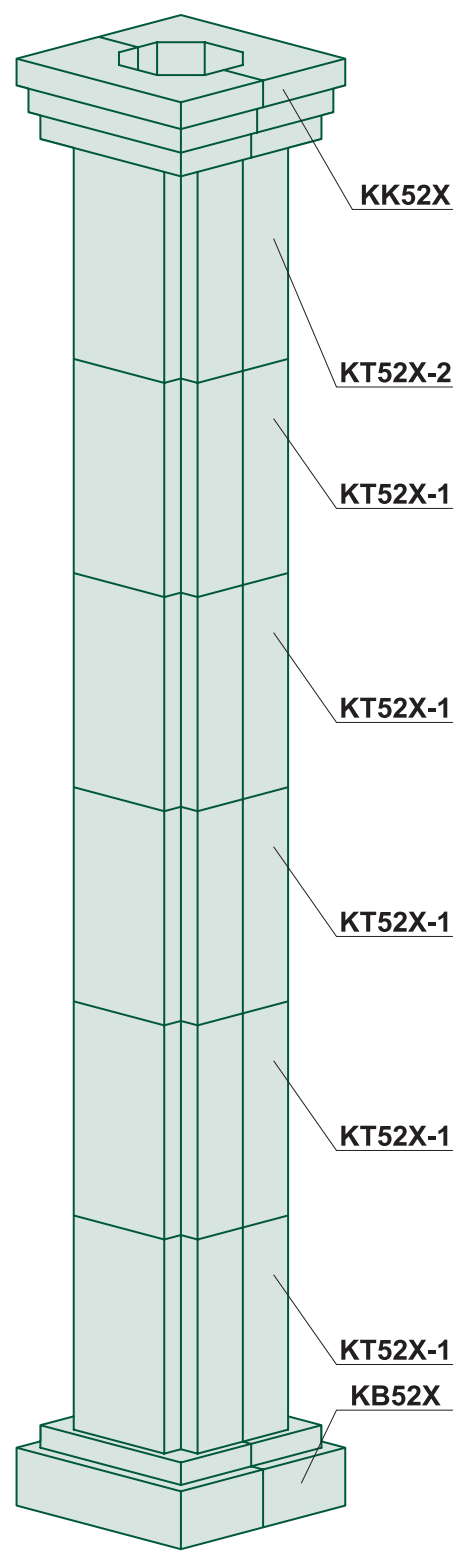
**K52I**



KA52I	2	18,4
KK52I	1	77
KT52I-7	2	48,3
KT52I-6	2	58,1
KT52I-5	2	66,2
KT52I-4	2	72,5
KT52I-3	2	76,7
KT52I-2	2	79
KT52I-1	6	79
KB52I	1	92,5

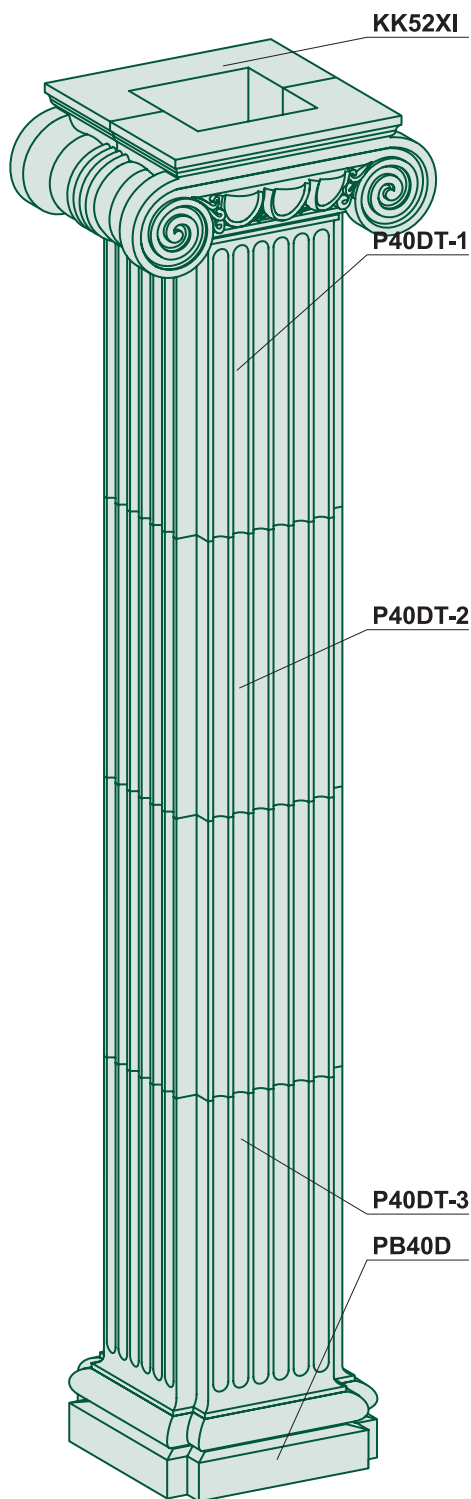
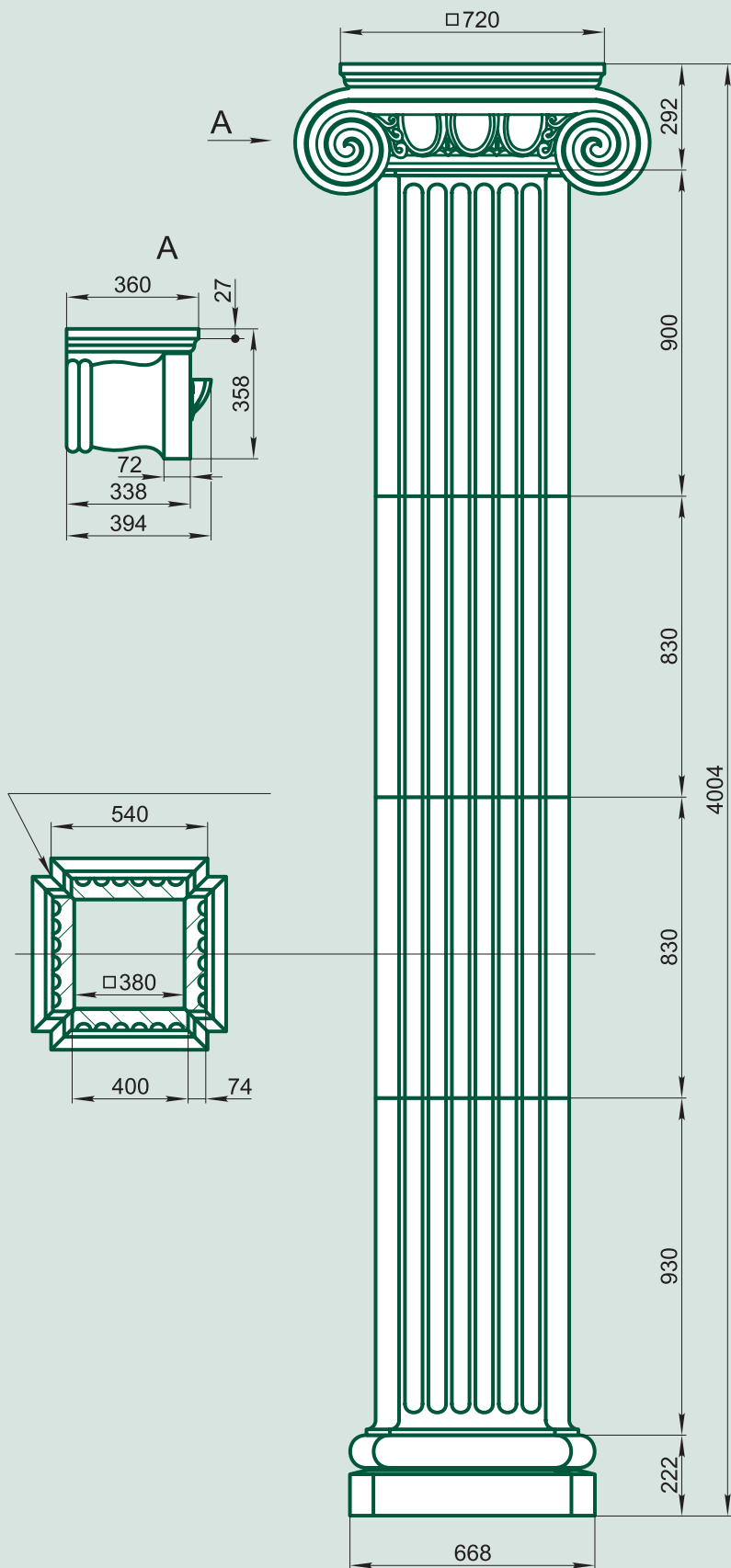


# K52X



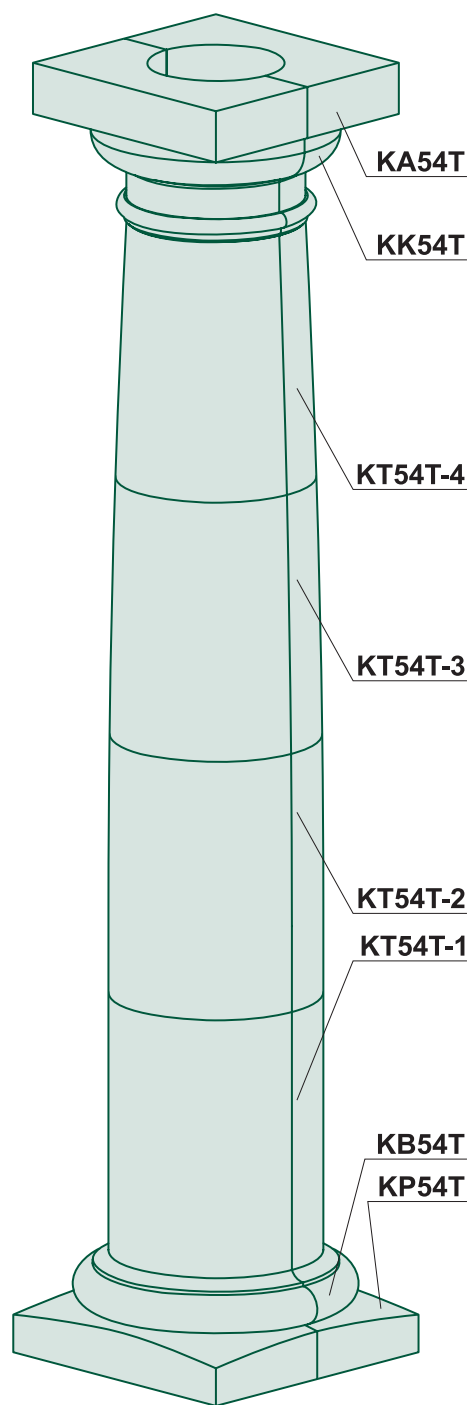
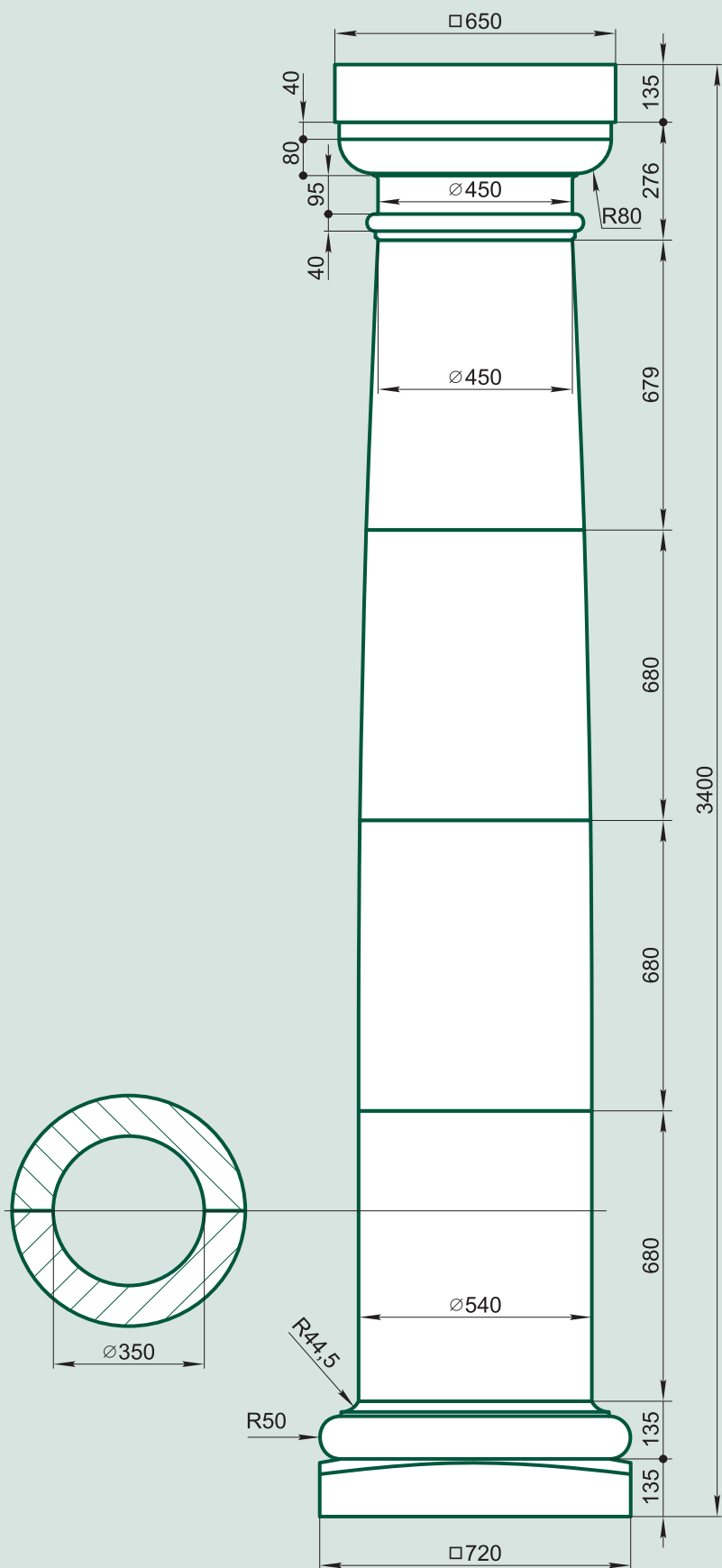
KK52X	2	83
KT52X-2	2	104
KT52X-1	10	103,5
KB52X	2	91

# K53XI



KK52XI	2	140,3
P40DT-1	4	48,6
P40DT-2	8	44
P40DT-3	4	51
PB40D	4	45

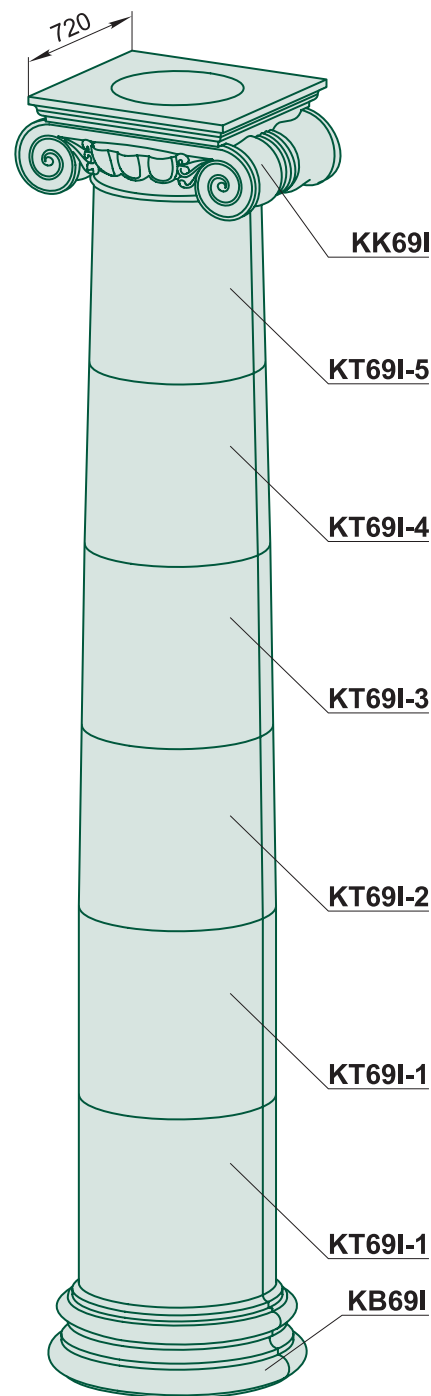
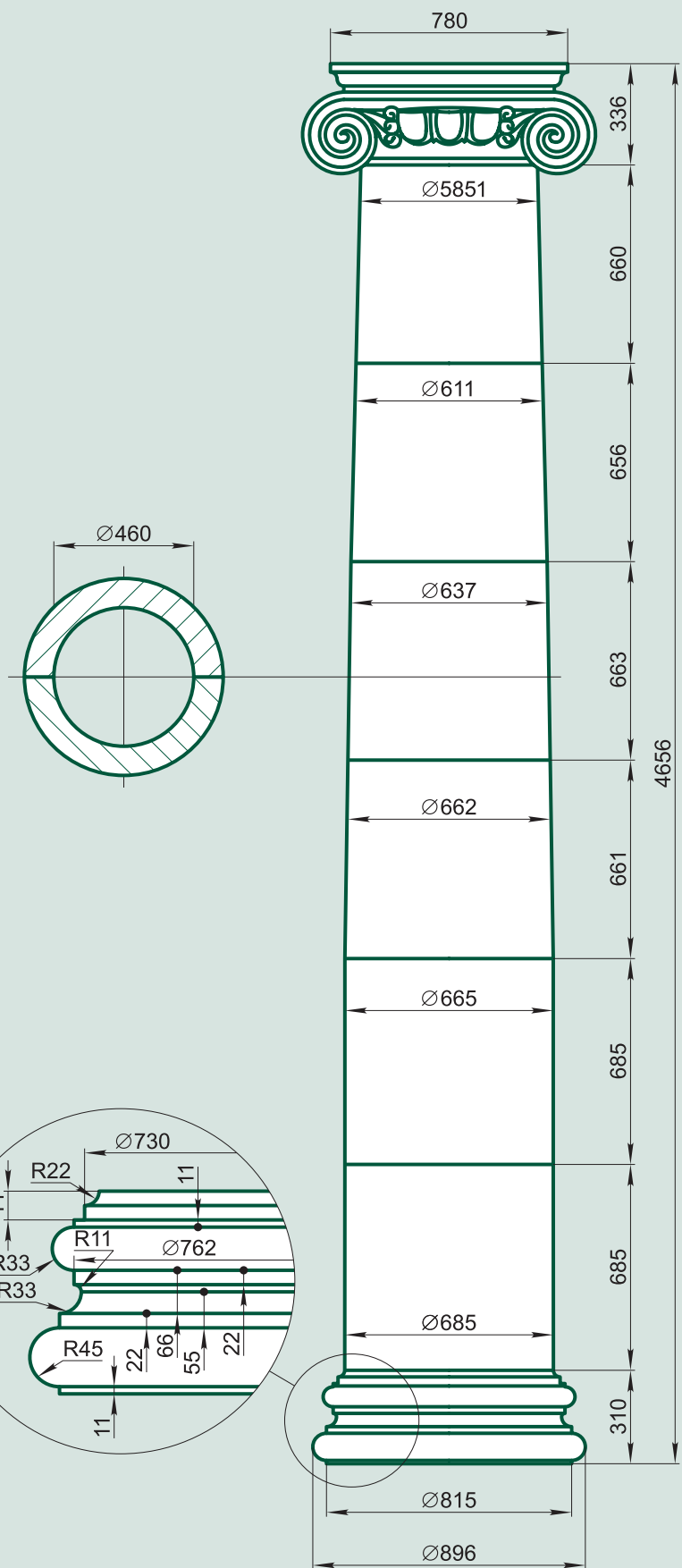
# K54T



KA54T	2	48,5
KK54T	2	38,1
KT54T-4	2	63,2
KT54T-3	2	88
KT54T-2	2	98,5
KT54T-1	2	99,2
KB54T	2	38
KP54T	2	60

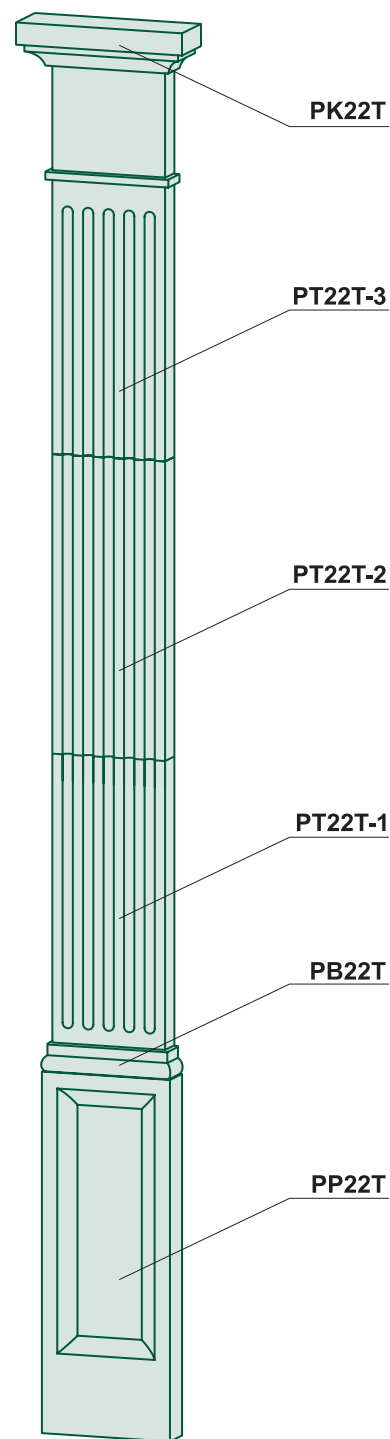
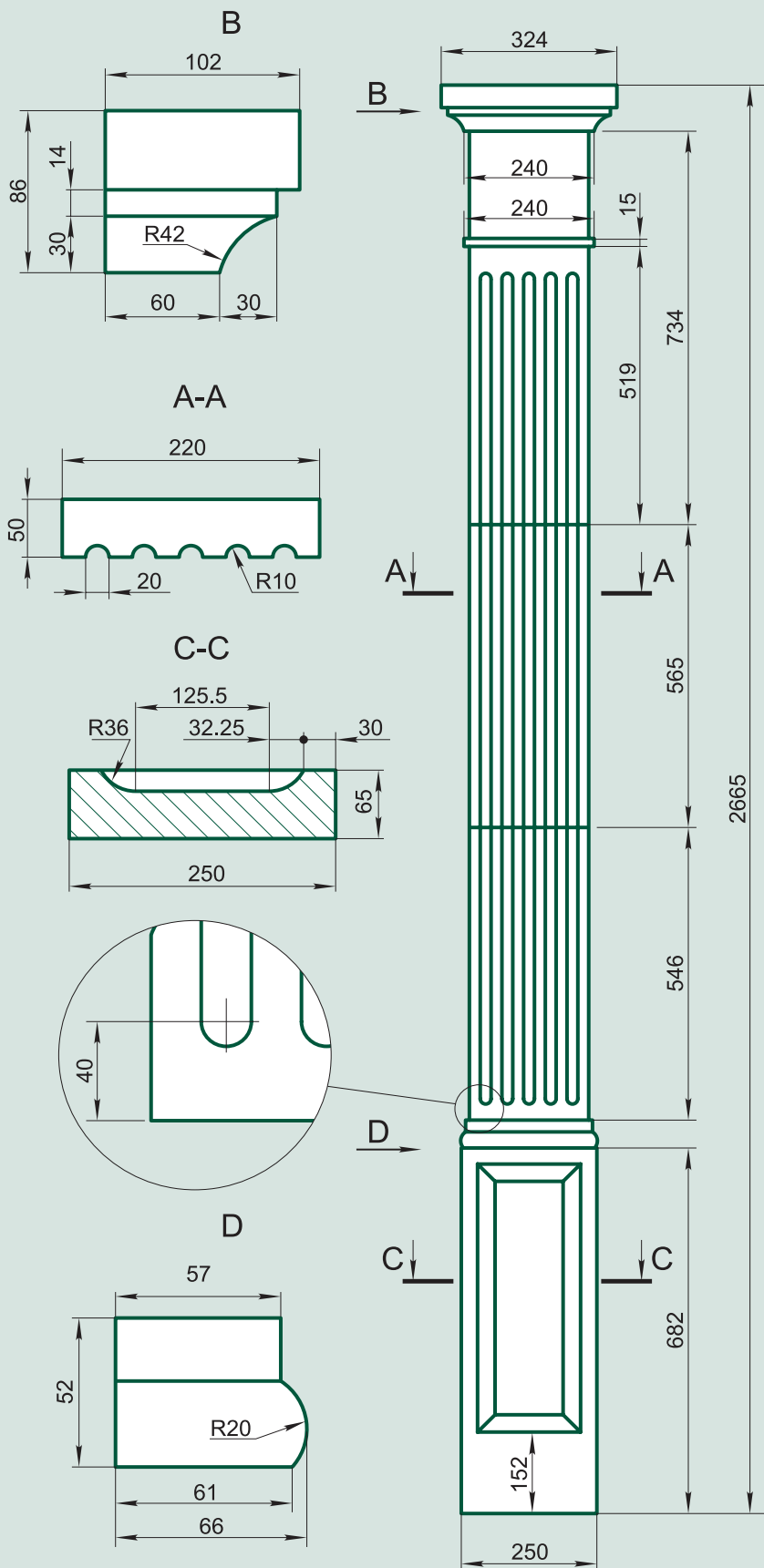


# K69I

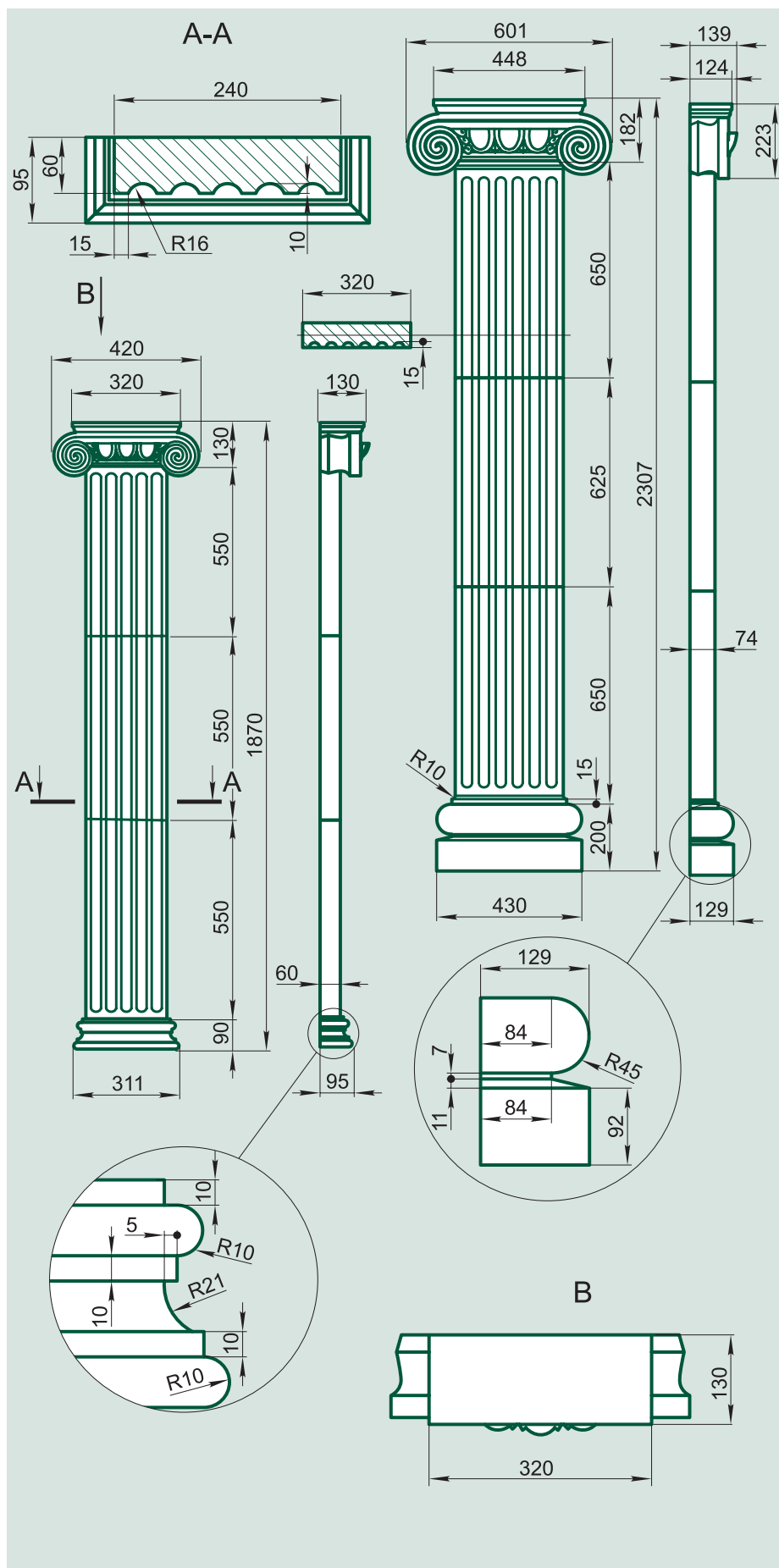


KK69I	1	245
KB69I	2	117
KT69I-1	4	152
KT69I-2	2	139
KT69I-3	2	124
KT69I-4	2	104
KT69I-5	2	82

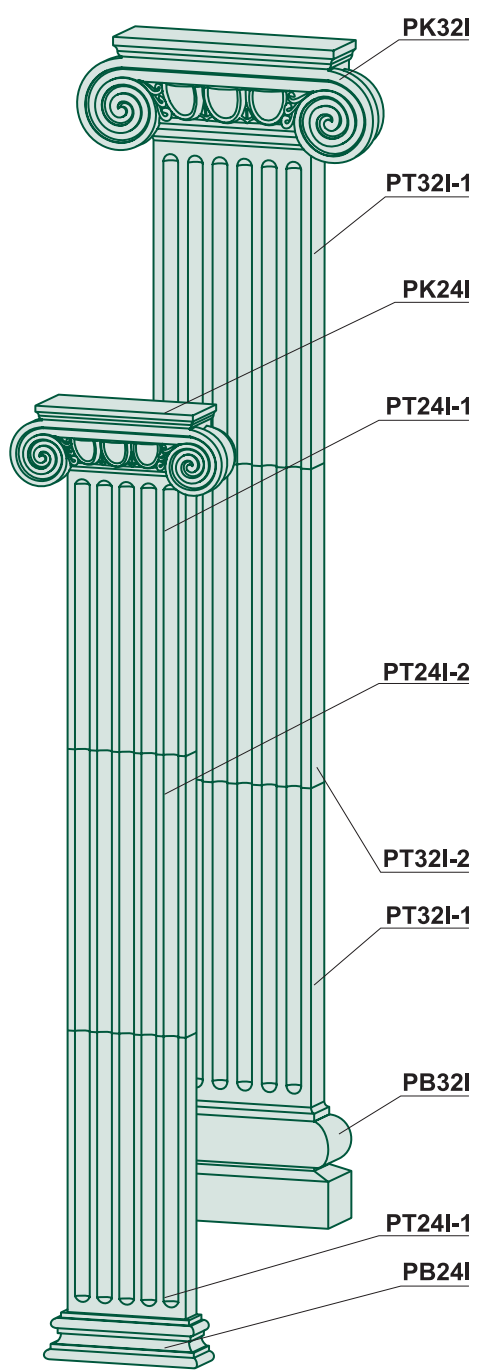
# P22T



PK22T	1	5,1
PT22T-3	1	17,1
PB22T	1	1,7
PT22T-1	1	12,3
PP22T	1	21
PT22T-2	1	13,8

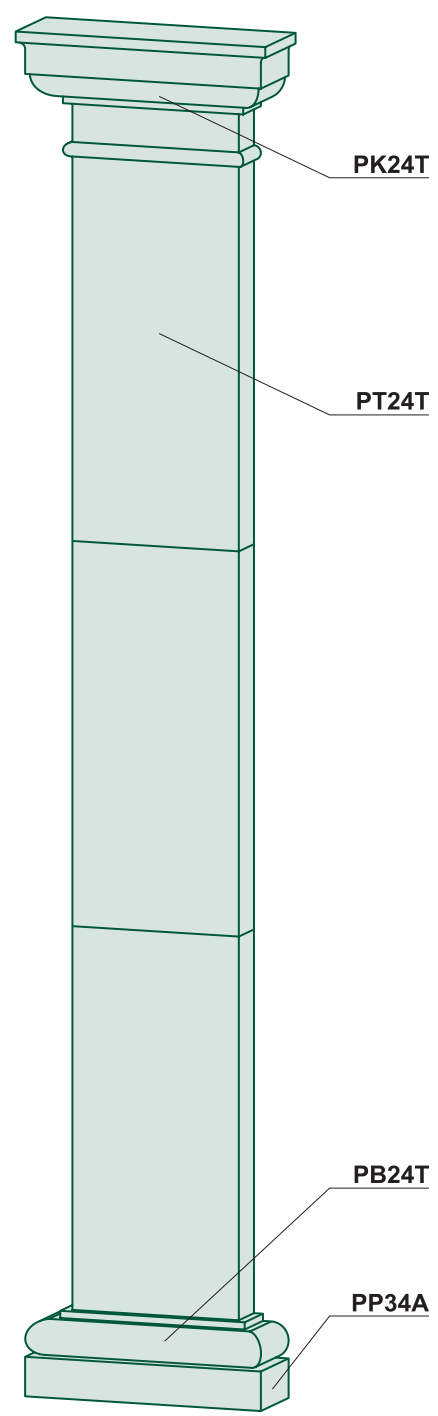
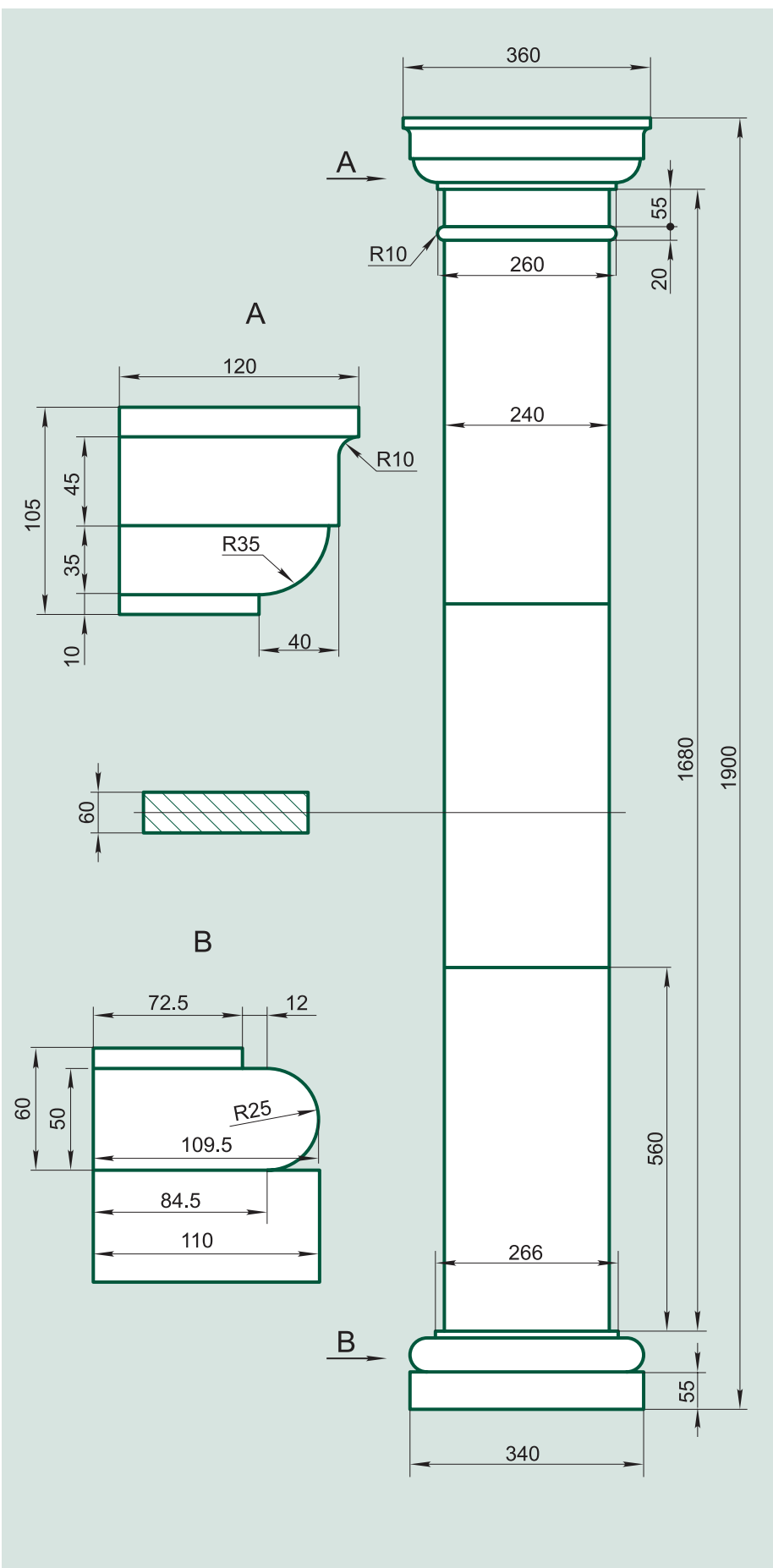


# P24I, P32I



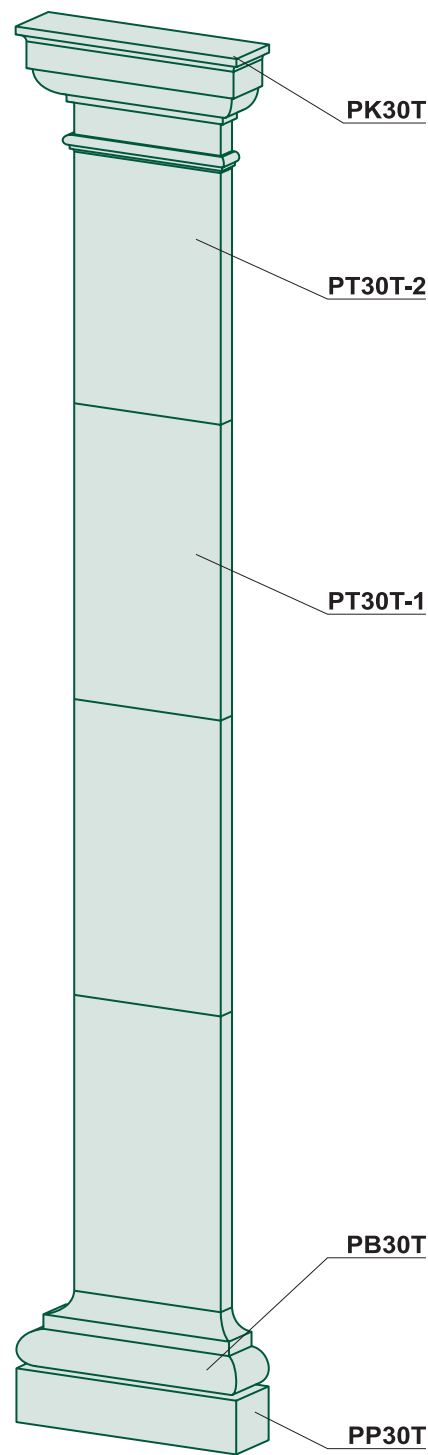
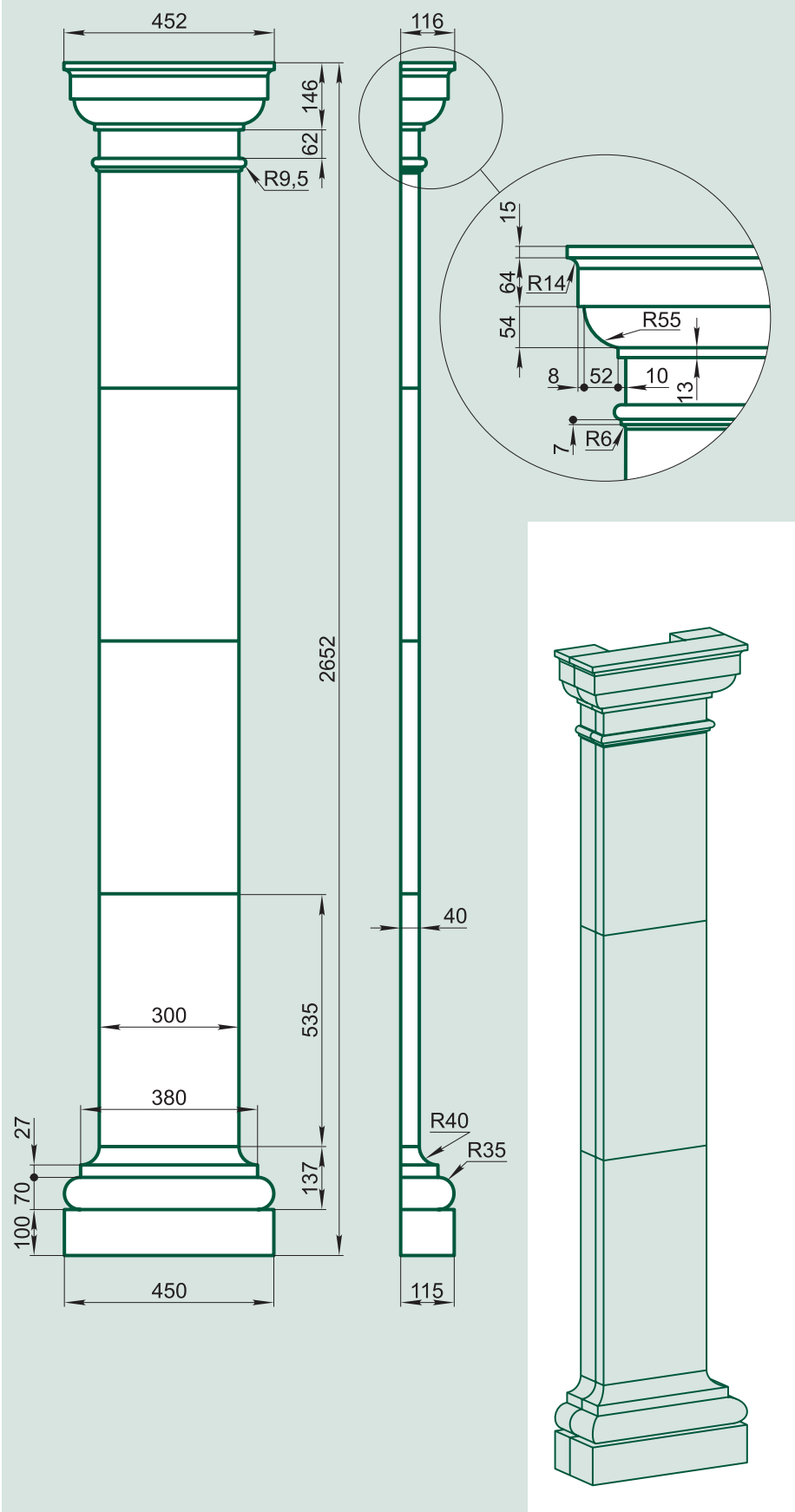
<b>P24I</b>	PK24I	1	13,5
	PT24I-1	1	16,1
	PT24I-2	2	16,2
	PB24I	1	4,5
<b>P32I</b>	PK32I	1	24,6
	PT32I-1	2	31,3
	PT32I-2	1	28,4
	PB32I	1	22,4

**P24T**



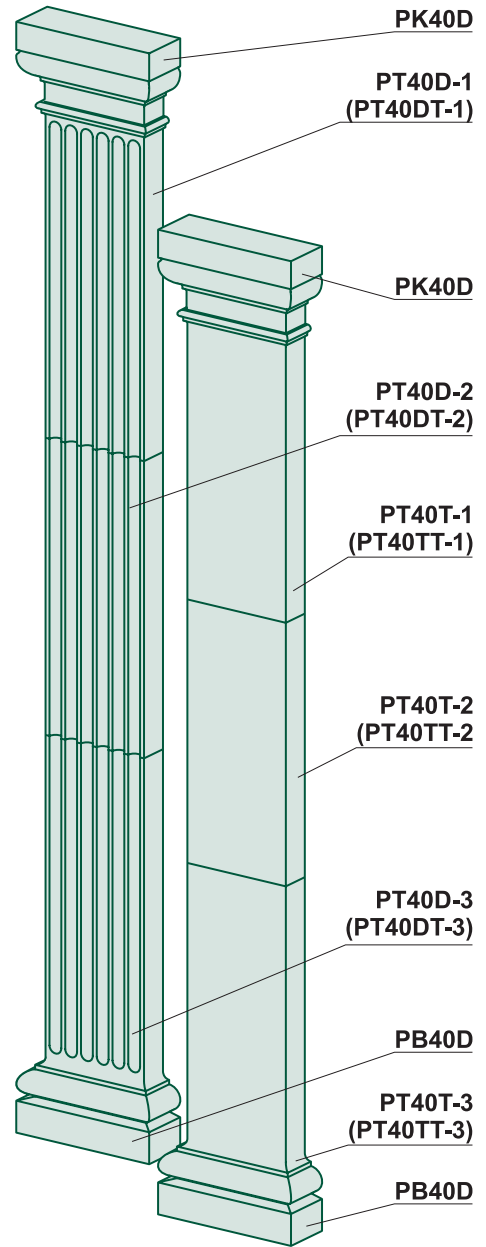
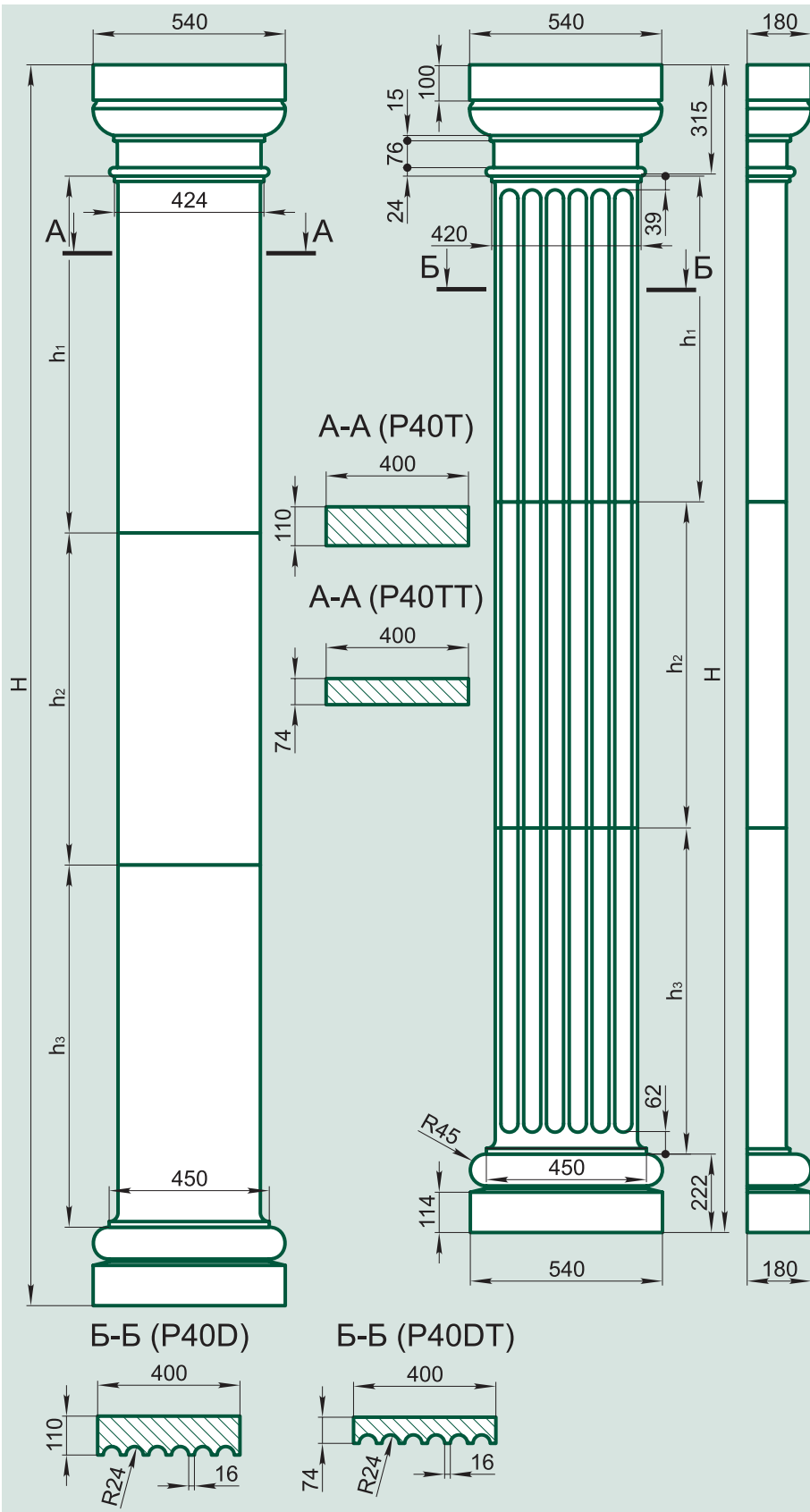
PB24T	1	4,2
PT24T	1	53,3
PK24T	1	8
PP34A	1	4,5

**P30T**



PK30T	1	12,2
PT30T-2	1	15,1
PT30T-1	3	14,5
PB30T	1	10,4
PP30T	1	11,4

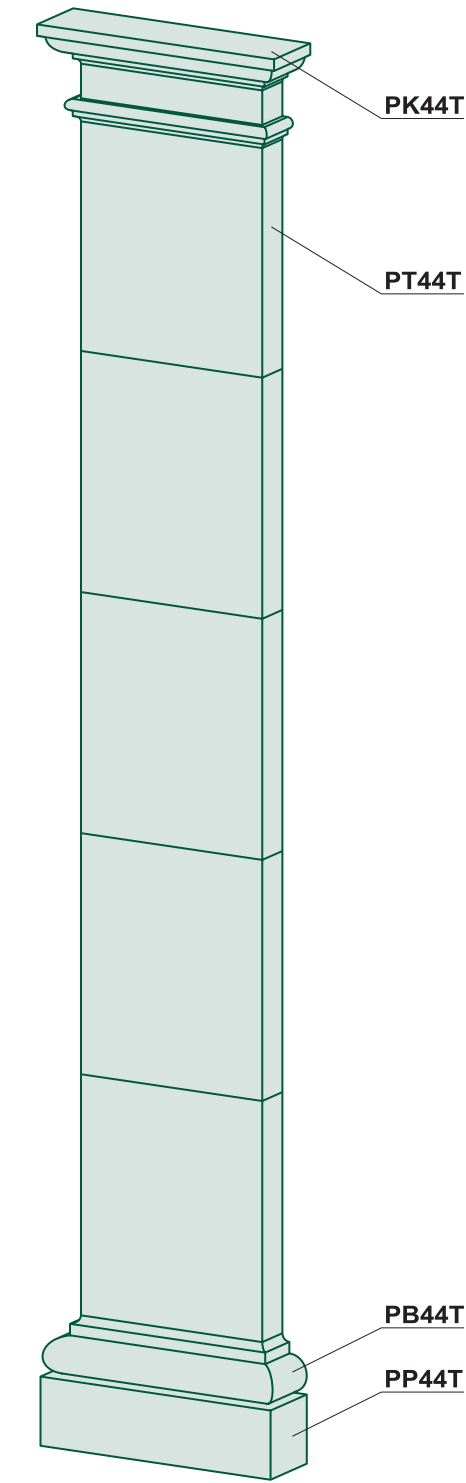
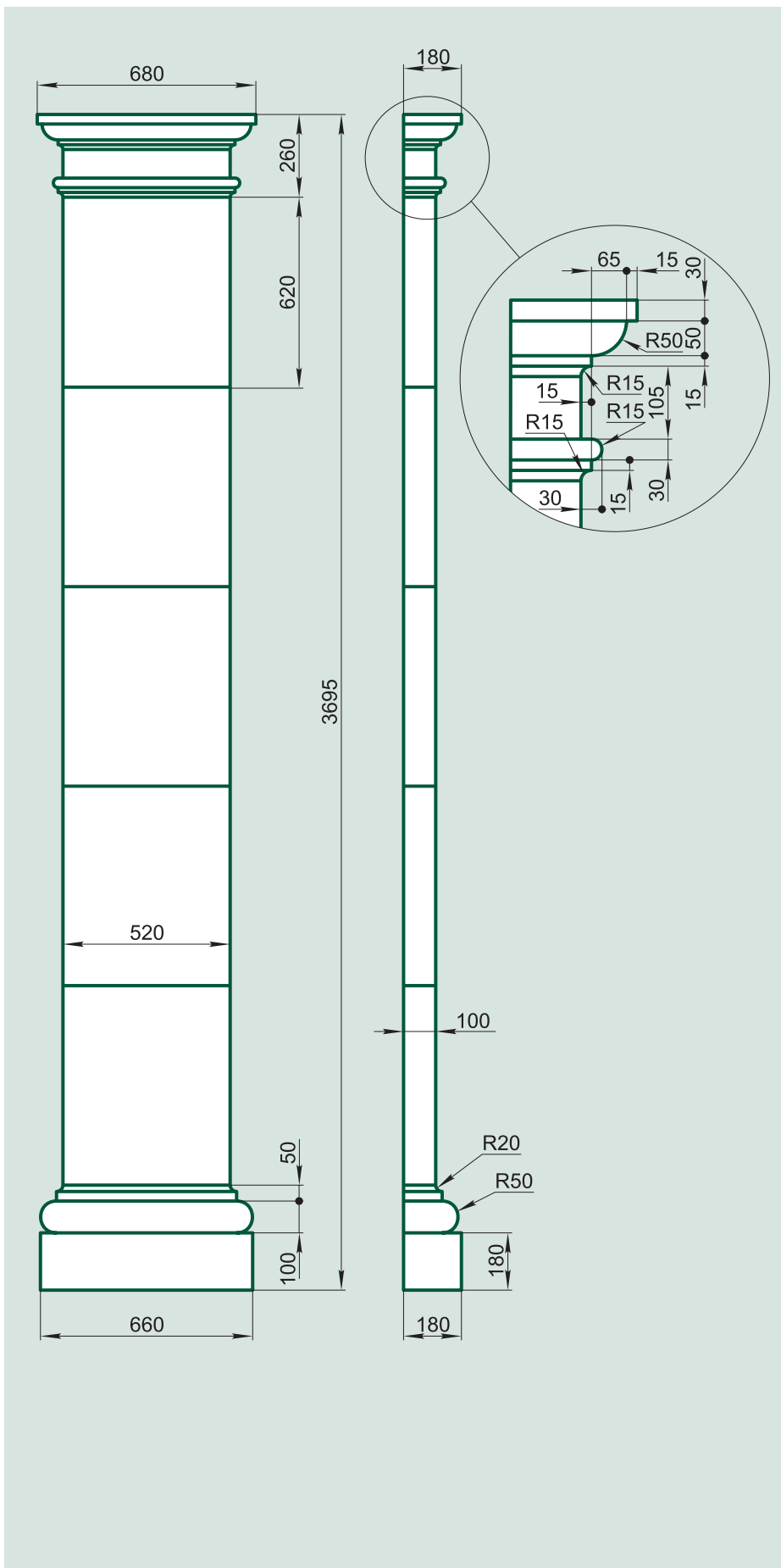
# P40D, P40T



PK40D	1	53
PB40D	1	45
<b>P40D</b>		
PT40D-1	1	100,5
PT40D-2	1	90
PT40D-3	1	102,6
<b>P40DT</b>		
PT40DT-1	1	48,6
PT40DT-2	1	44,1
PT40DT-3	1	51
<b>P40T</b>		
PT40T-1	1	98
PT40T-2	1	91
PT40T-3	1	100
<b>P40TT</b>		
PT40TT-1	1	71,9
PT40TT-2	1	65,1
PT40TT-3	1	73,6

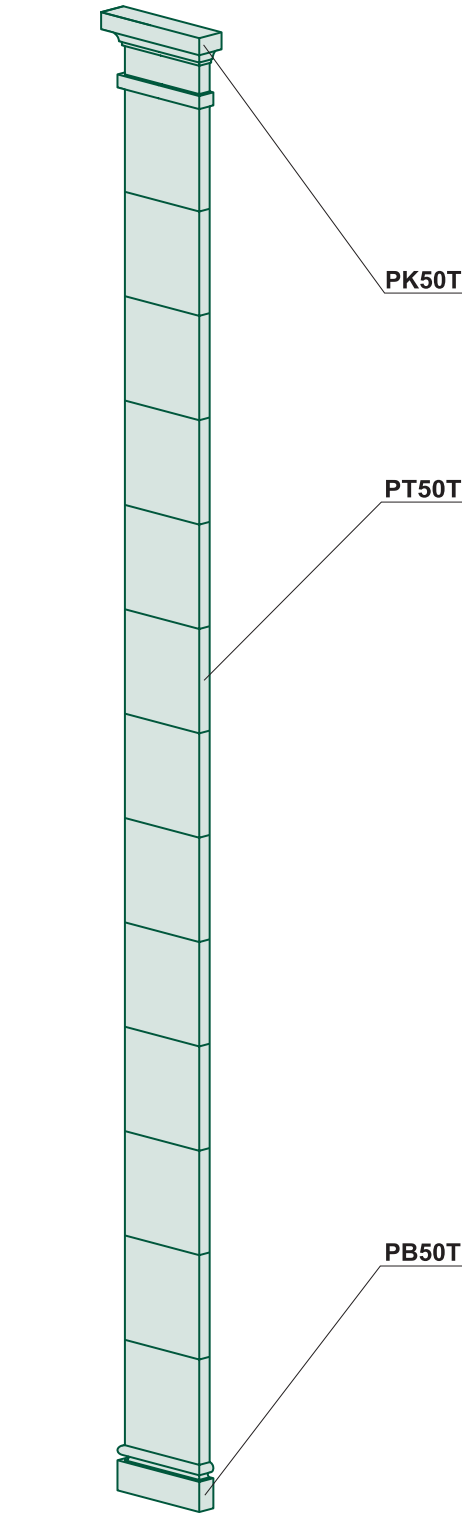
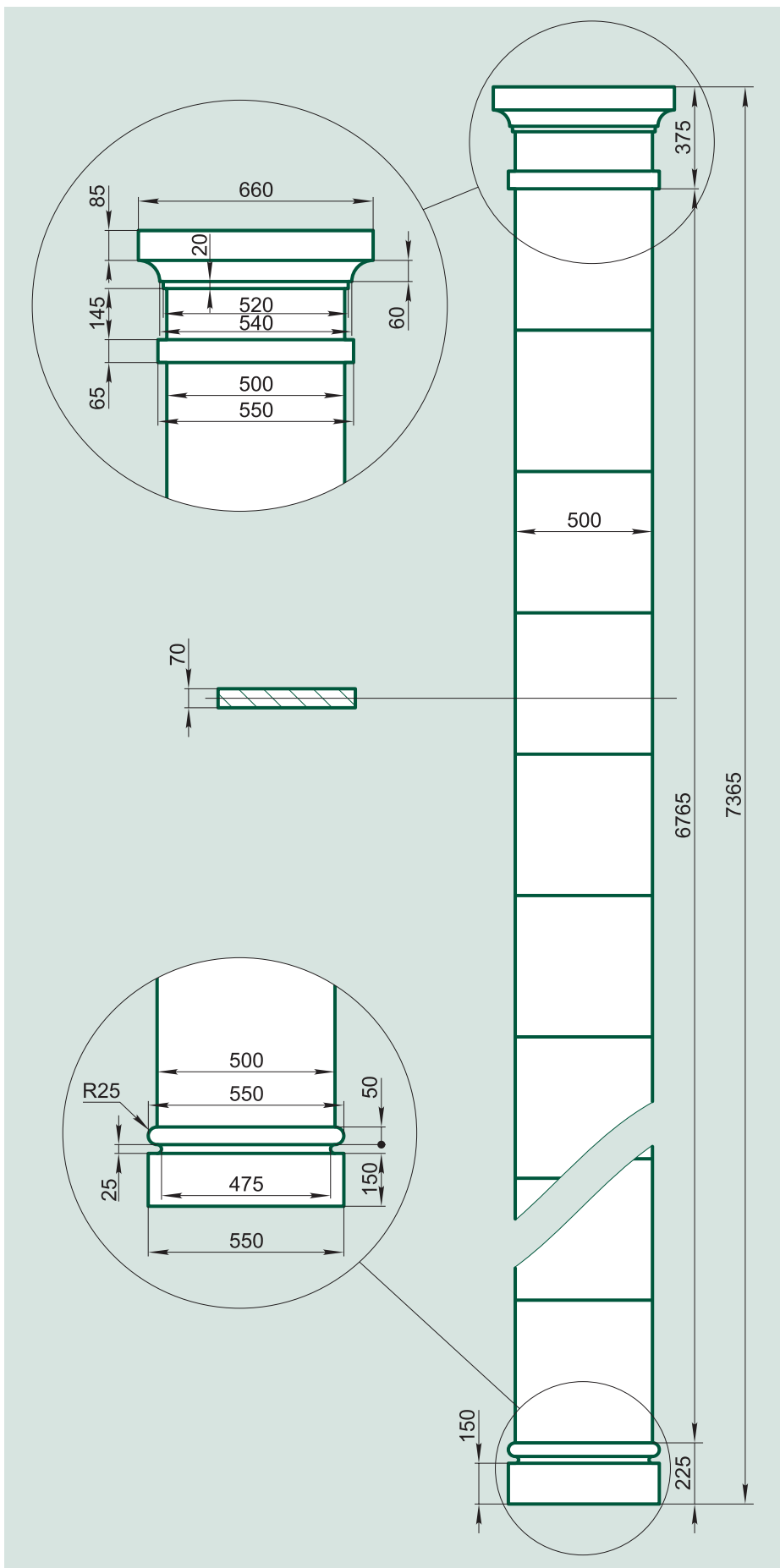
	h <sub>1</sub>	h <sub>2</sub>	h <sub>3</sub>	H	
<b>P40D</b>	1175	1060	1190	3962	391
<b>P40DT</b>	900	830	930	3197	242
<b>P40T</b>	1010	940	1025	3512	387
<b>P40TT</b>	1100	1000	1120	3757	309

**P44T**



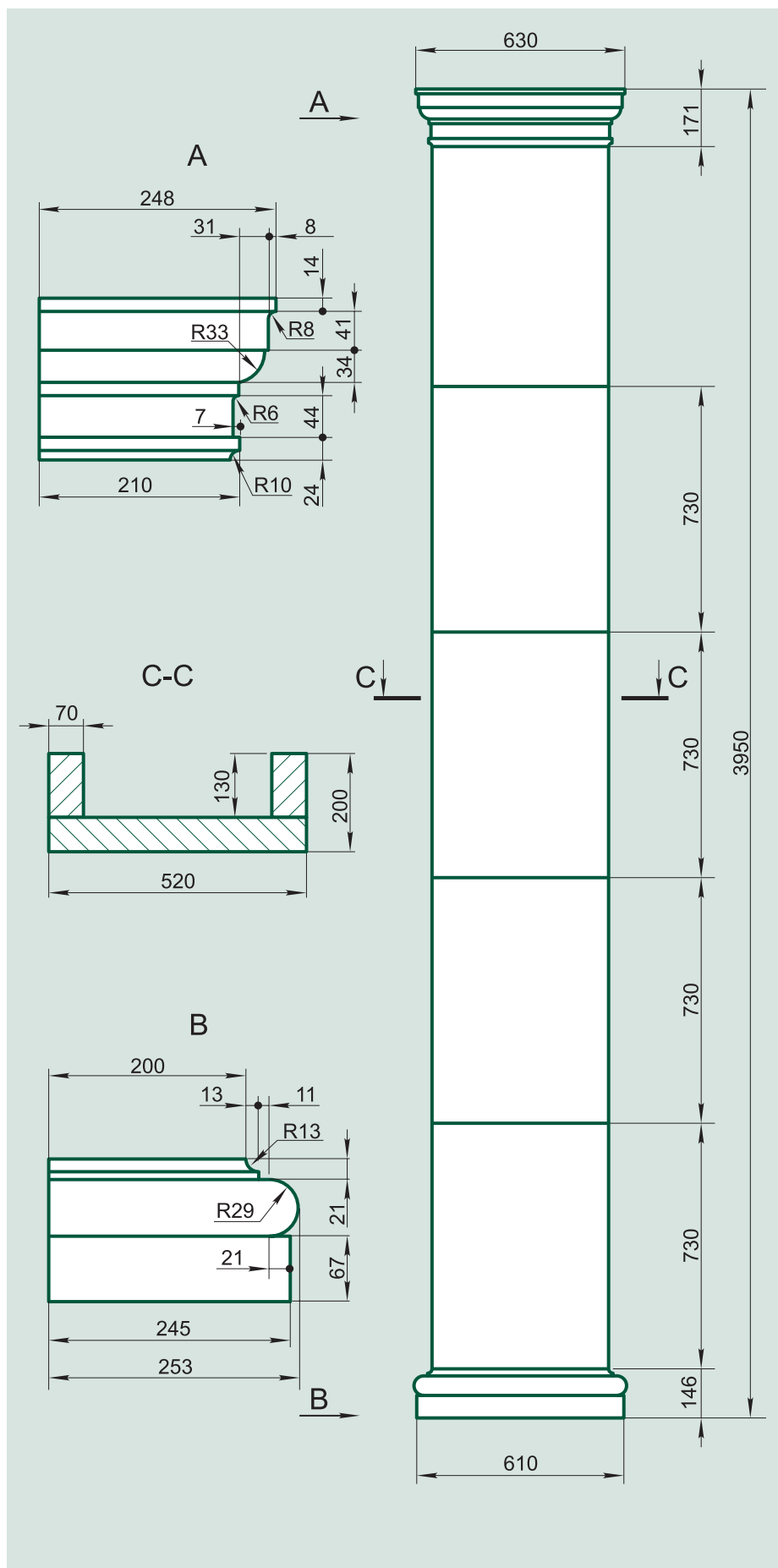
PK44T	1	41,3
PT44T	5	71,8
PB44T	1	29,3
PP44T	1	47

**P50T**

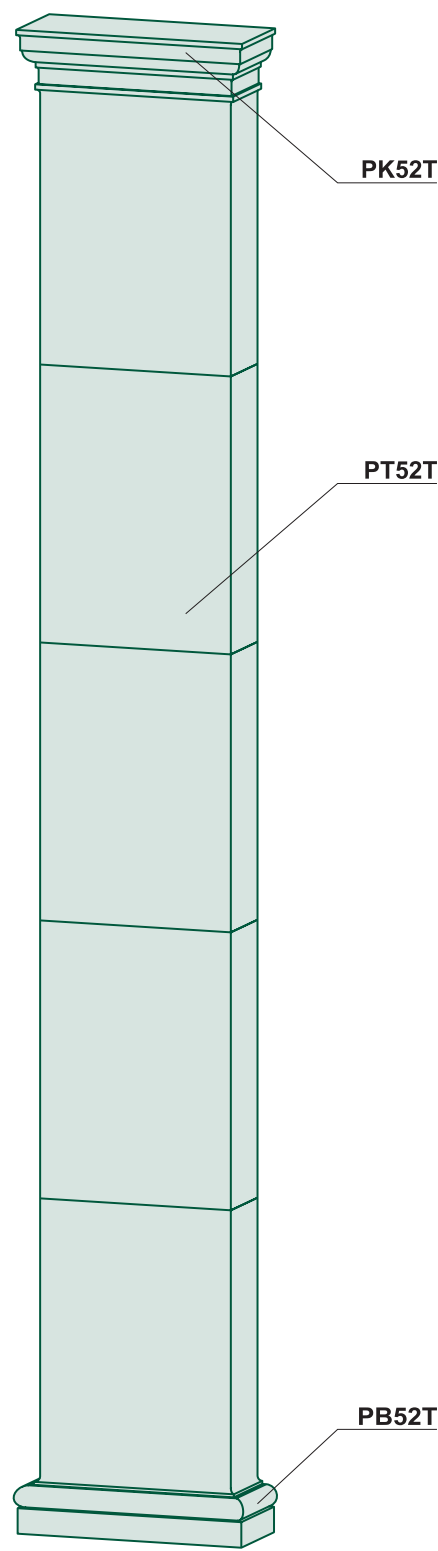


PT50T	13	40
PB50T	1	24
PK50T	1	47



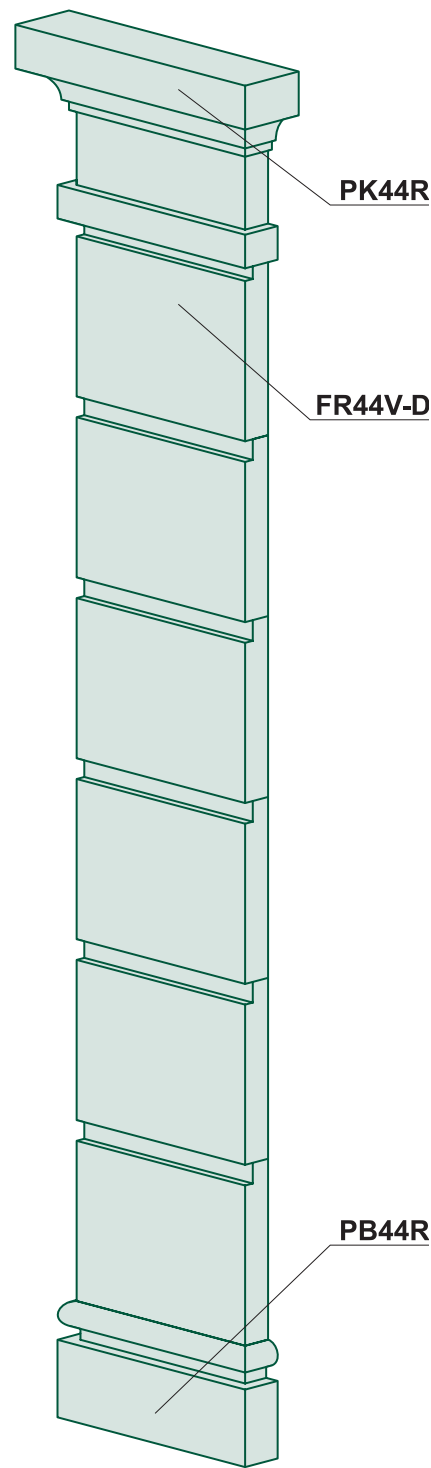
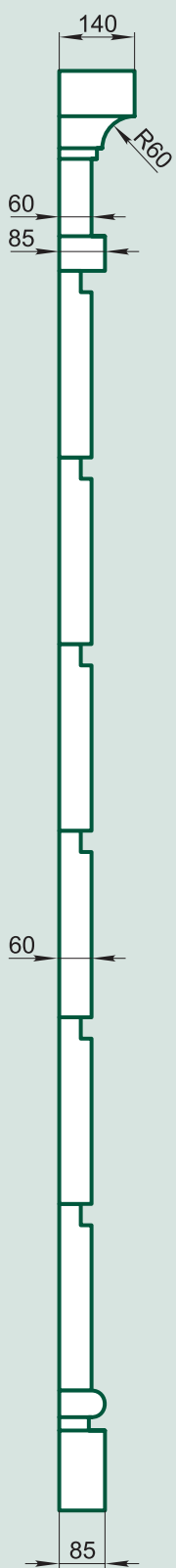
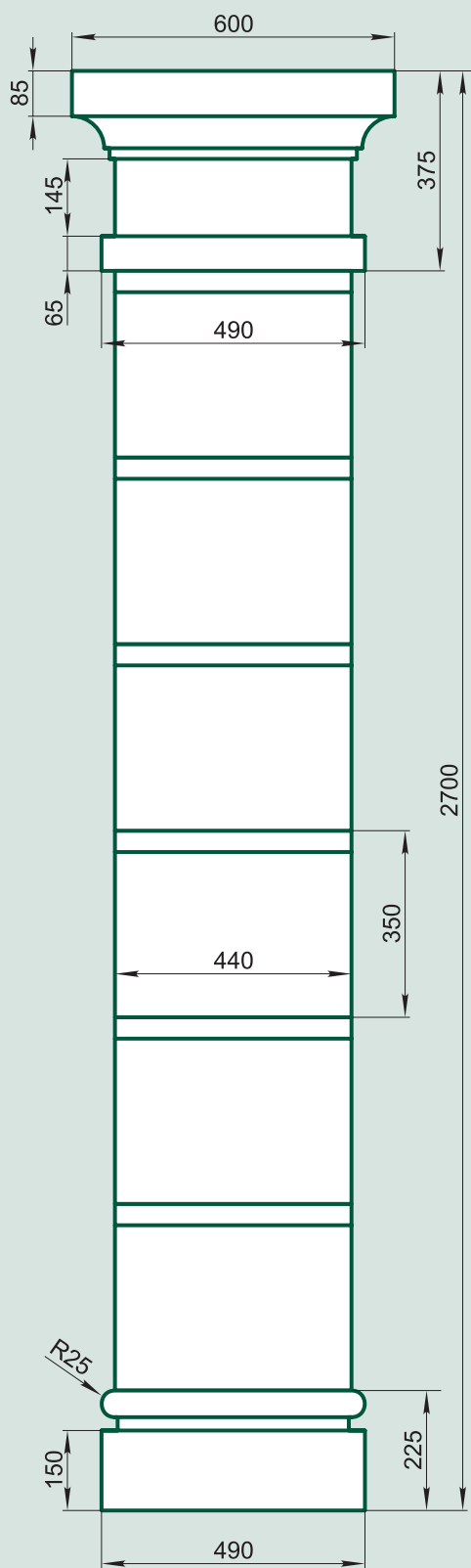


# P52T



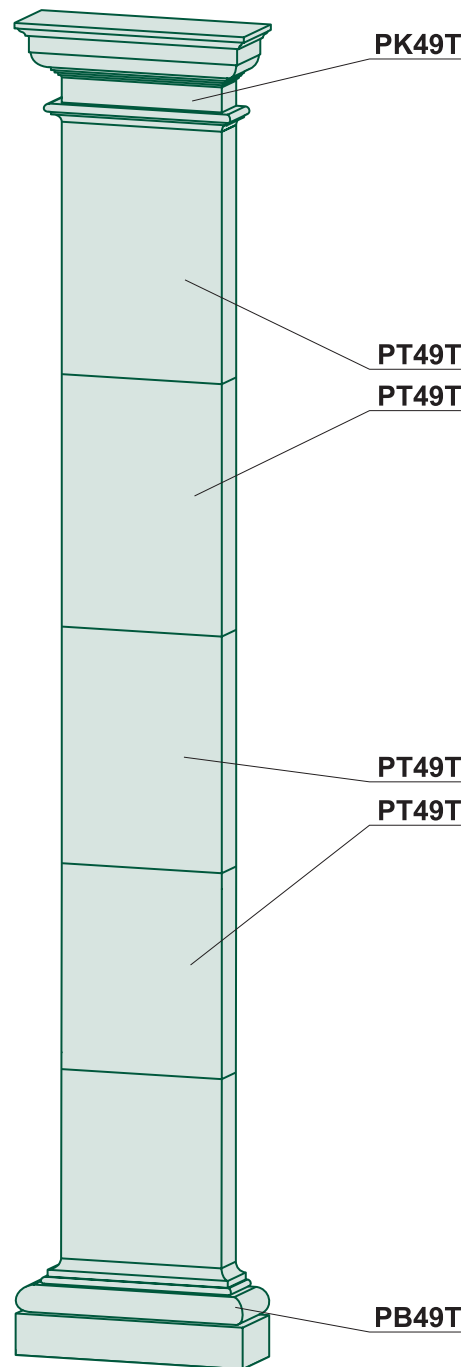
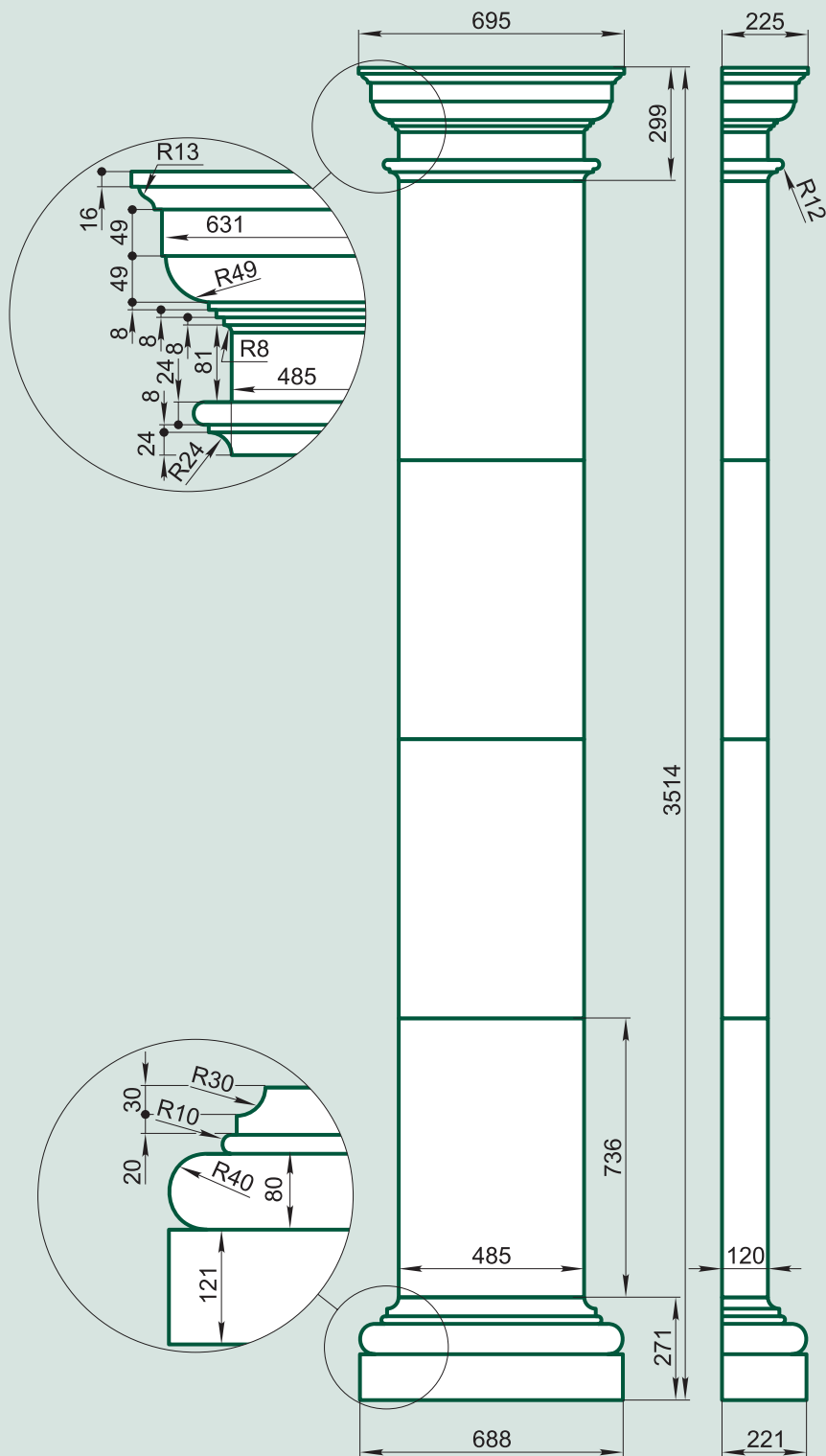
<b>PK52T</b>	1	46,5
<b>PT52T</b>	5	87,7
<b>PB52T</b>	1	47,3

**P50R**

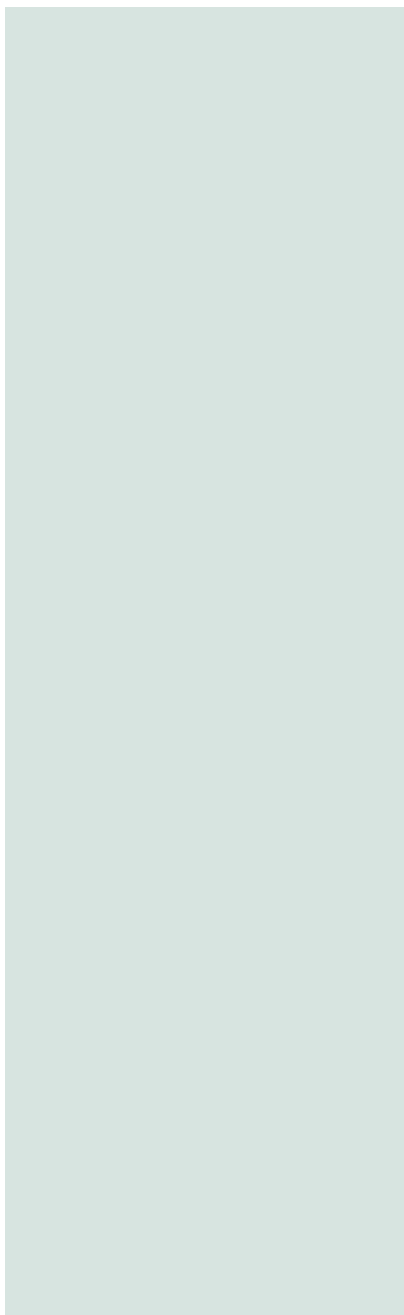


PK44R	1	37,8
FR44V-D	6	20,3
PB44R	1	19,3

**P49T**

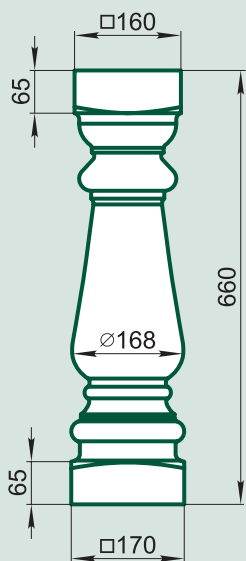


PK49T	1	61
PT49T	4	94,2
PB49T	1	77,5

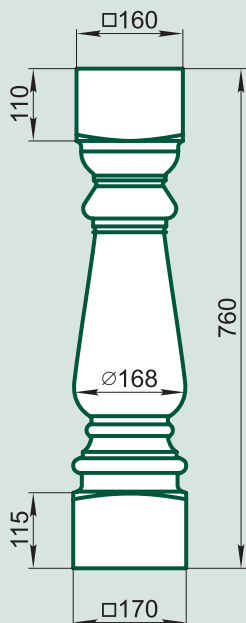


# БАЛЮСТРАДА

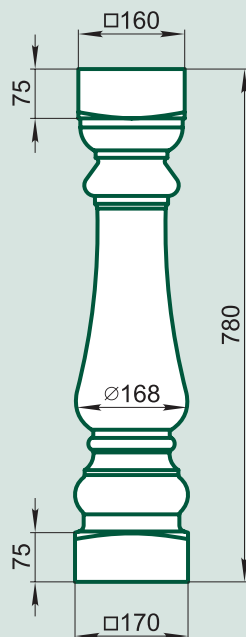
**BB66K**



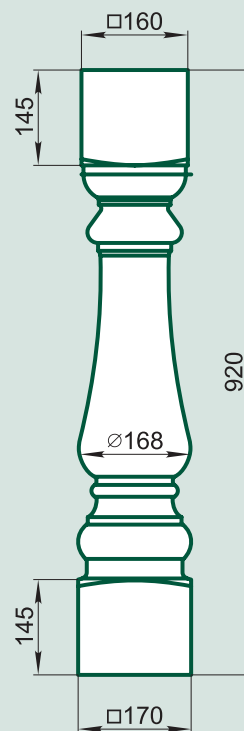
**BB66KL**



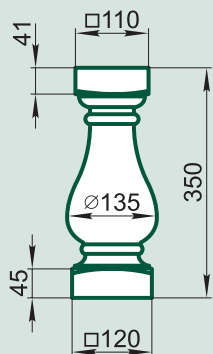
**BB78K**



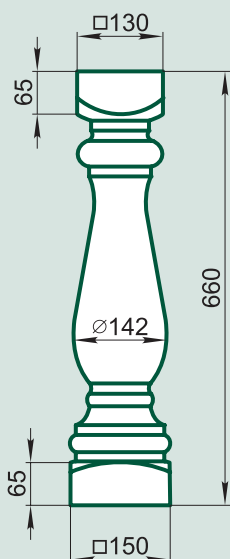
**BB78KL**



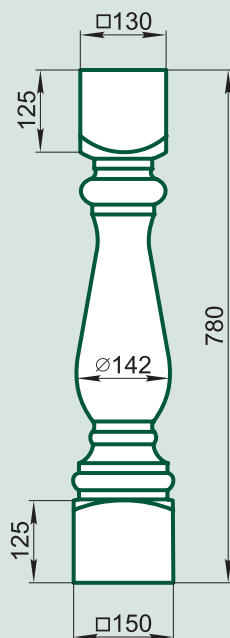
**BB35I**



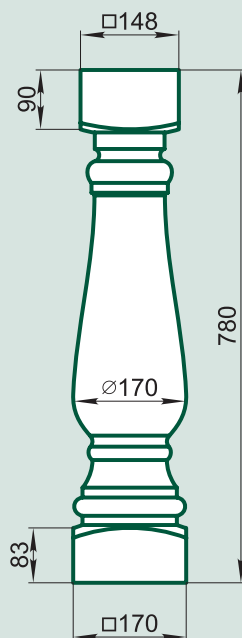
**BB66I**



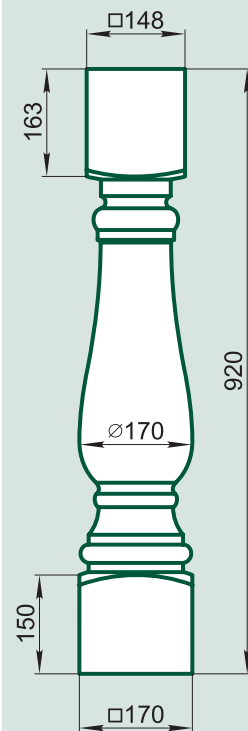
**BB66IL**



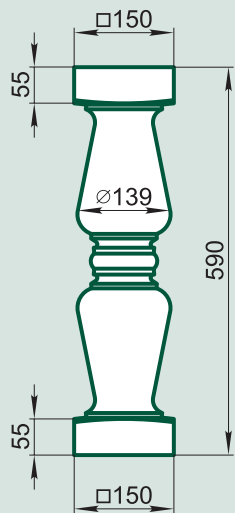
**BB78I**



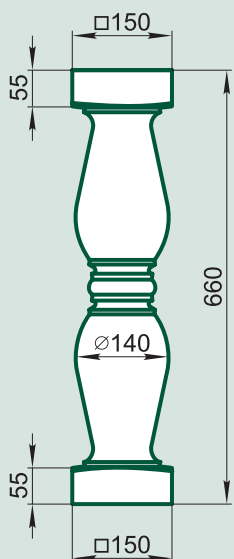
**BB78IL**



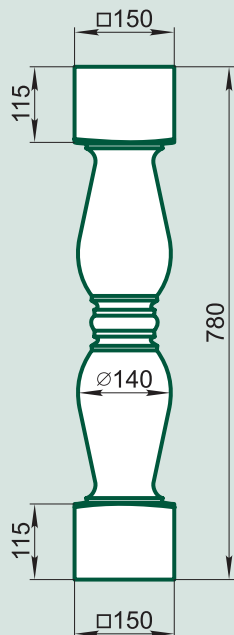
**BB59D**



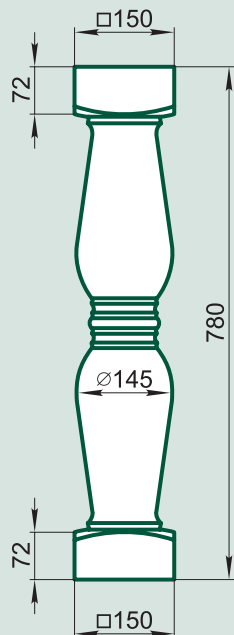
**BB66D**



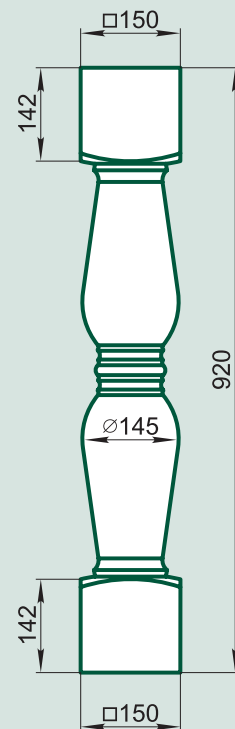
**BB66DL**



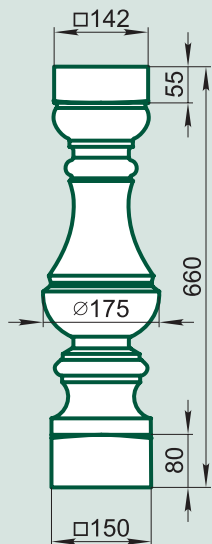
**BB78D**



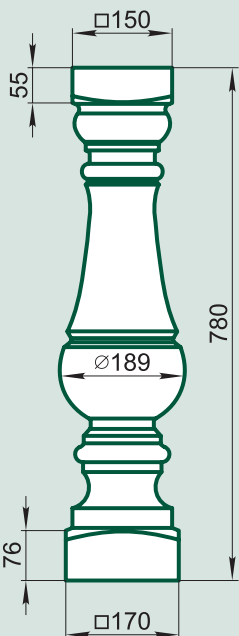
**BB78DL**



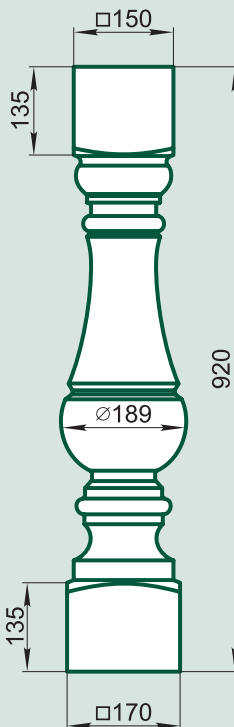
**BB66N**



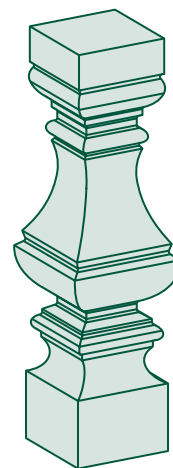
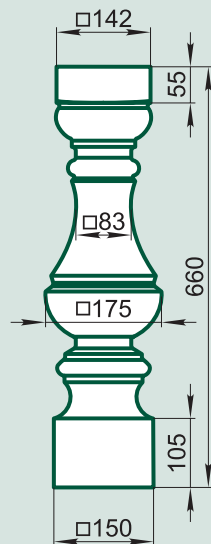
**B78N**



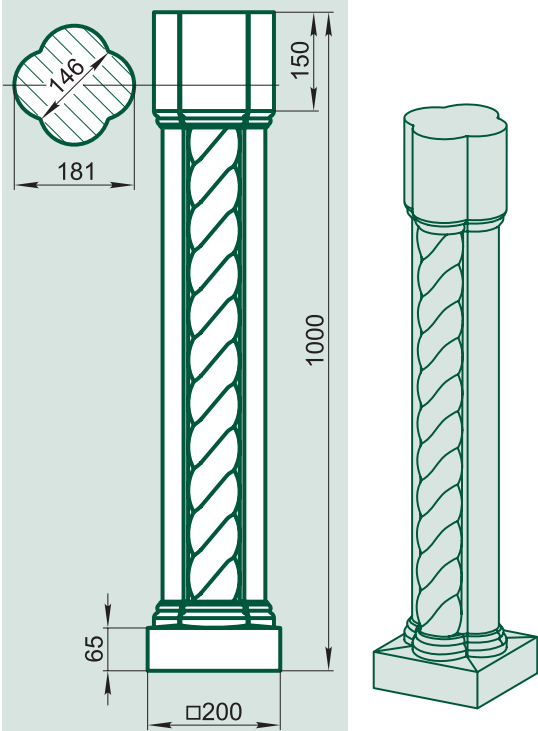
**BB78NL**



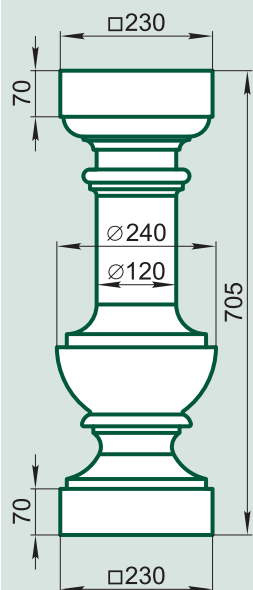
**BB66NQ**



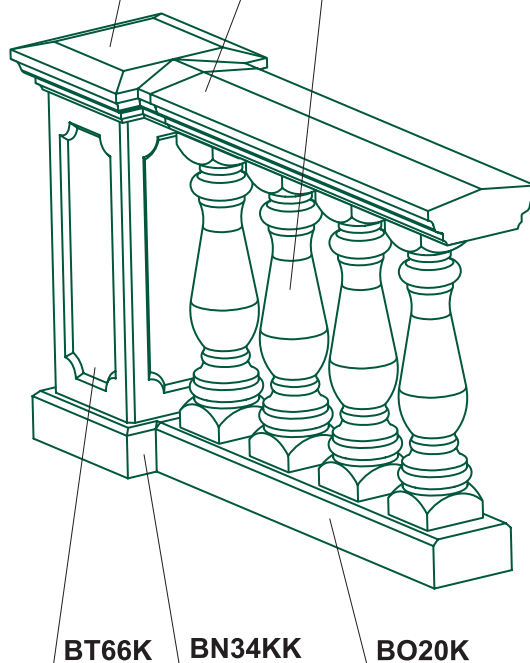
### BB100A



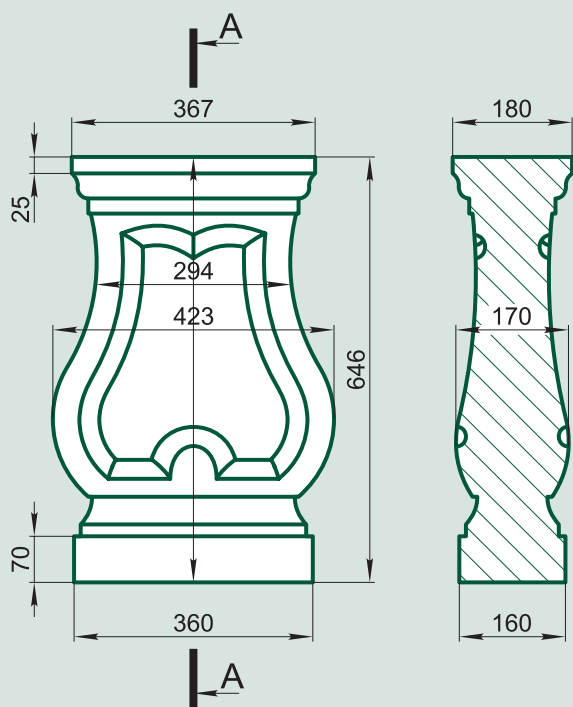
### BB71A



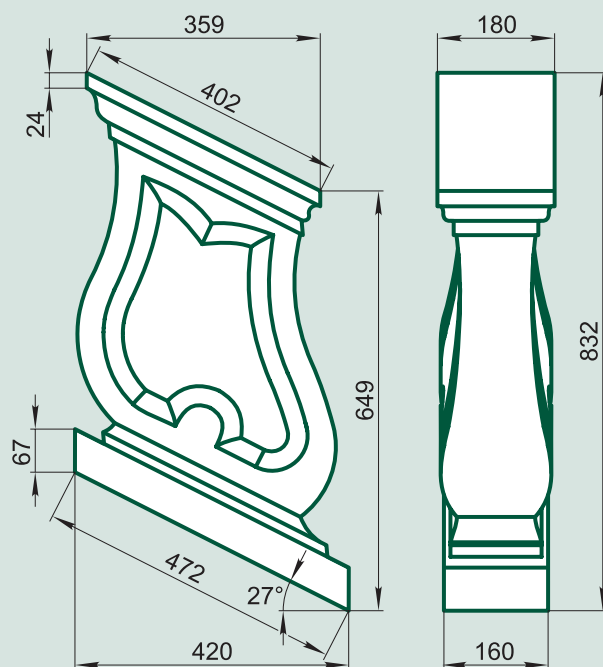
BK38KK BP27K BB66I



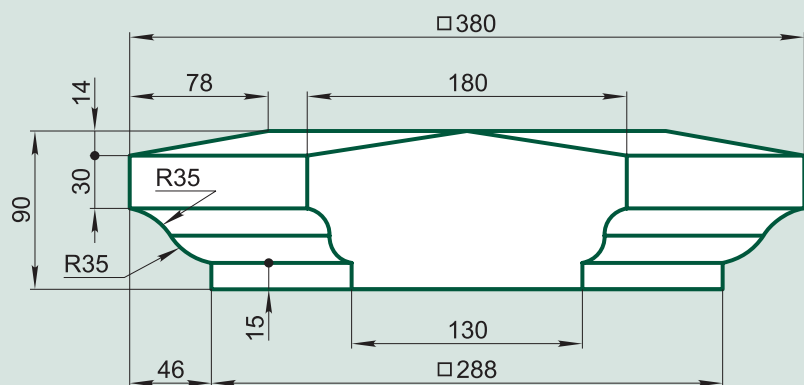
### BB64AK



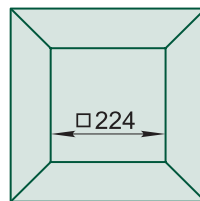
### BB64AK-N



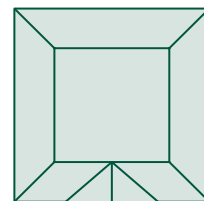
# BK18W



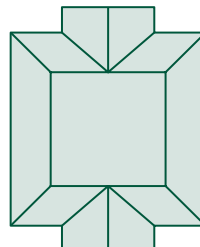
BK18WO



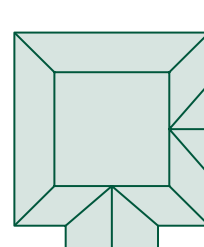
BK18WK



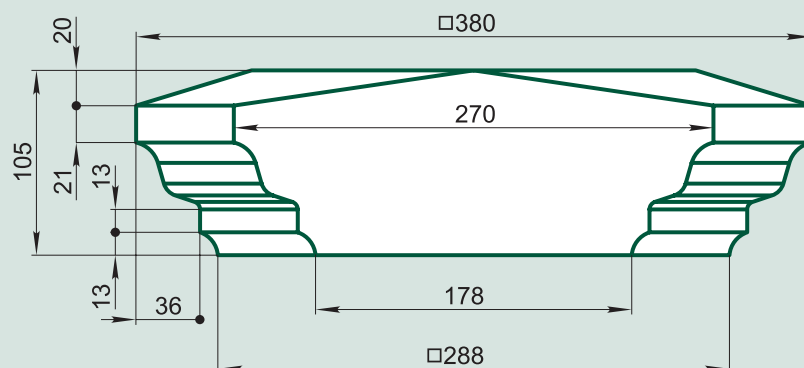
BK18WS



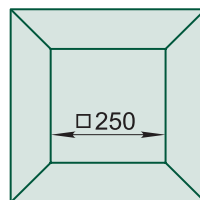
BK18WP



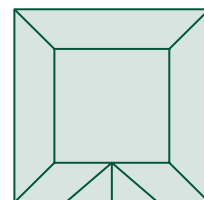
# BK38K



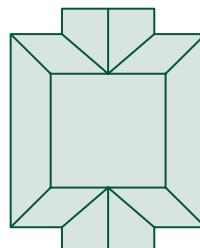
BK38KO



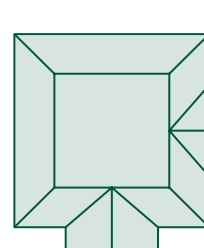
BK38KK



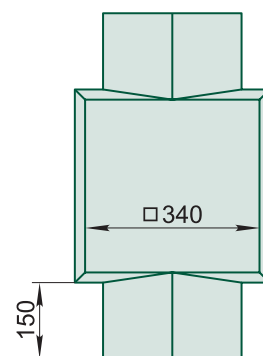
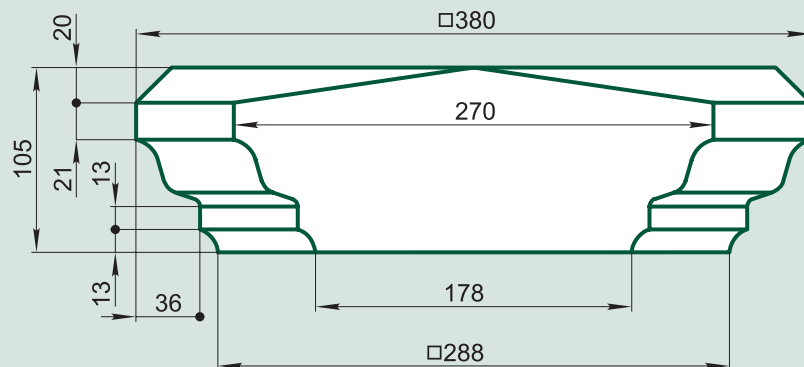
BK38KS



BK38KP

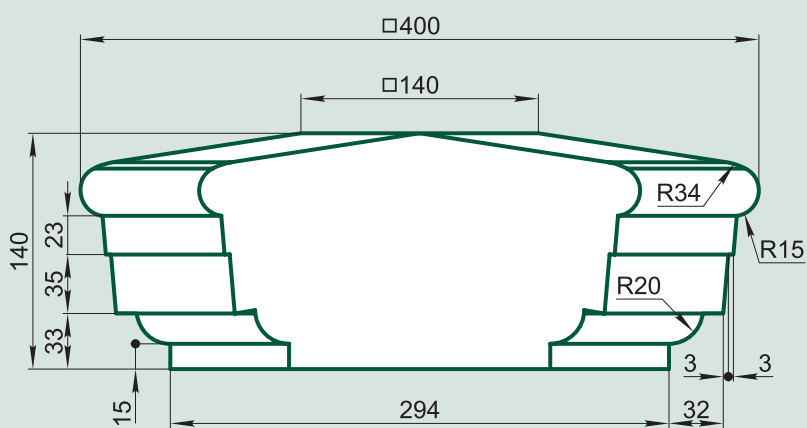


# BK38KS-K

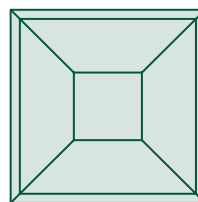




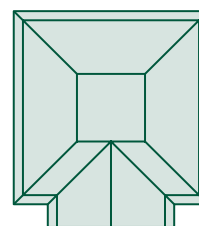
## BK40N



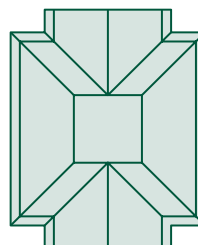
BK40NO



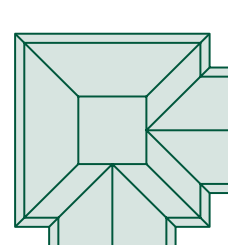
BK40NK



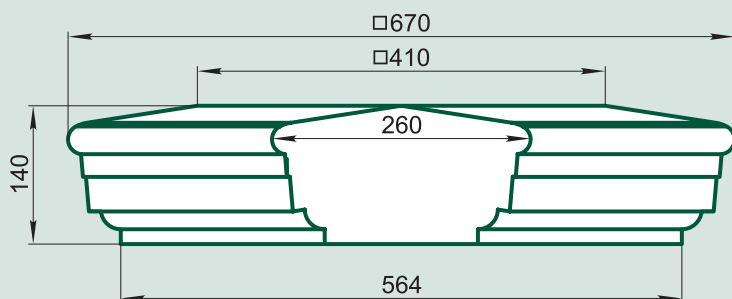
BK40NS



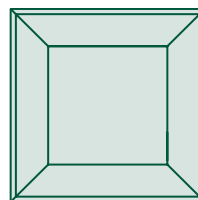
BK40NP



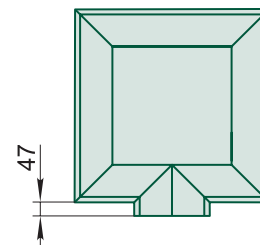
## BK67N



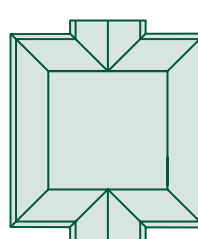
BK67NO



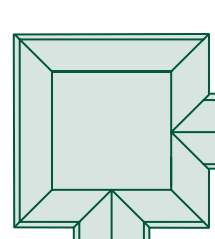
BK67NK



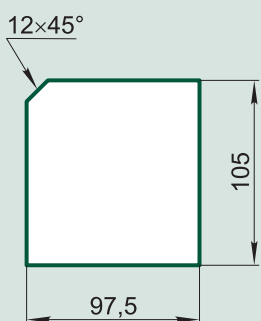
BK67NS



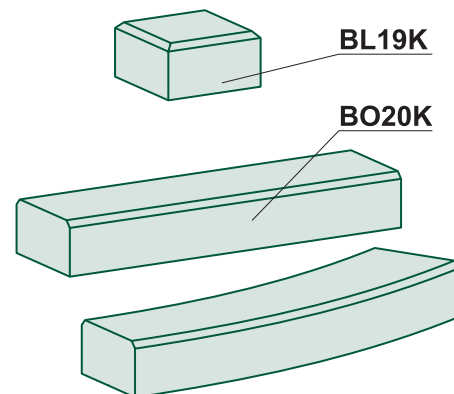
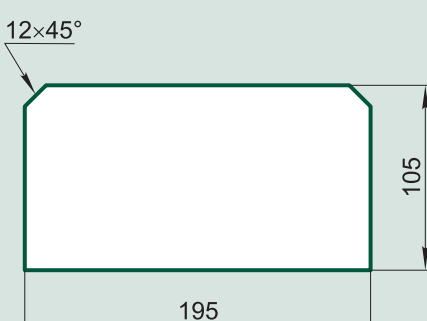
BK67NP

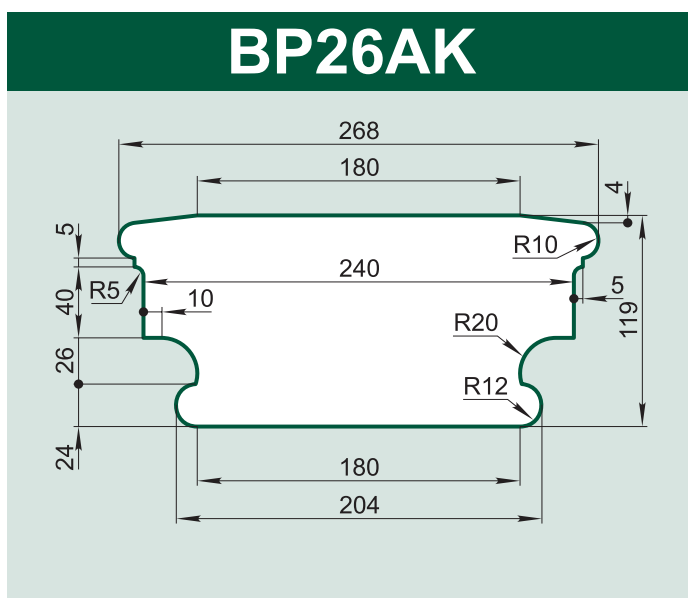
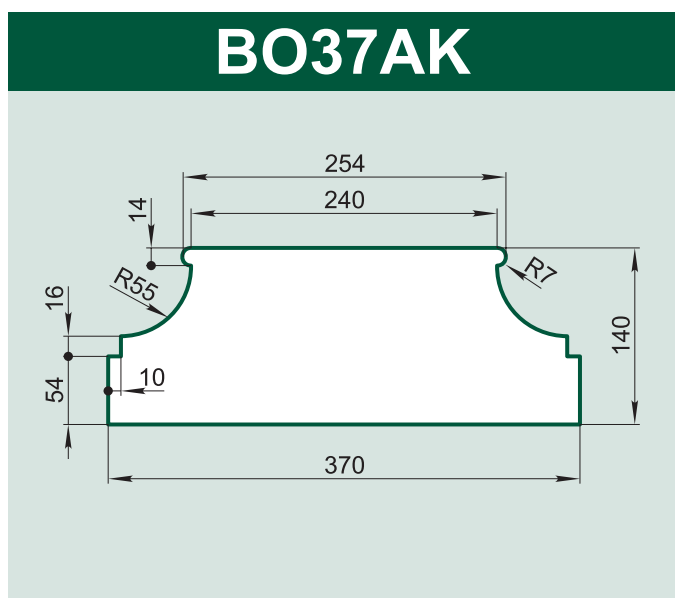
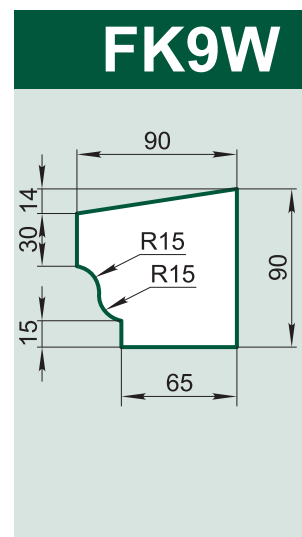
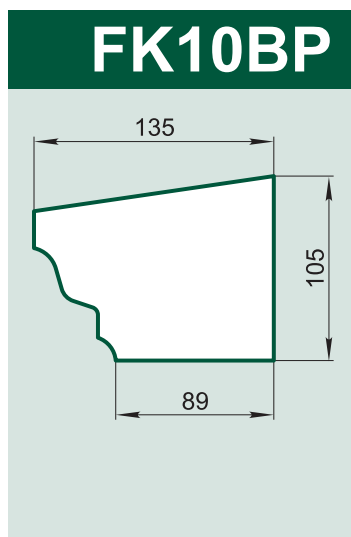
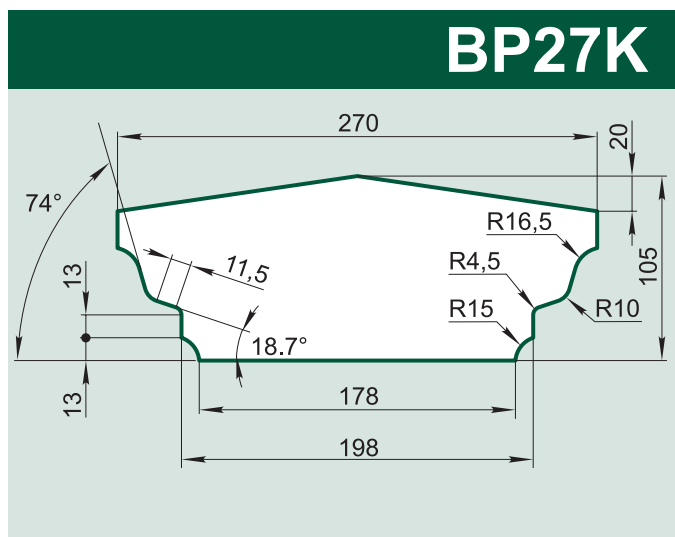
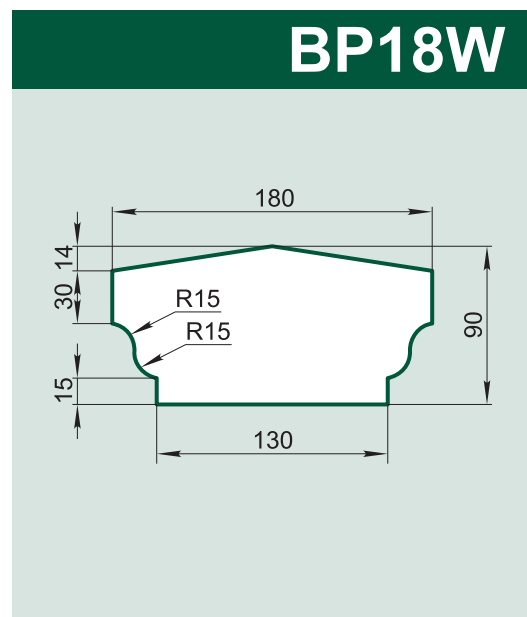
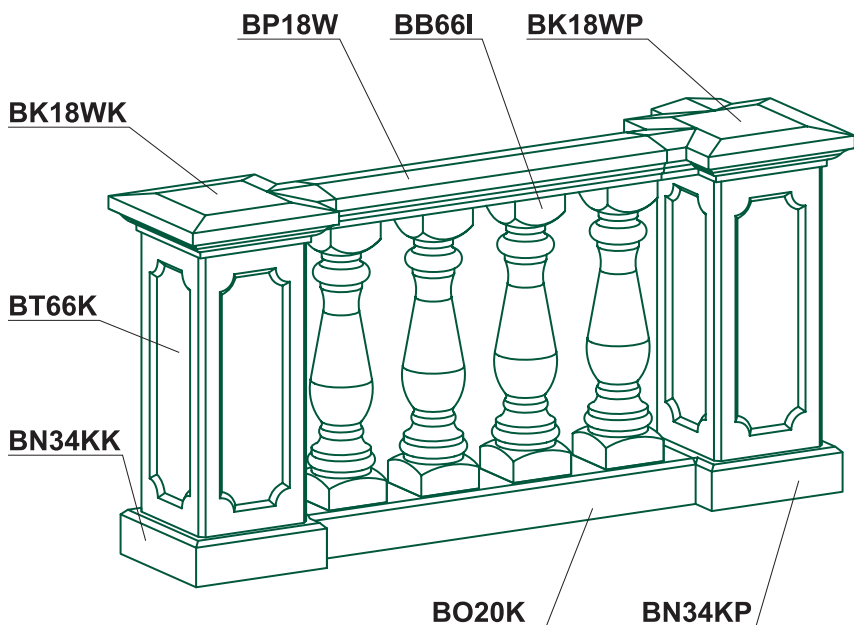


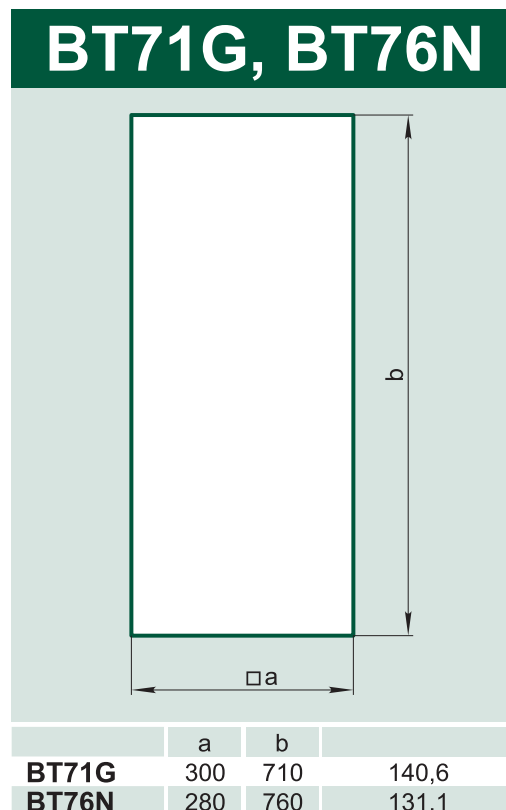
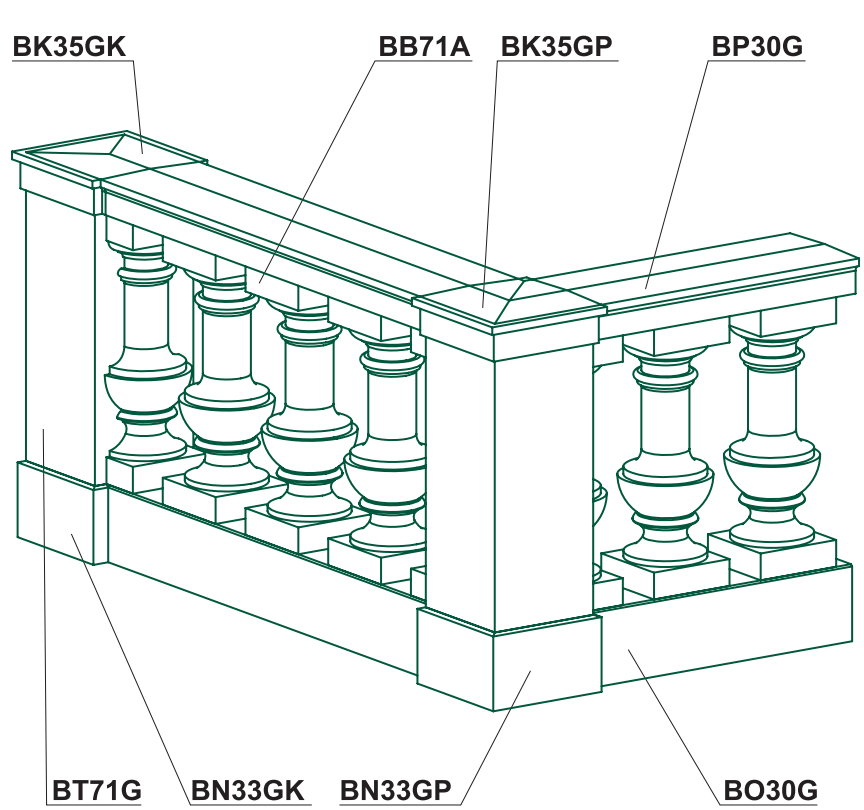
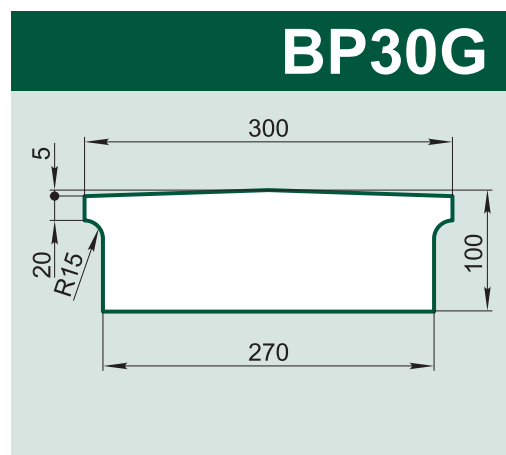
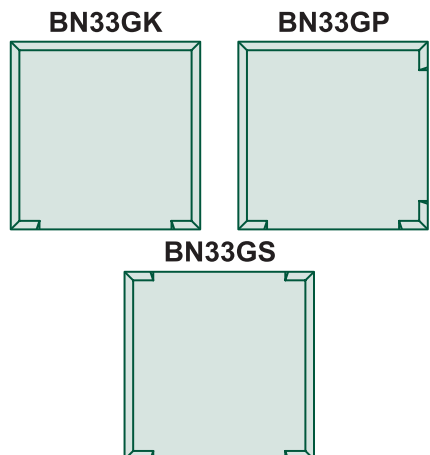
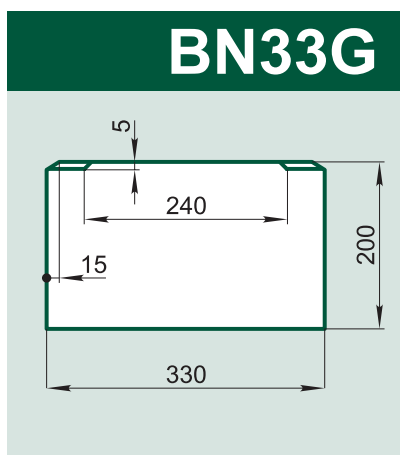
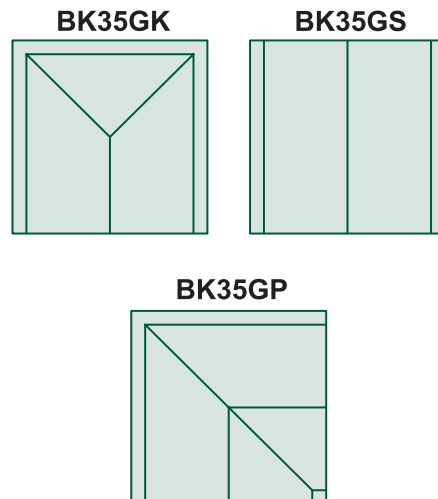
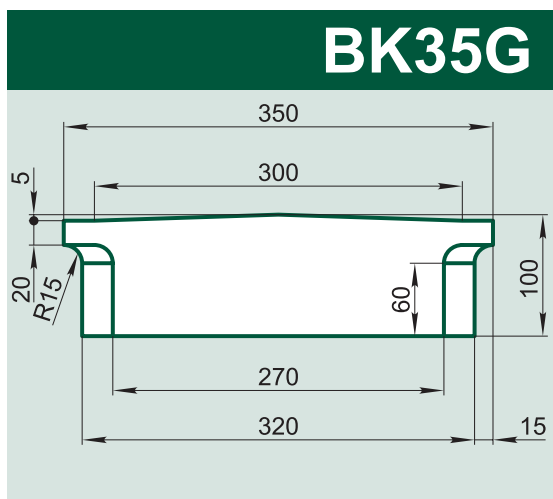
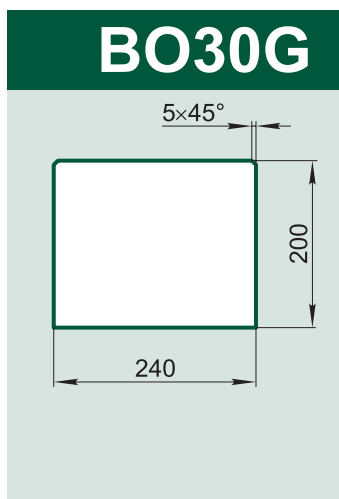
## BO10K



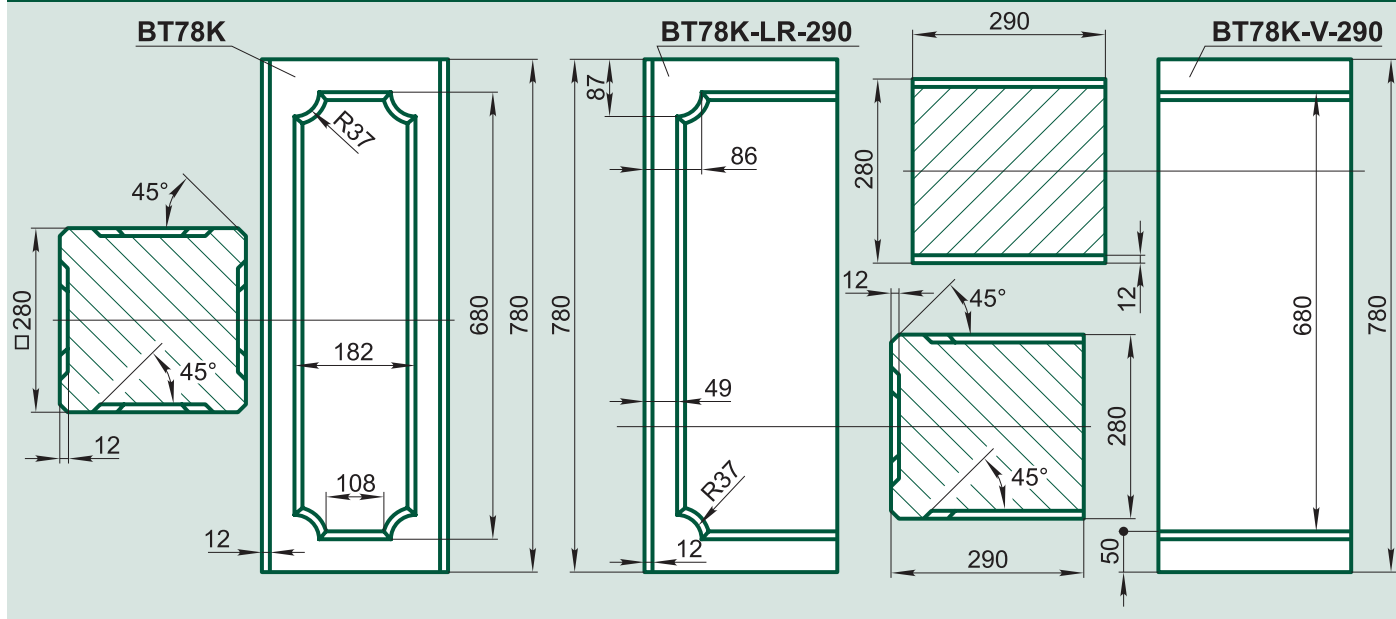
## BL19K, BO20K



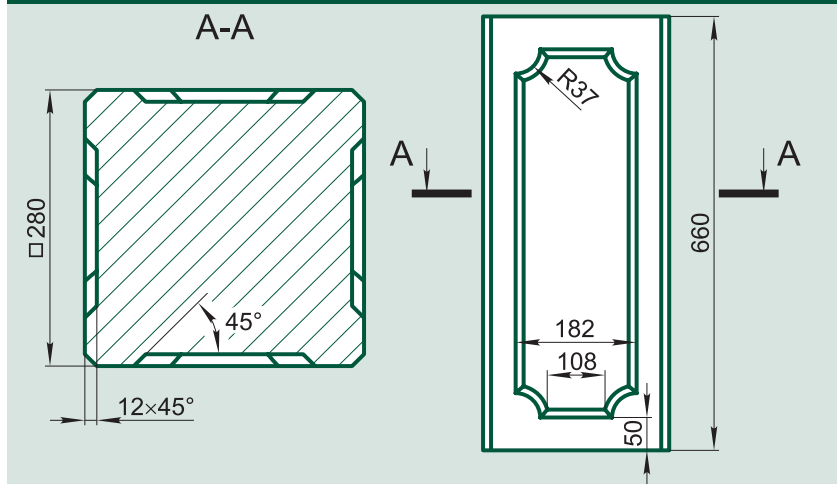




# BT78K



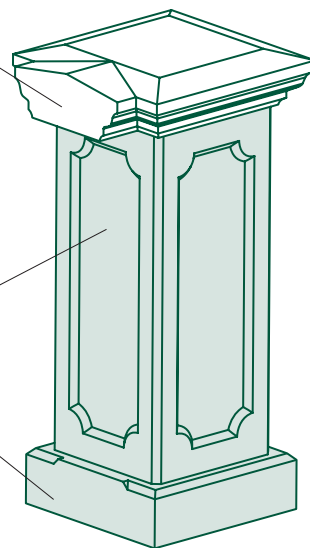
# BT66K



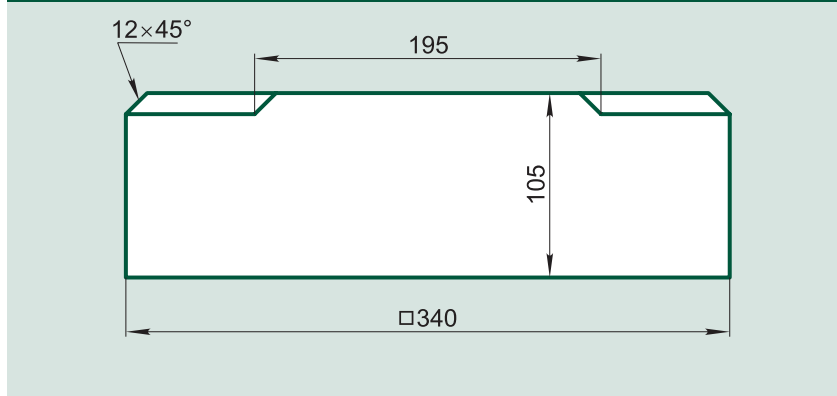
BK38KK

BT66K

BN34KK



# BN34K

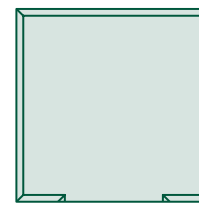
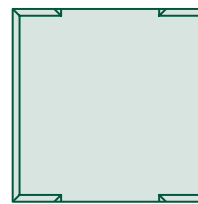
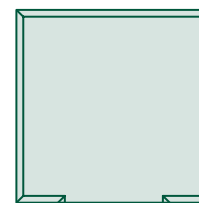
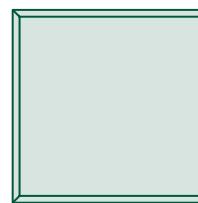


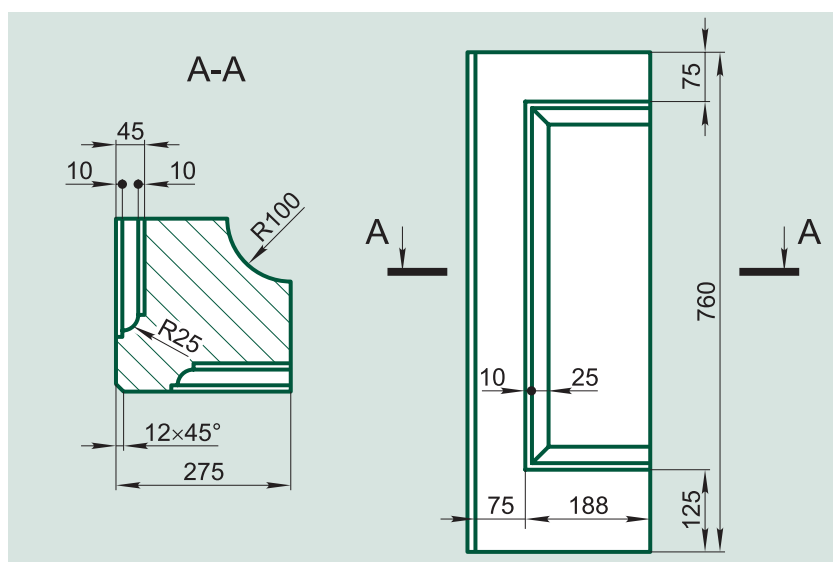
BN34KO

BN34KK

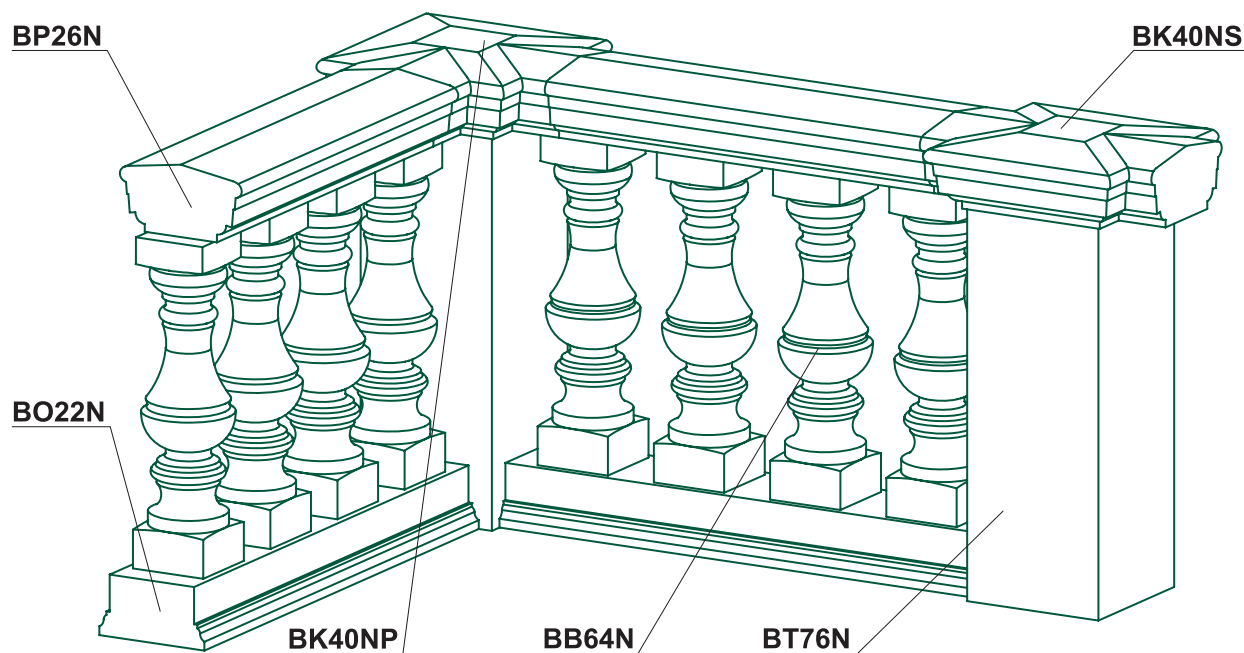
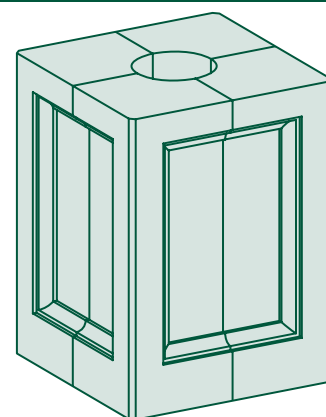
BN34KS

BN34KP

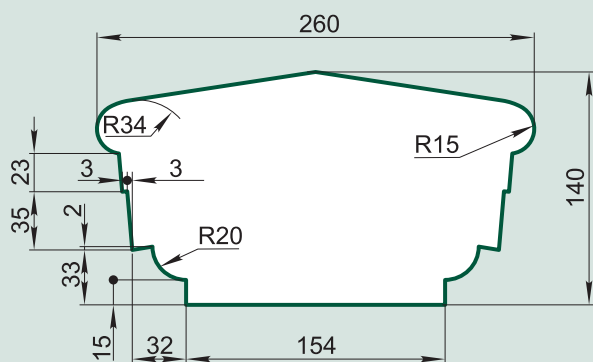




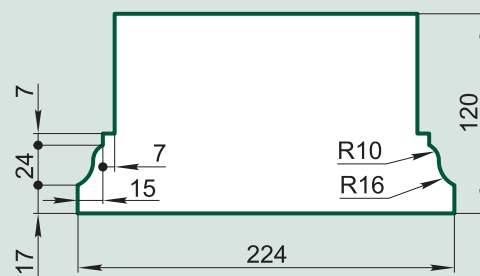
**BT76K**

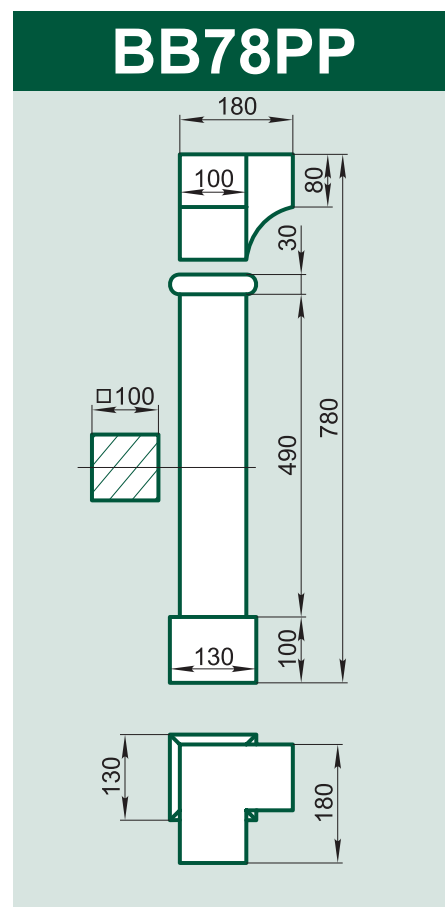
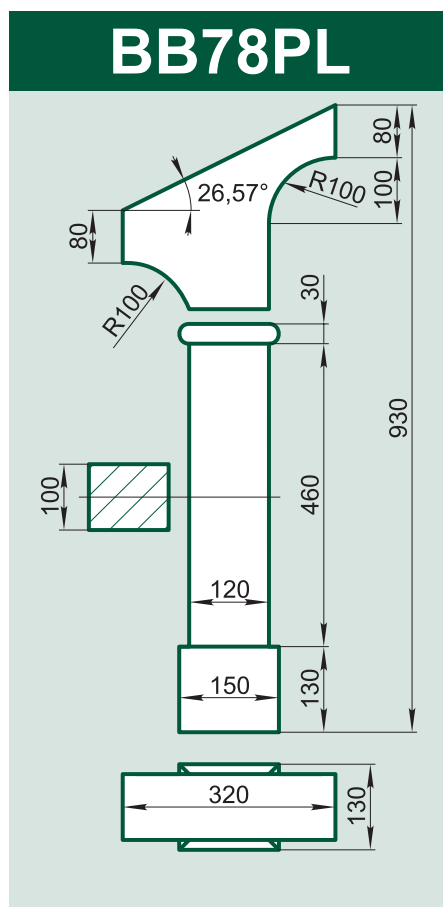
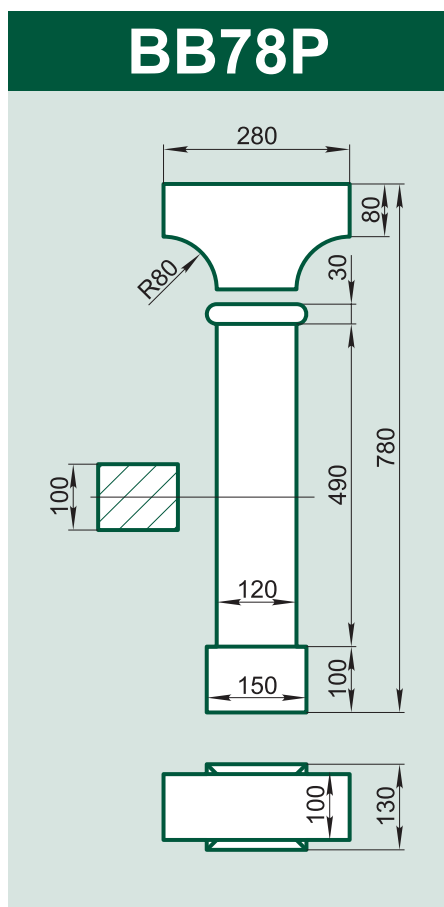
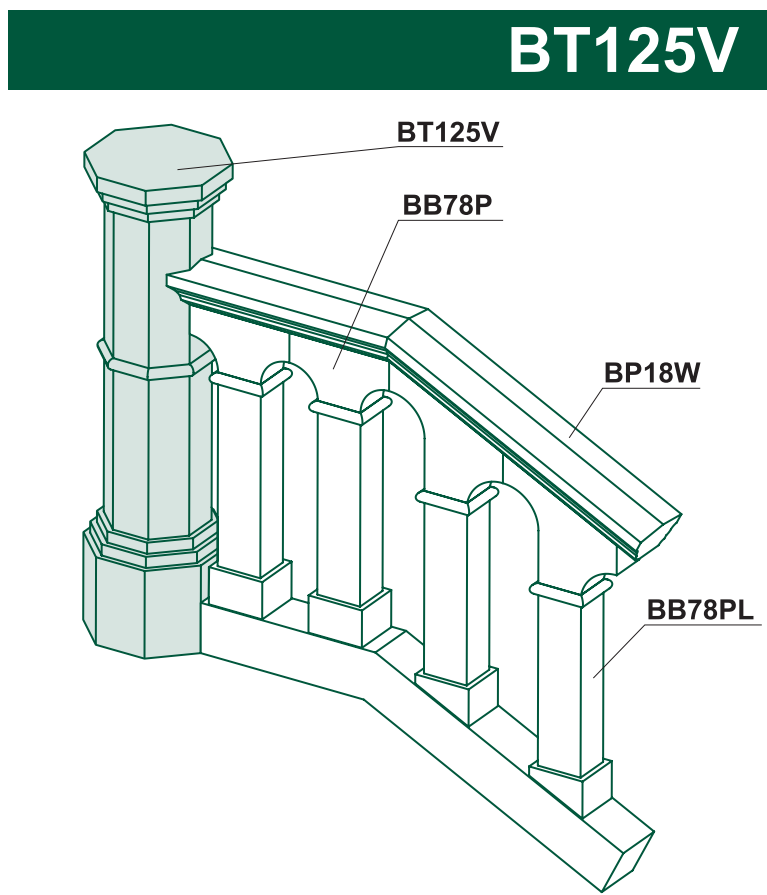
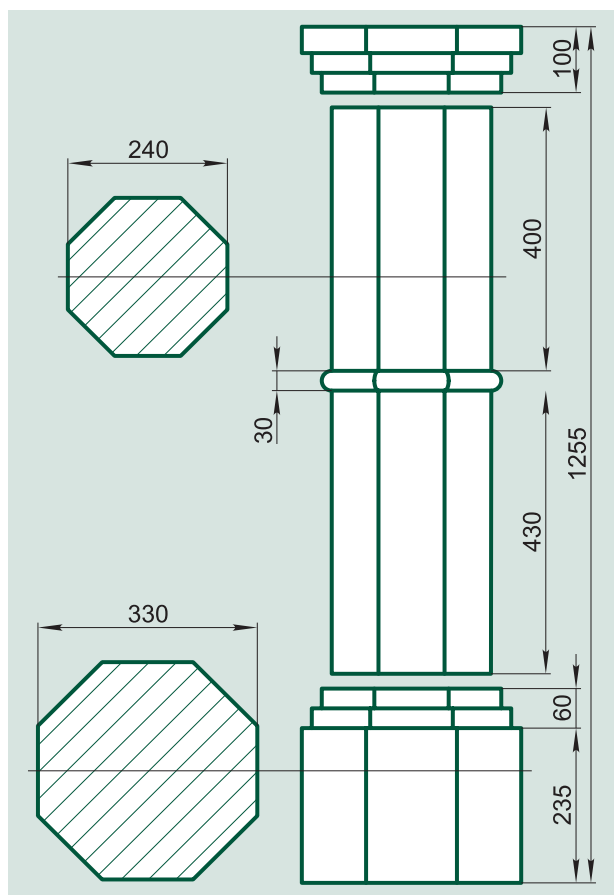


**BP26N**

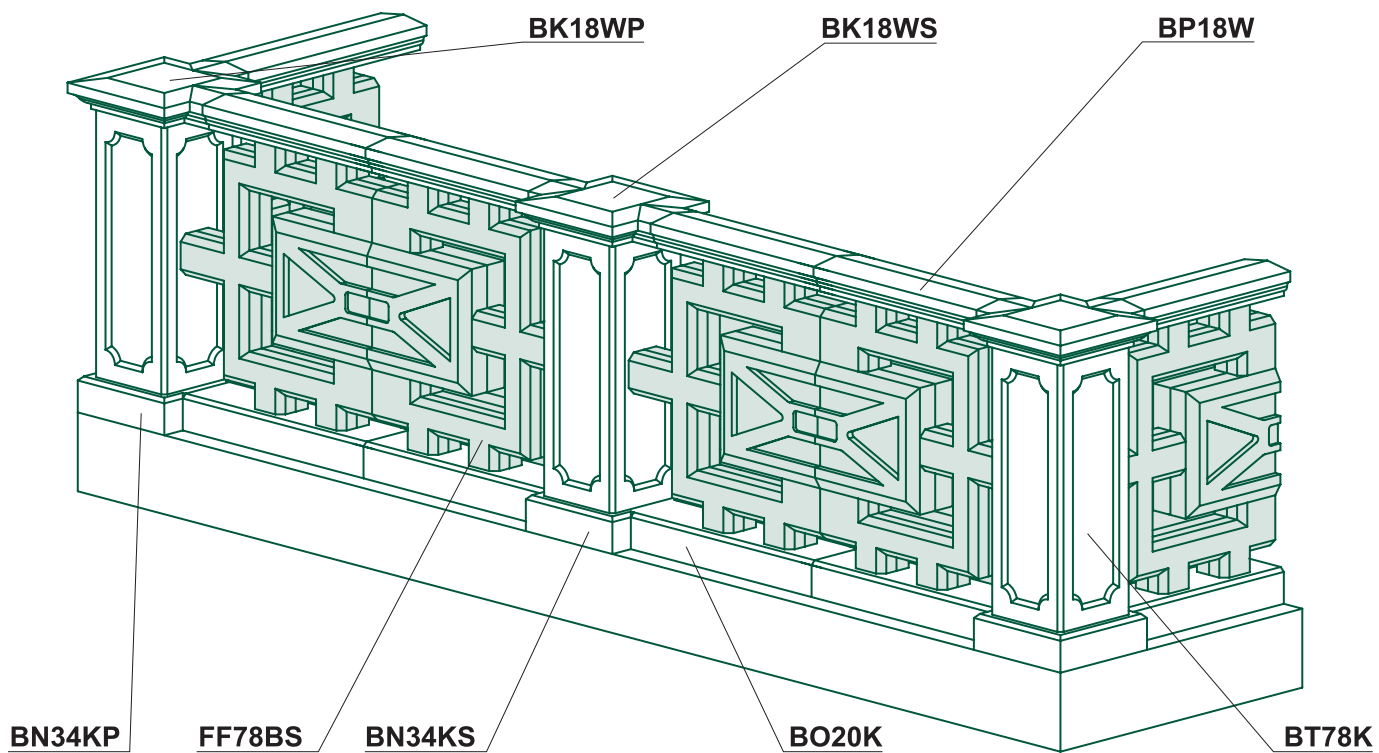
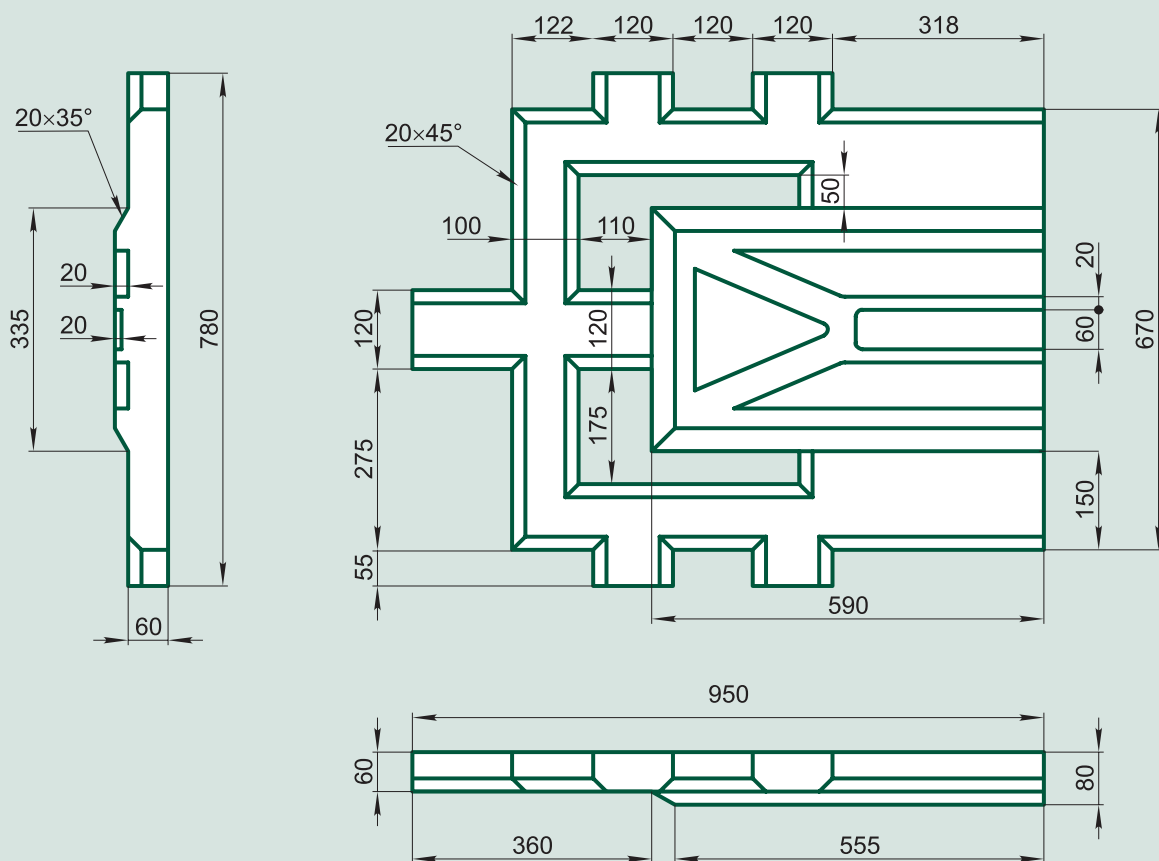


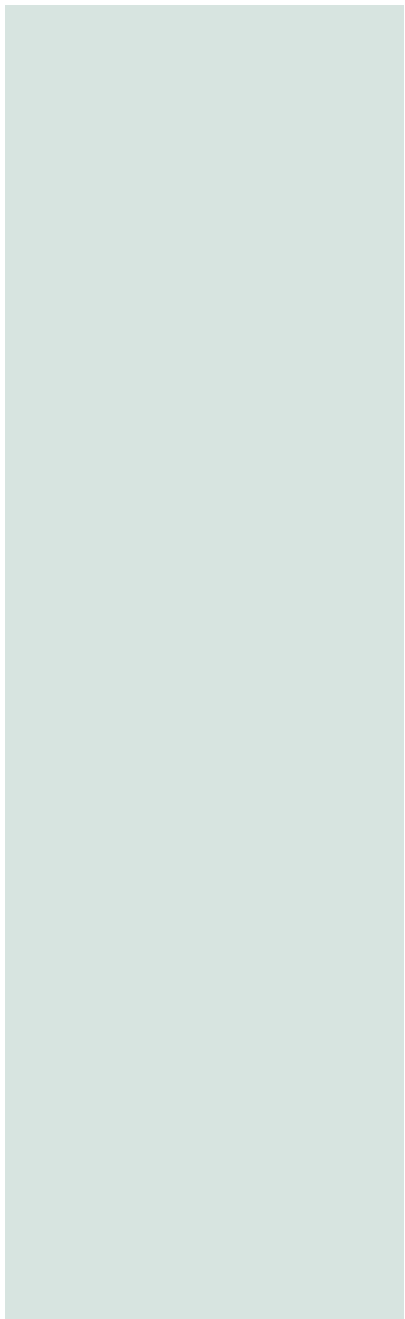
**BO22N**





# FF78BS

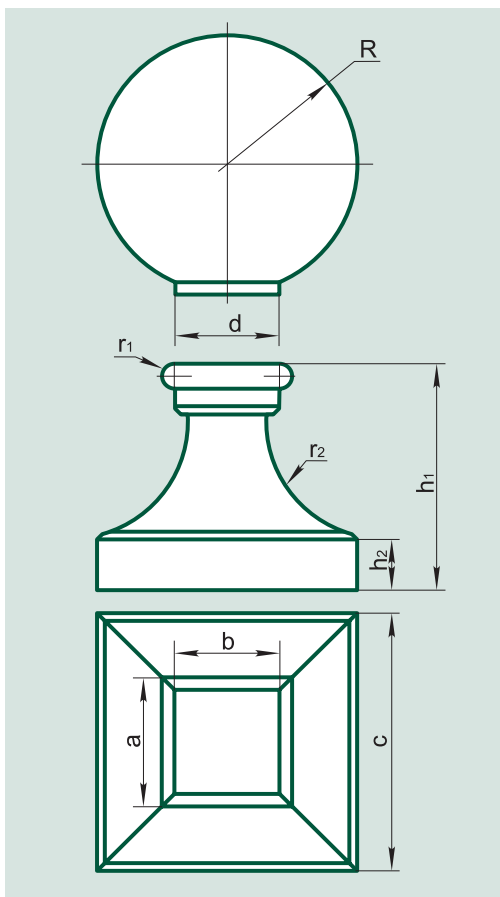




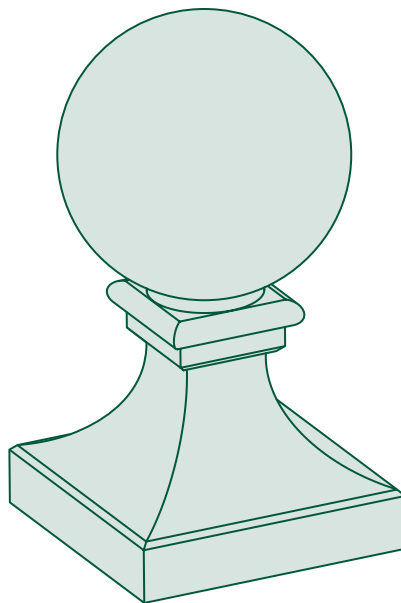
## ЭЛЕМЕНТЫ ЛАНДШАФТНЫЕ

НАВЕРШИЯ  
КРЫШКИ НА СТОЛБЫ  
КРЫШКИ ПАРАПЕТНЫЕ  
ВАЗОНЫ, СКАМЕЙКИ  
ФОНТАНЫ

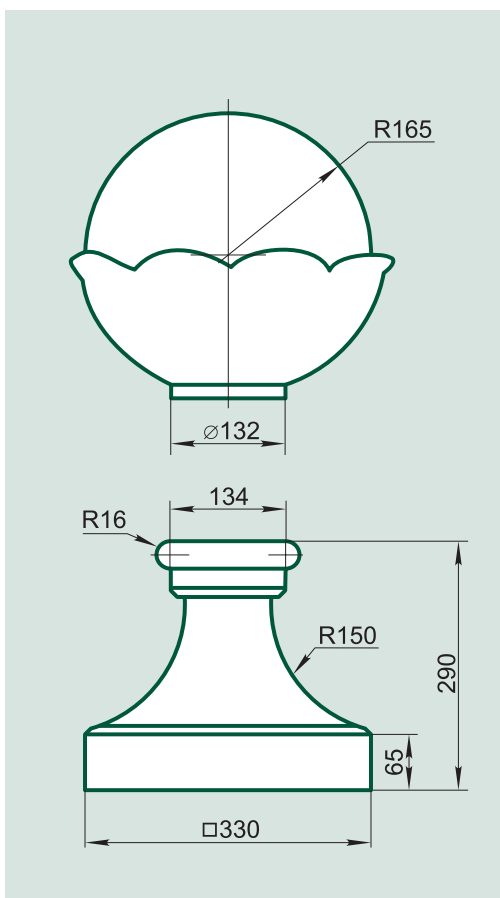




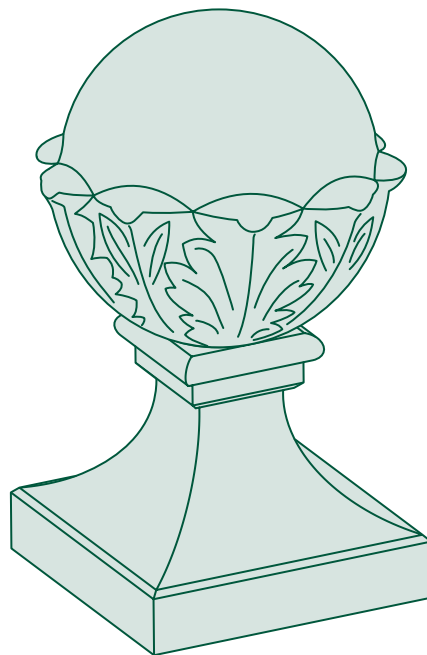
**LN25xx, LN33xx**

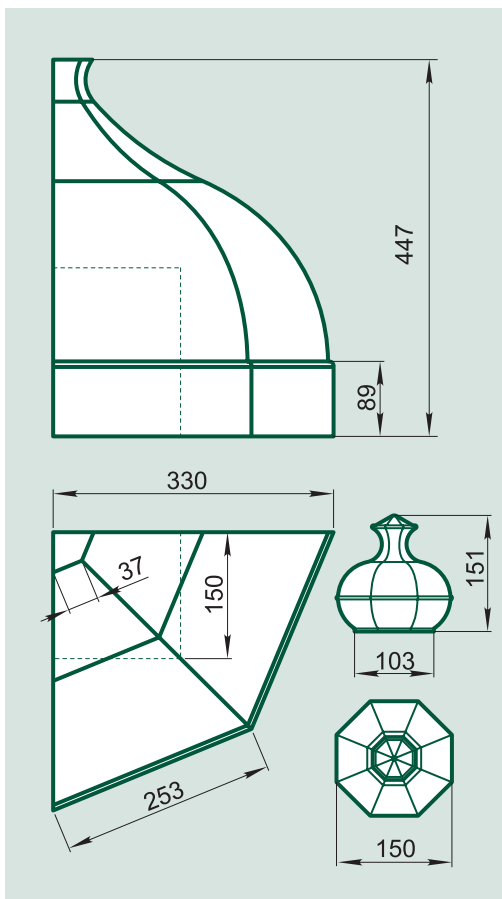


	d	R	r <sub>1</sub>	r <sub>2</sub>	h <sub>1</sub>	h <sub>2</sub>	a	b	c	
<b>LN25BSB</b>	100	125	11	100	170	35	125	106	244	27,8
<b>LN25WSB</b>	100	125	11	100	170	35	125	107	220	26,6
<b>LN33BSB</b>	132	165	16	150	290	65	165	134	330	70,8

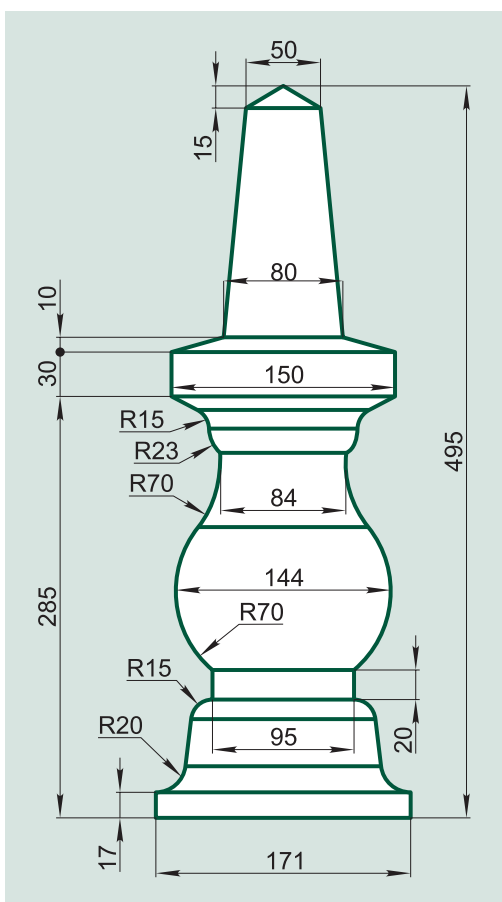
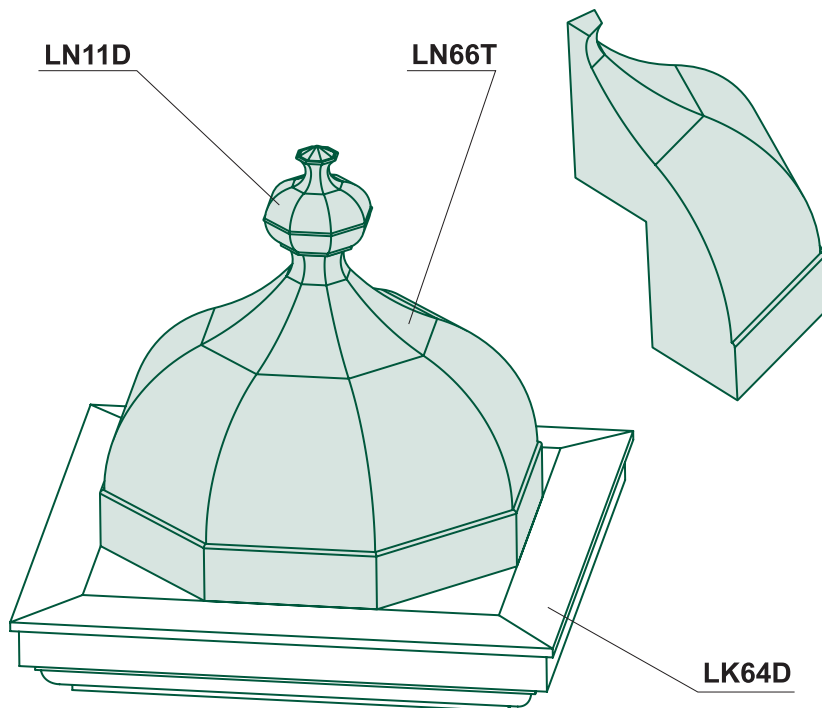


**LN33LSB**

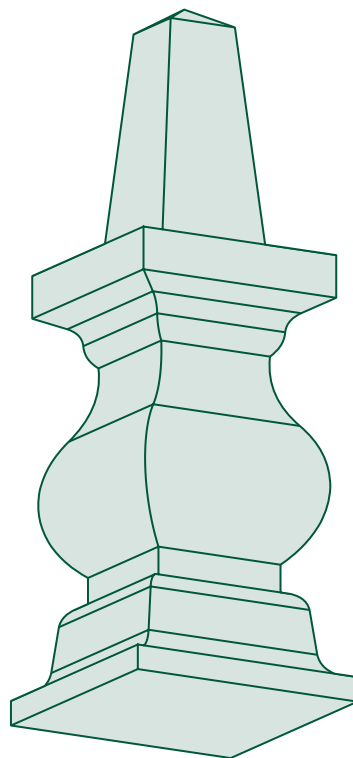


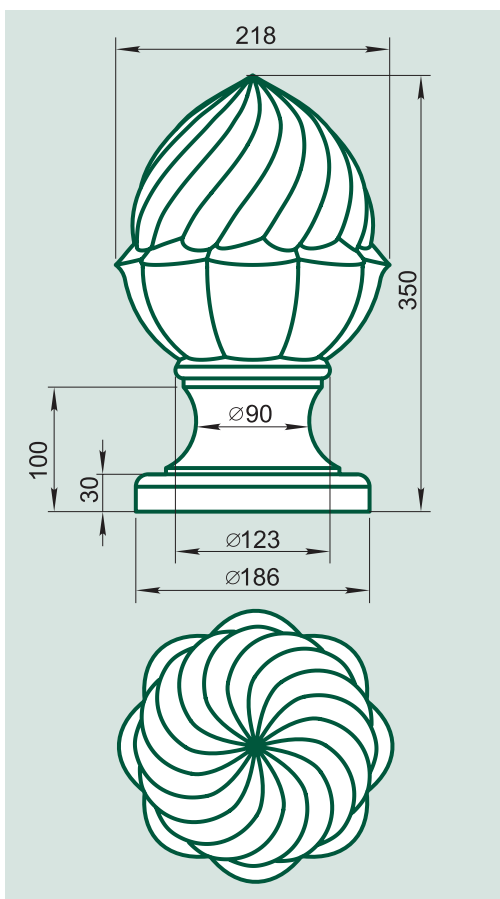


# LN66TSB

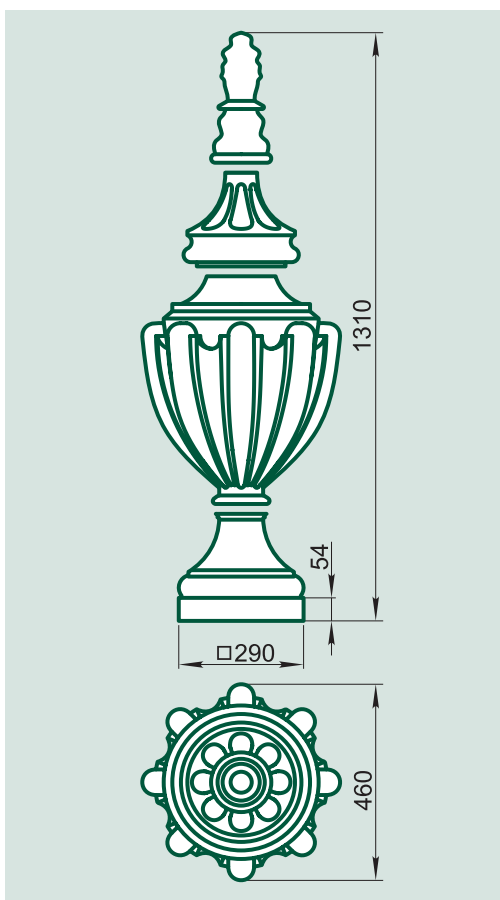
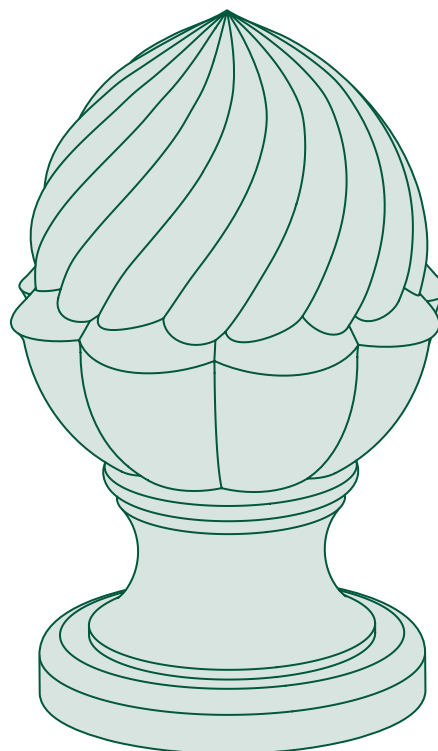


# LN50R

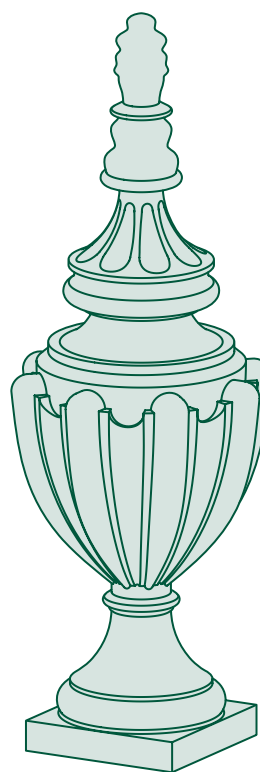




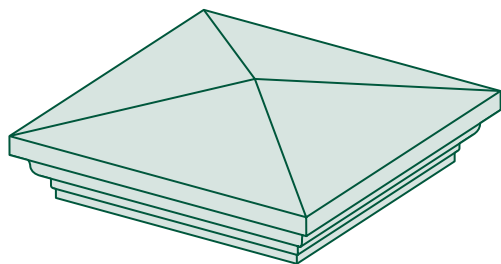
**LN20S**



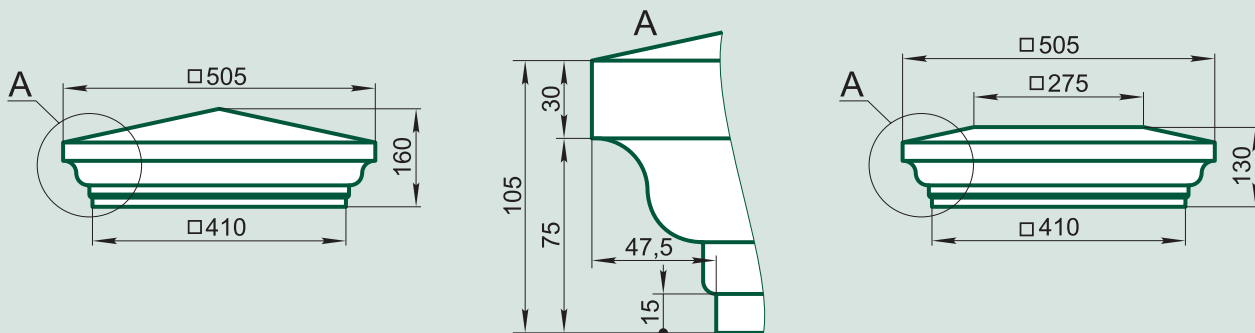
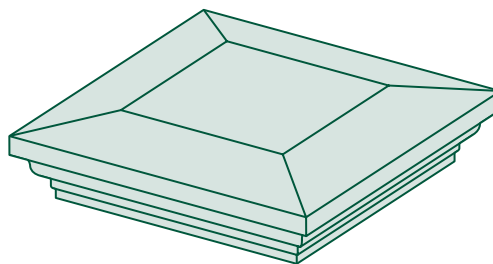
**LN130F**



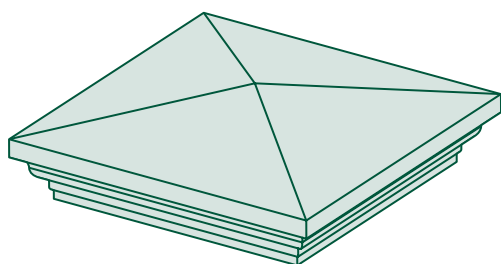
**LK41A**



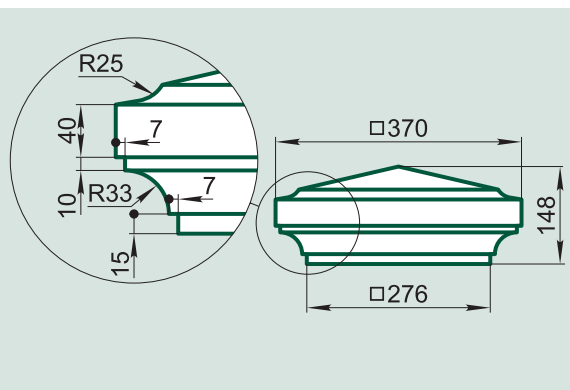
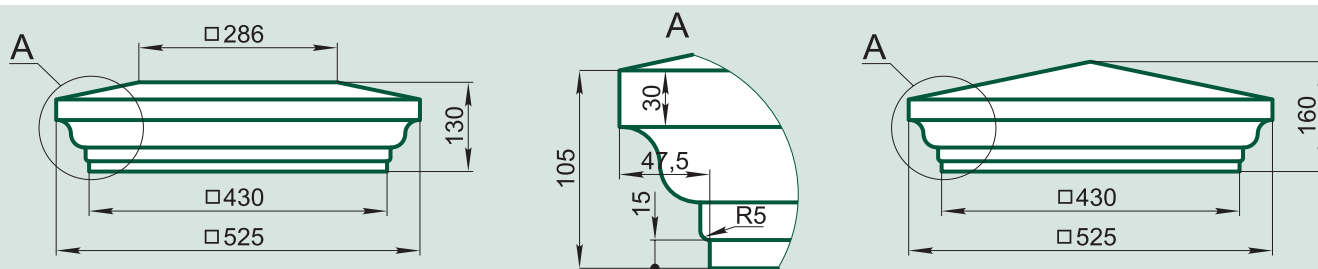
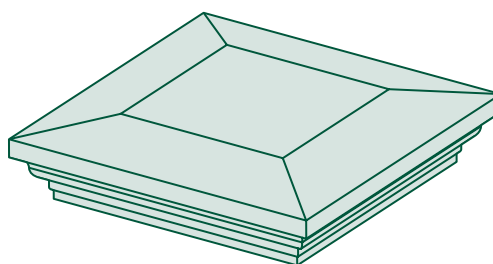
**LK41B**



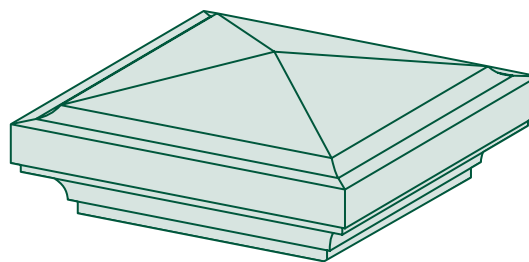
**LK43A**

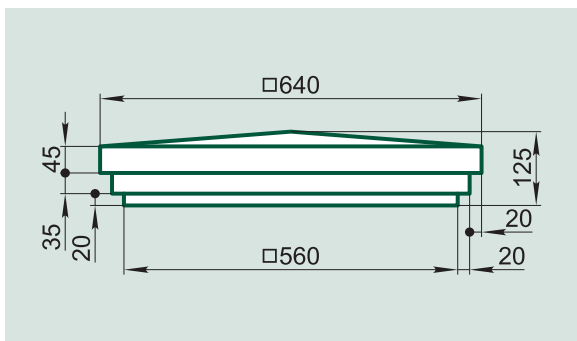


**LK43B**

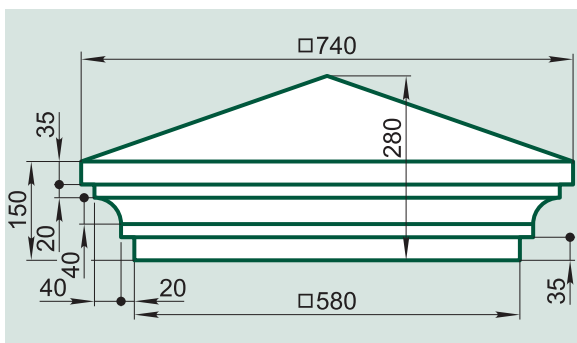
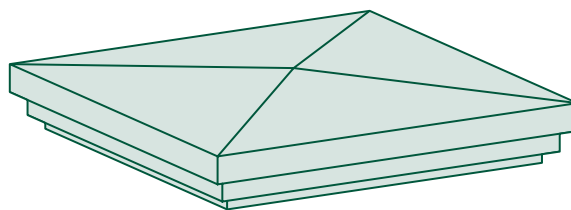


**LK37A**

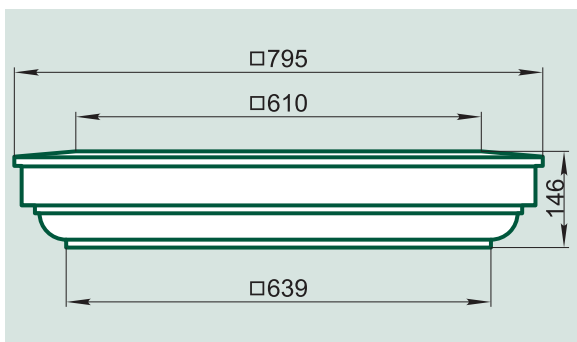
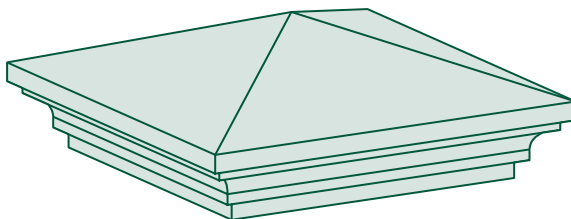




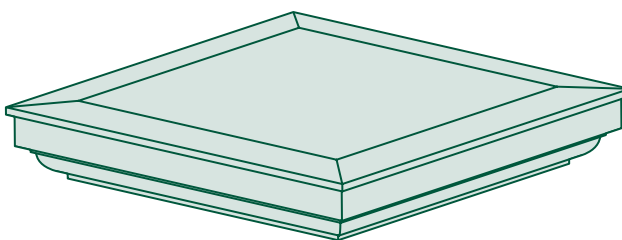
**LK56U**



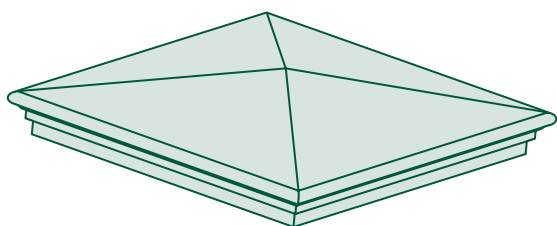
**LK58A**



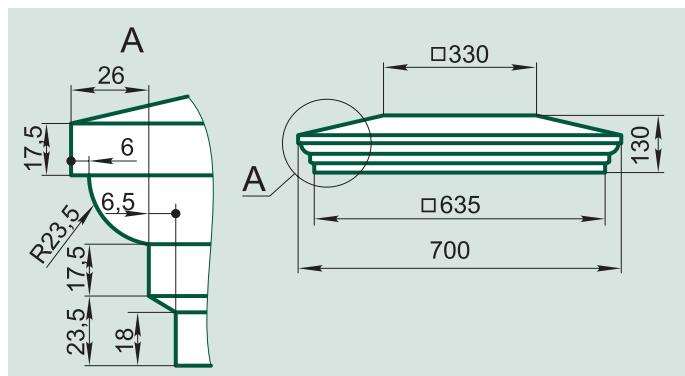
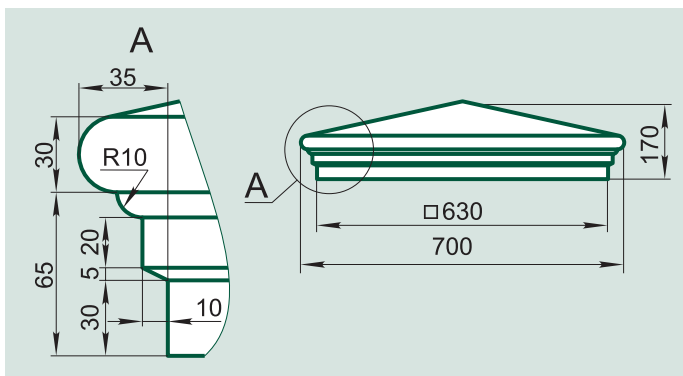
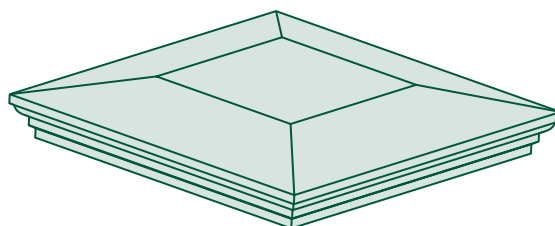
**LK64D**

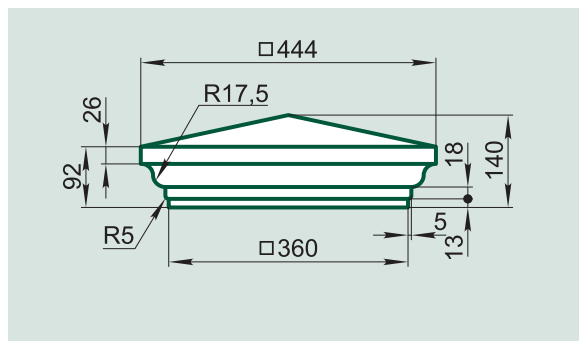


**LK63A**

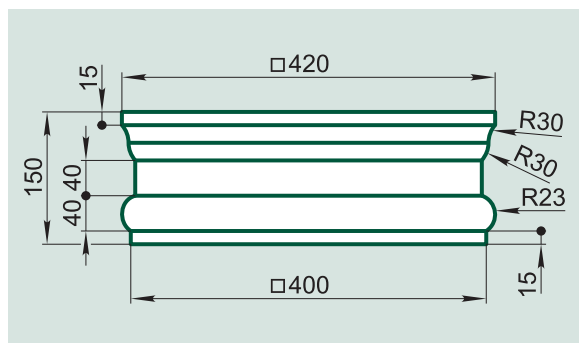
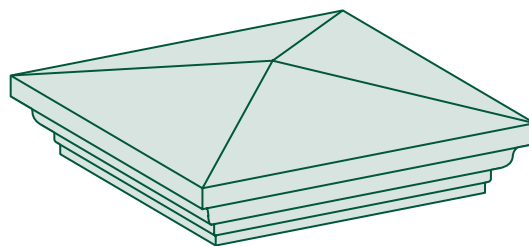


**LK63B**

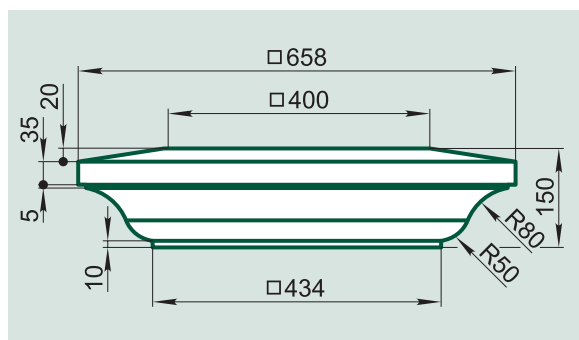
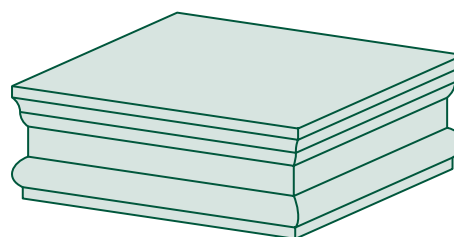




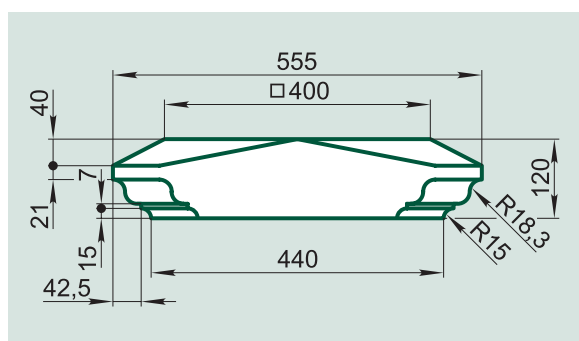
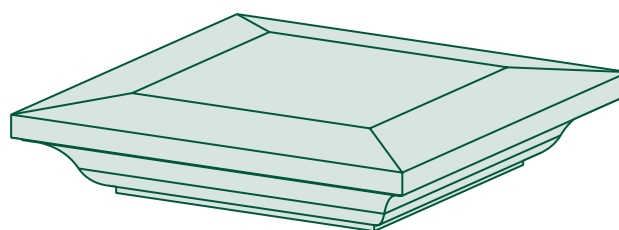
**LK36A**



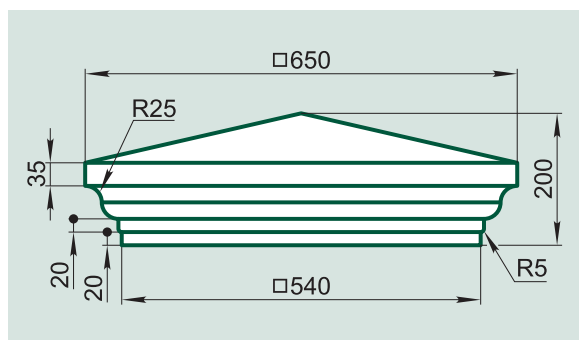
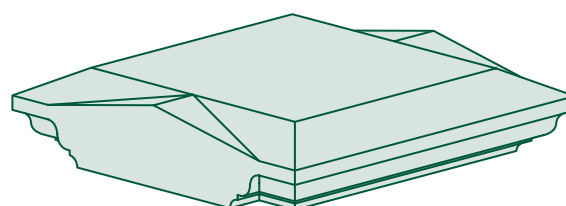
**LK40P**



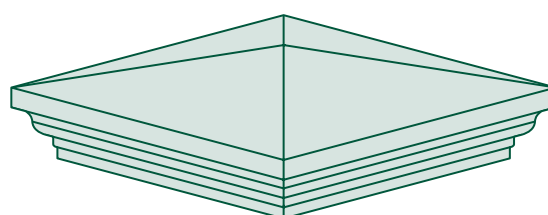
**LK44F**



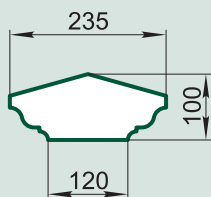
**LK44PS**



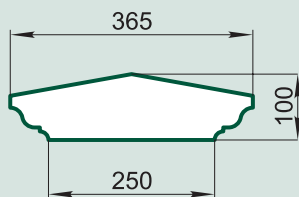
**LK54A**



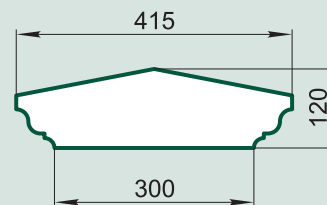
### LP12C



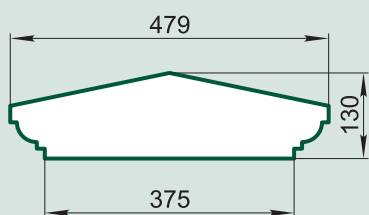
### LP25C



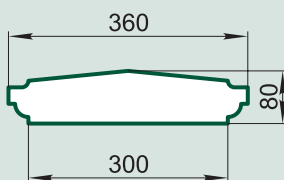
### LP30C



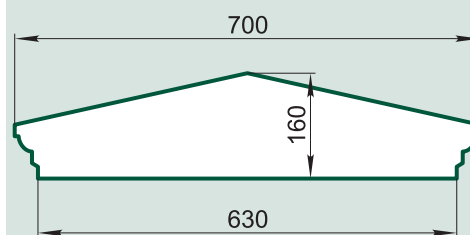
### LP37C



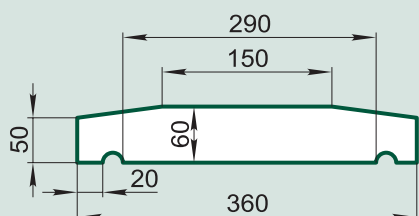
### LP30D



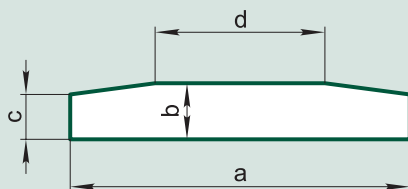
### LP63A



### LP36BK

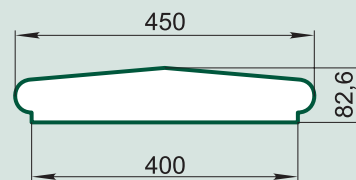


### LPxxB

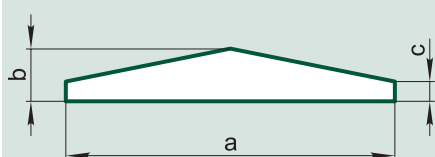


	a	b	c	d	
LP30B	300	50	40	150	31,4
LP46B	460	60	45	240	57

### LP40G

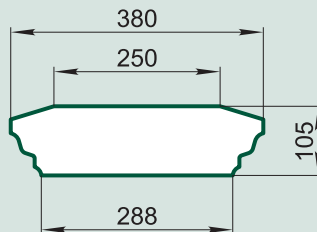


### LPxxA

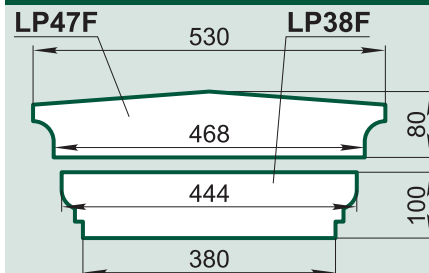


	a	b	c	
LP54A	540	80	30	65
LP59A	594	148	105	165
LP62A	620	200	85	194,4

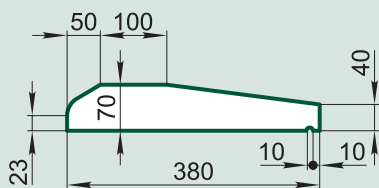
### LP29K



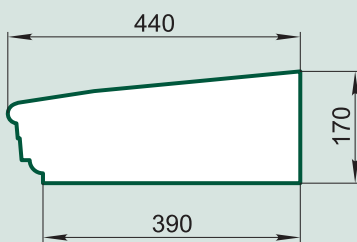
### LP47F, LP38F



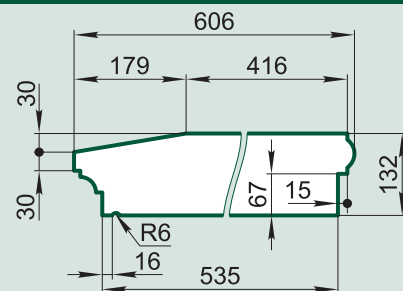
### LP38CL



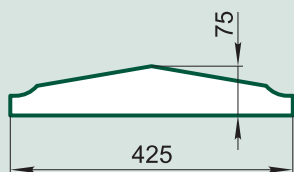
### LP44AP



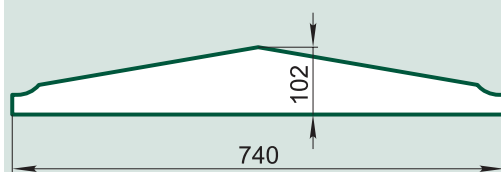
### LP53AS



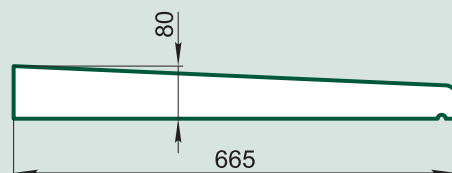
### LP42F



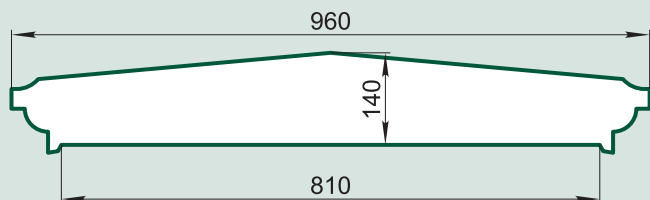
### LP74F



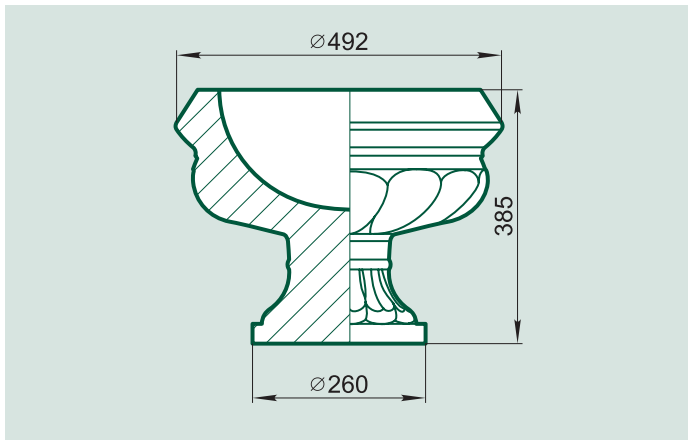
### LP66DS



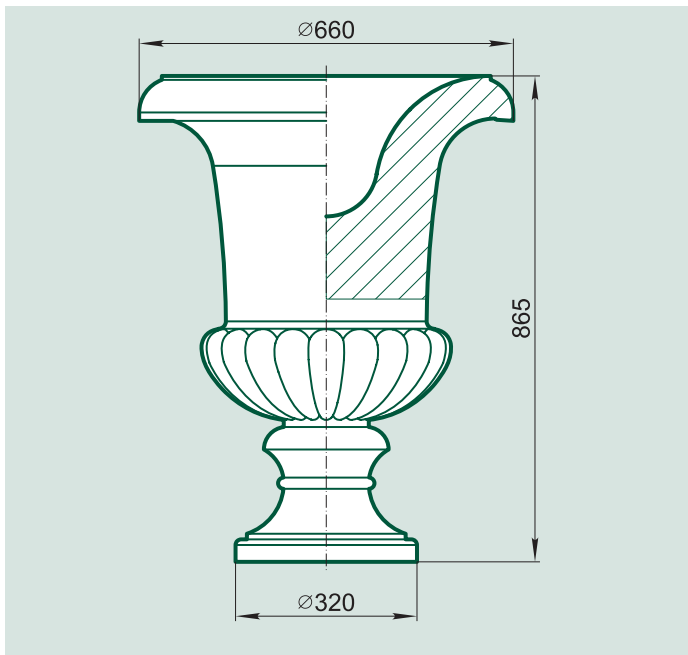
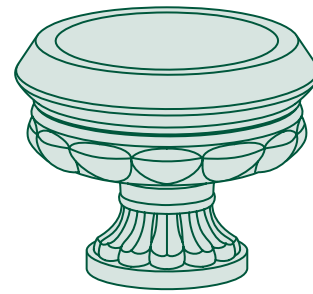
### LP81F



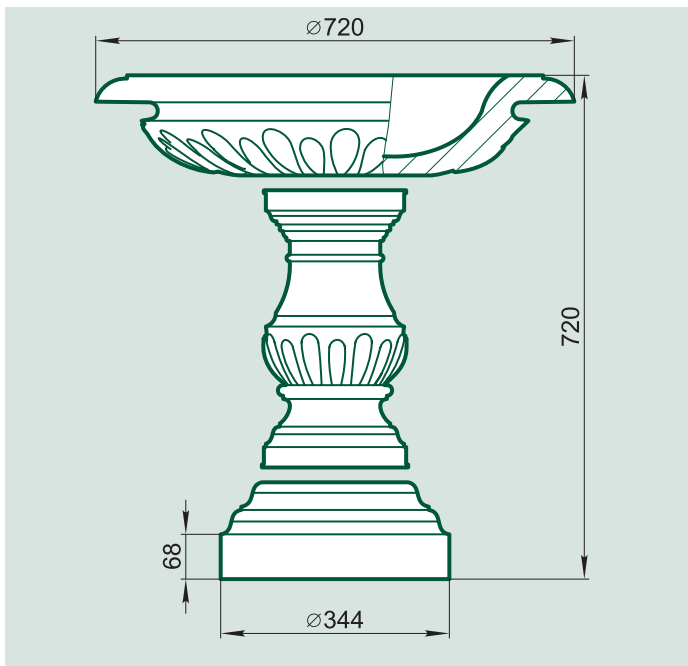
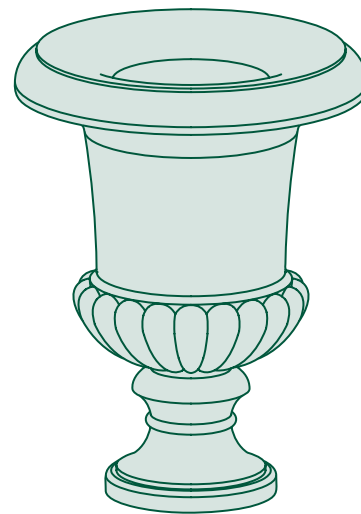




**LV38S**

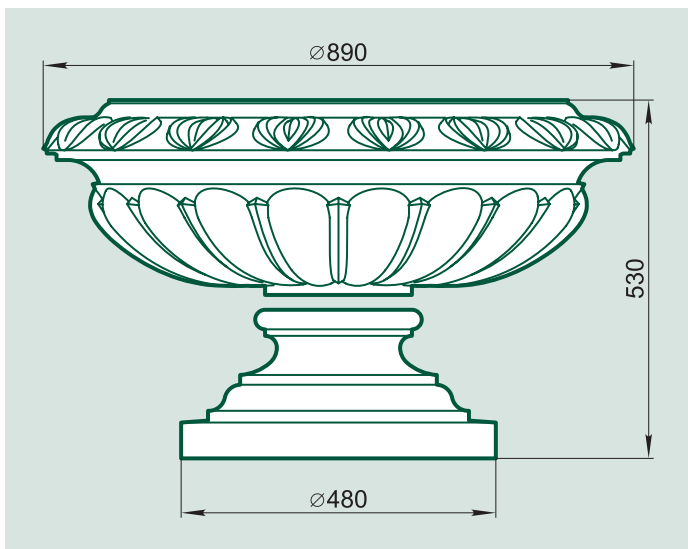


**LV85M**

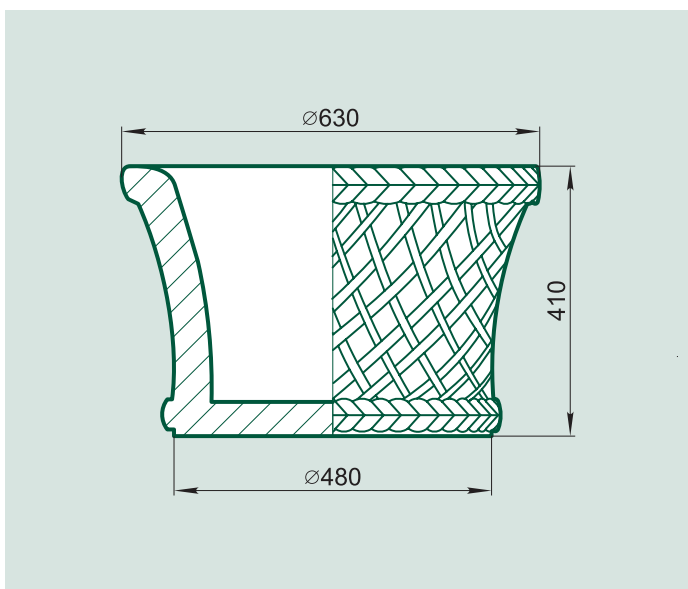


**LV72A**

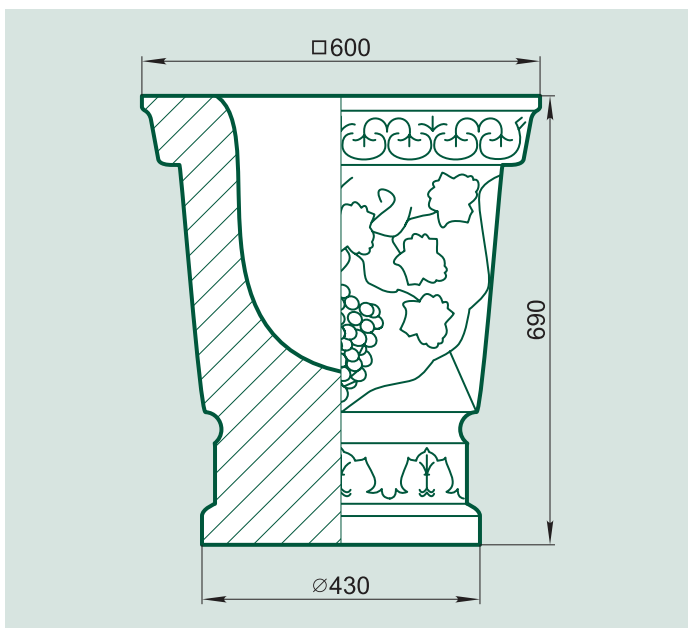
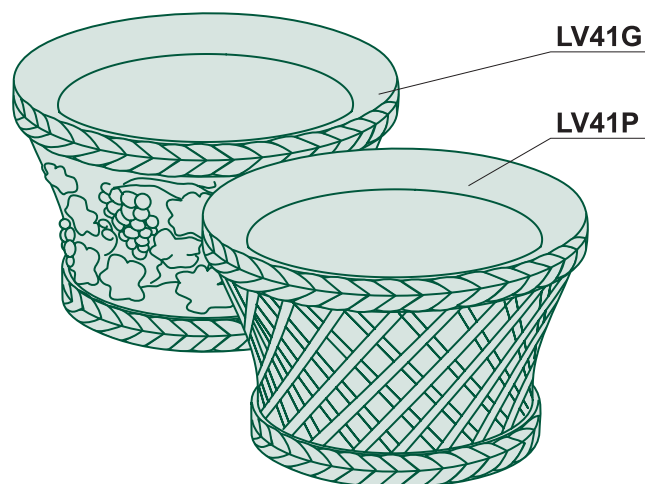




**LV53N**

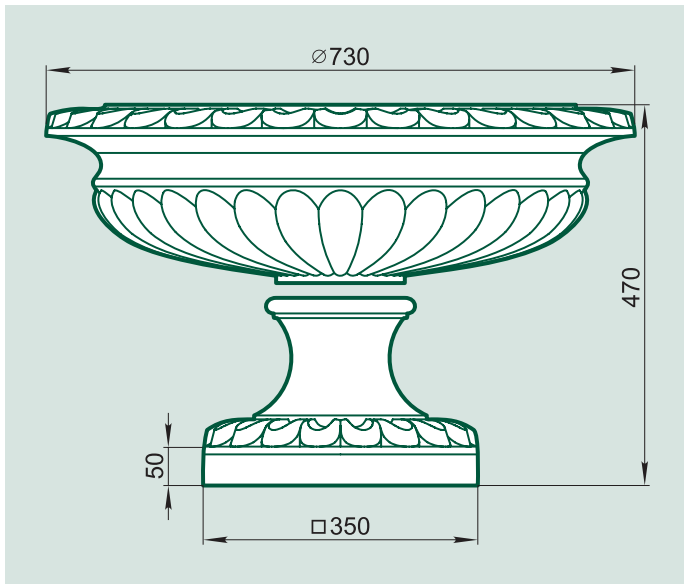


**LV41G, LV41P**

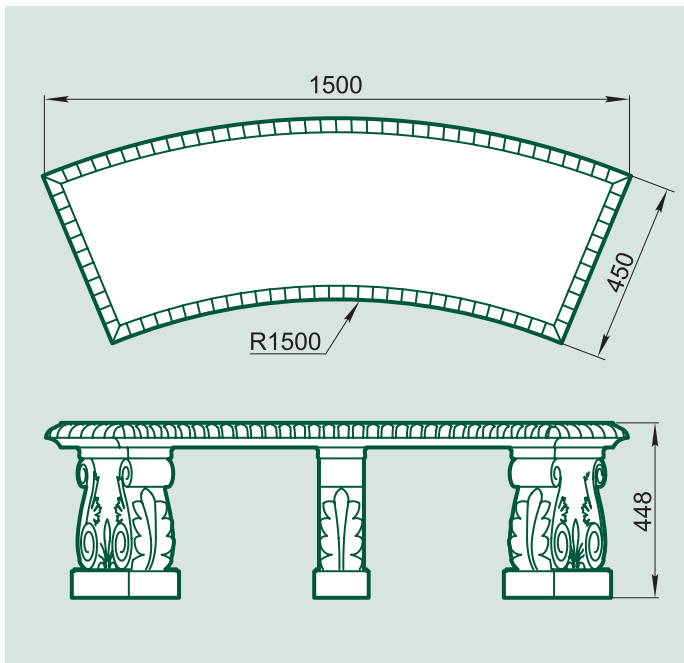
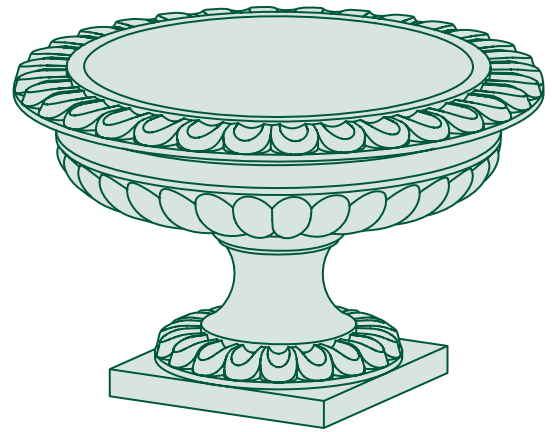


**LV69G**

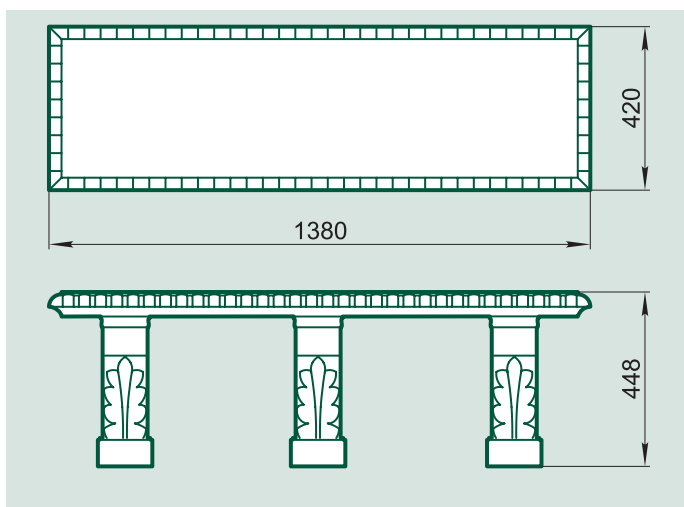
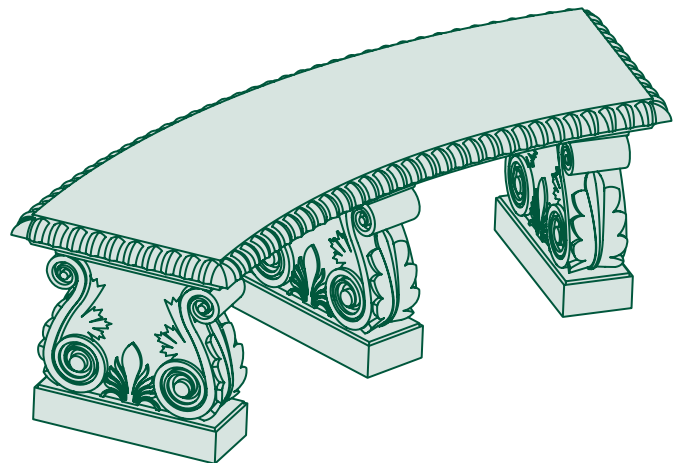




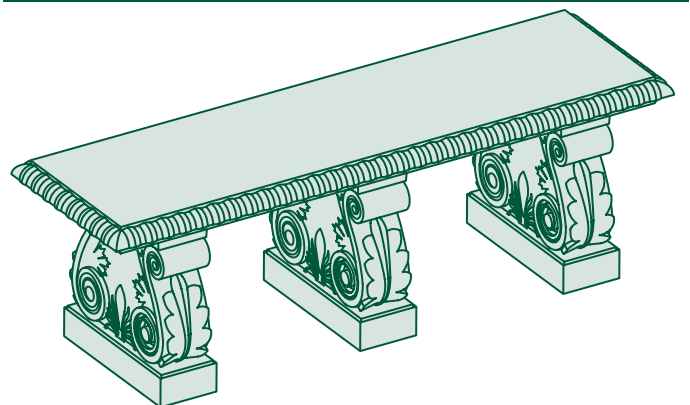
**LV52B**

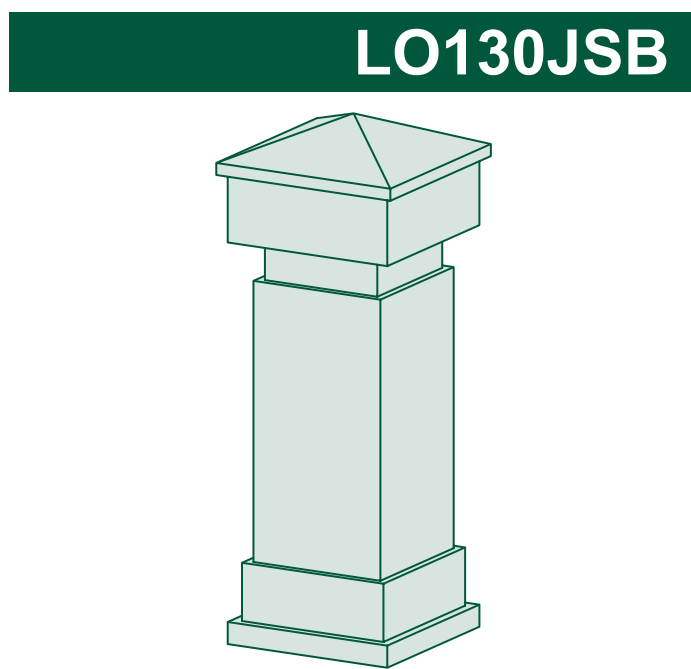
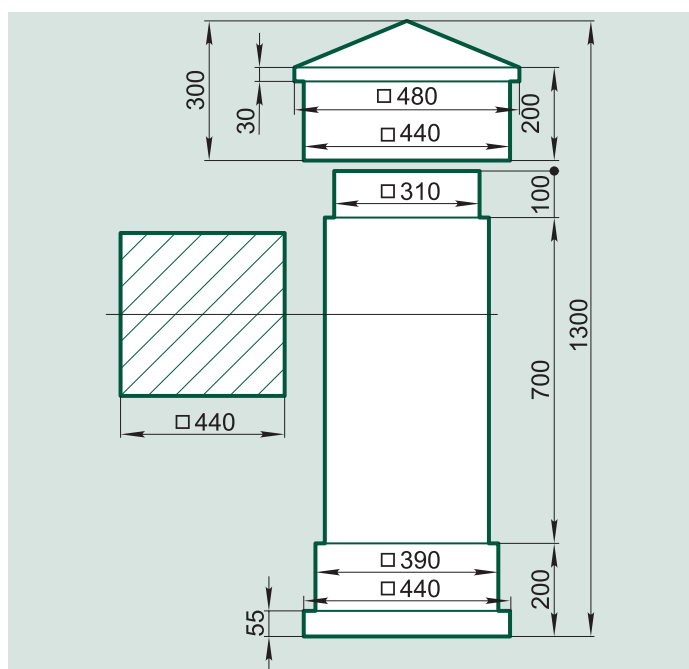
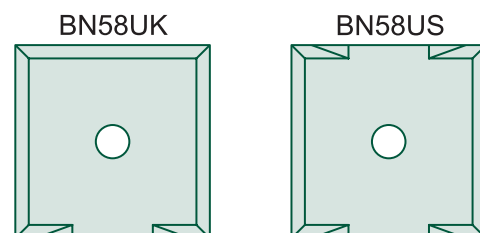
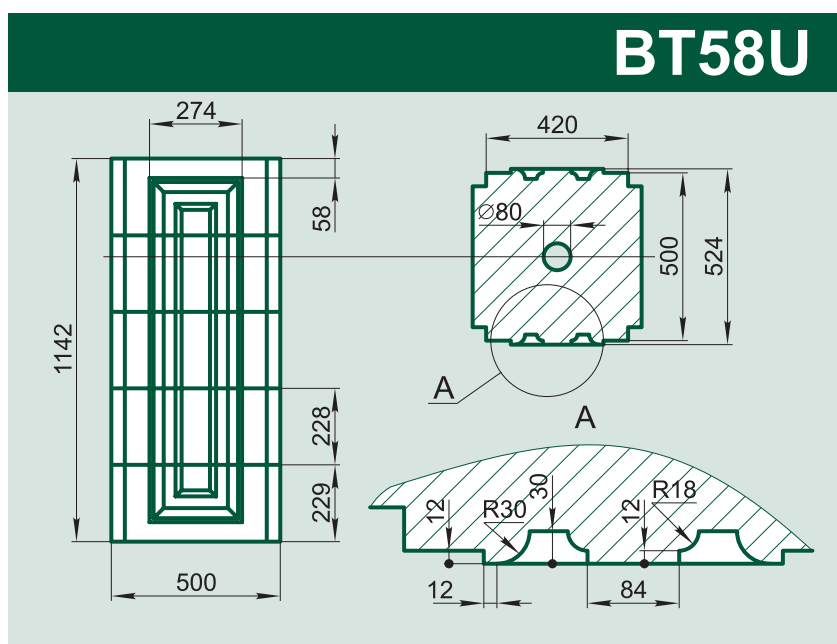
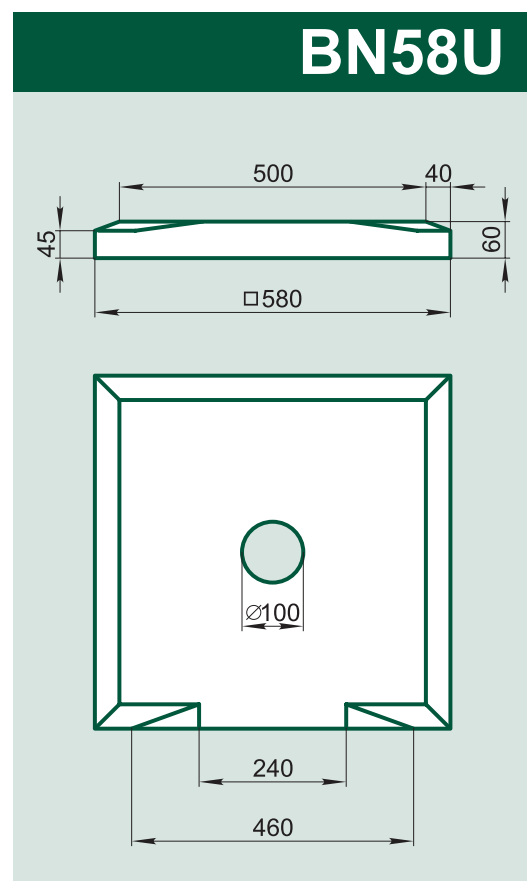
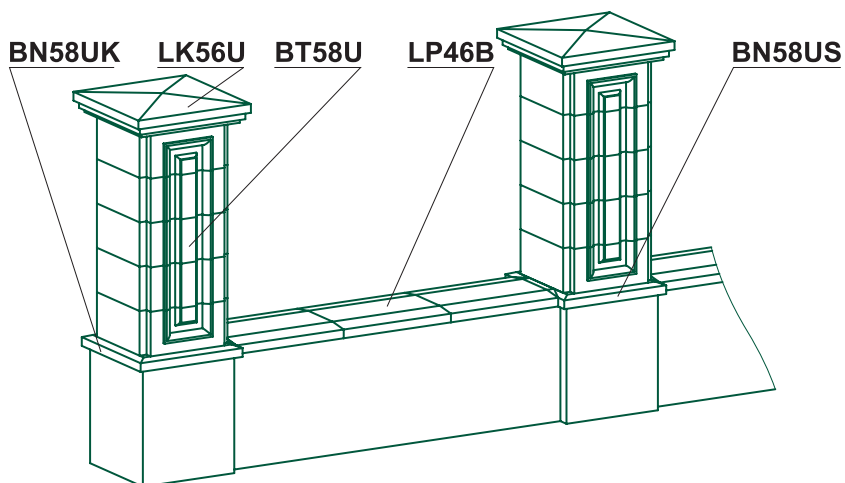


**LS150R**

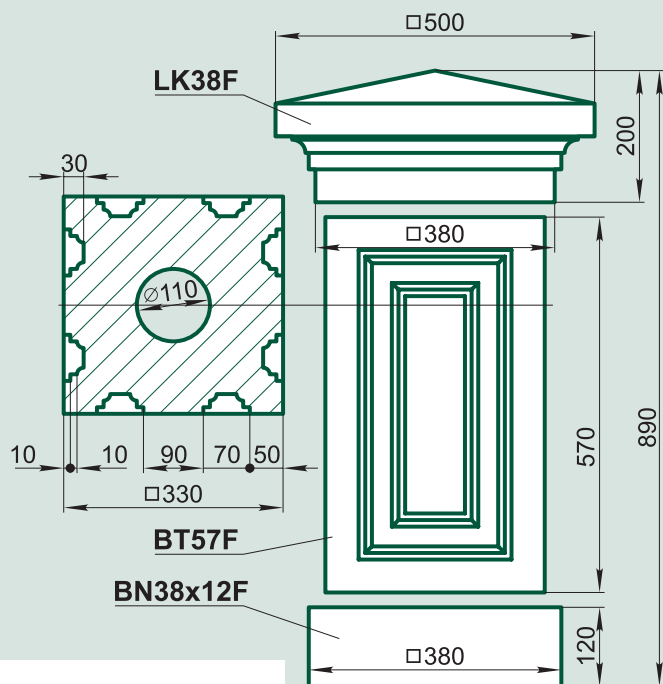


**LS140P**



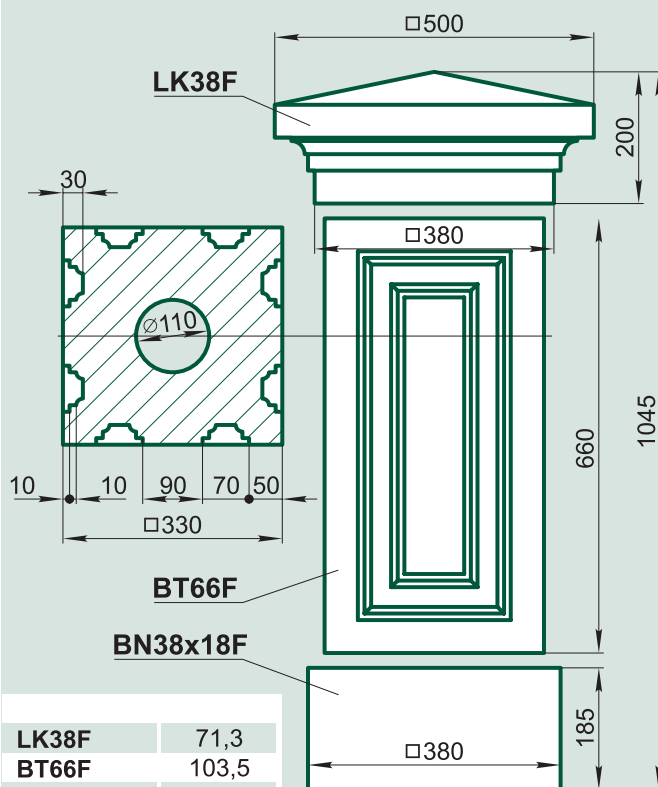


## BT57FSB



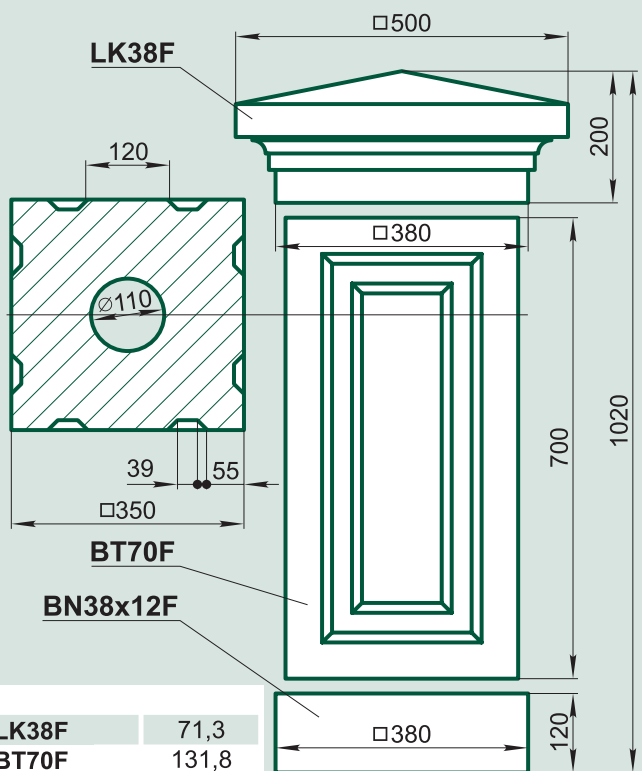
LK38F	71,3
BT57F	109,4
BN38x12F	38,1

## BT66FSB



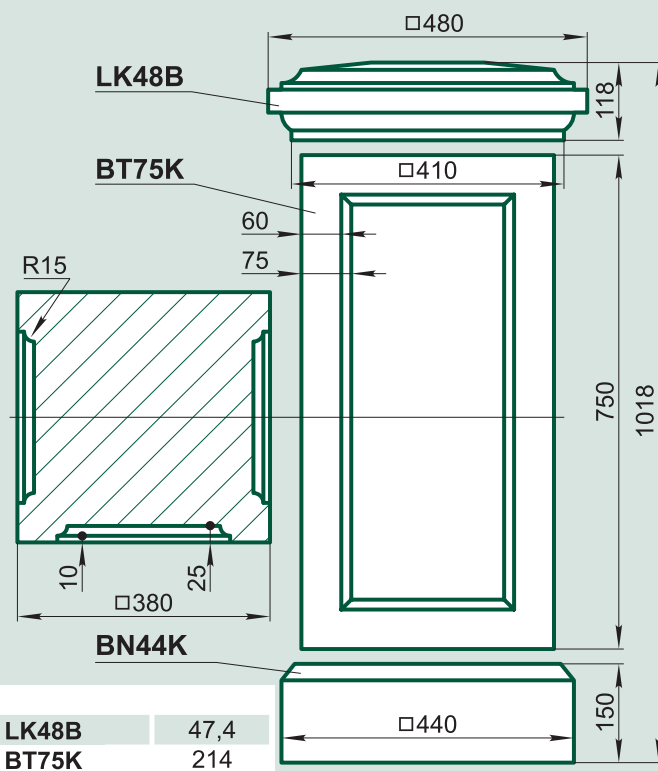
LK38F	71,3
BT66F	103,5
BN38x18F	58,8

## BT70FSB



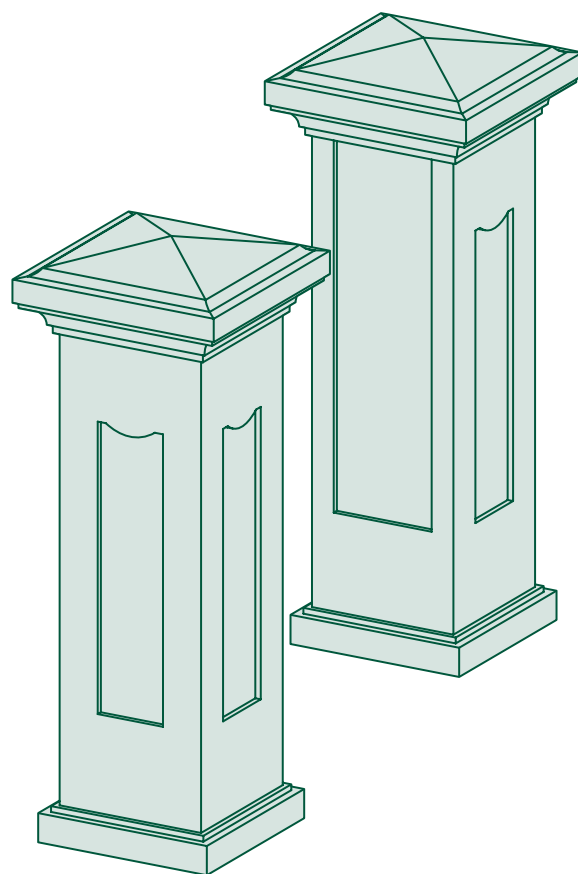
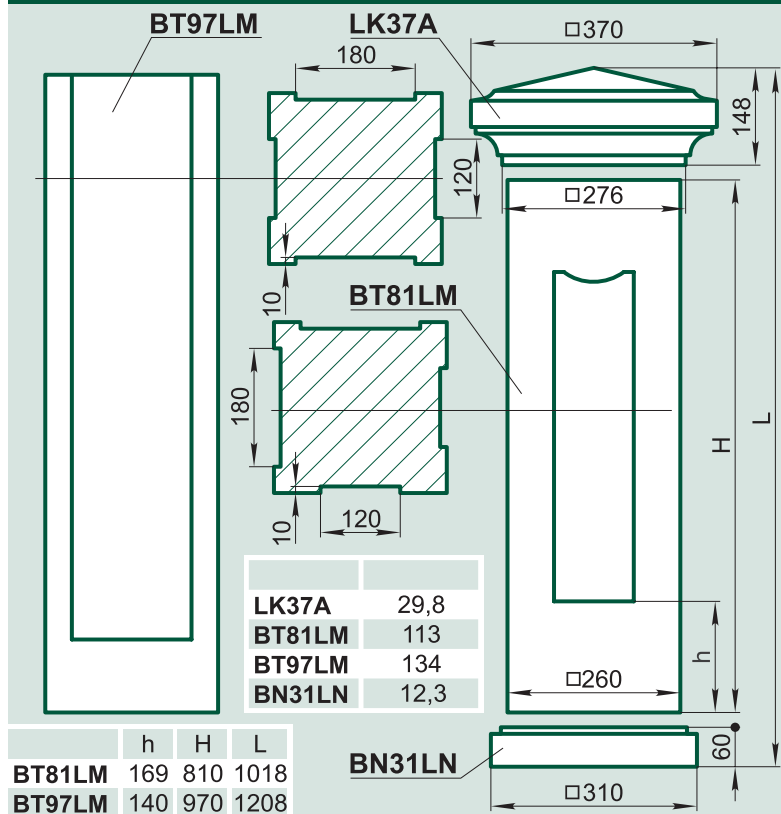
LK38F	71,3
BT70F	131,8
BN38x12F	38,1

## BT75KSB

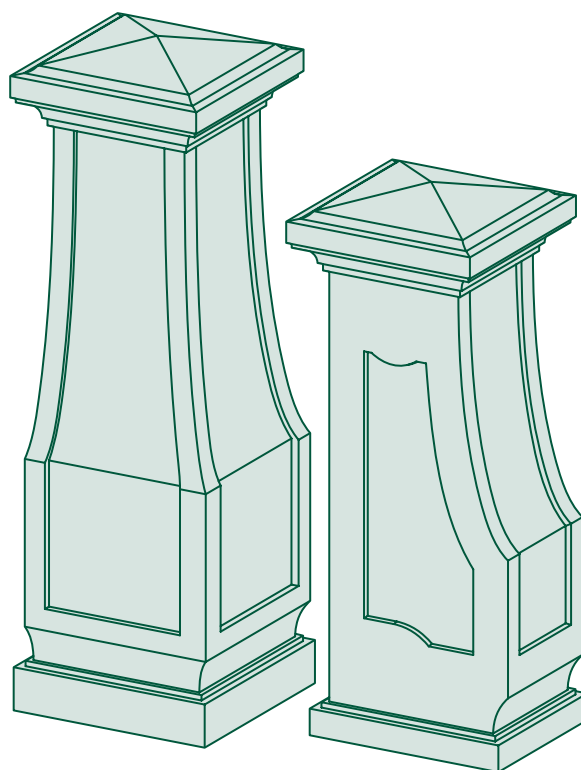
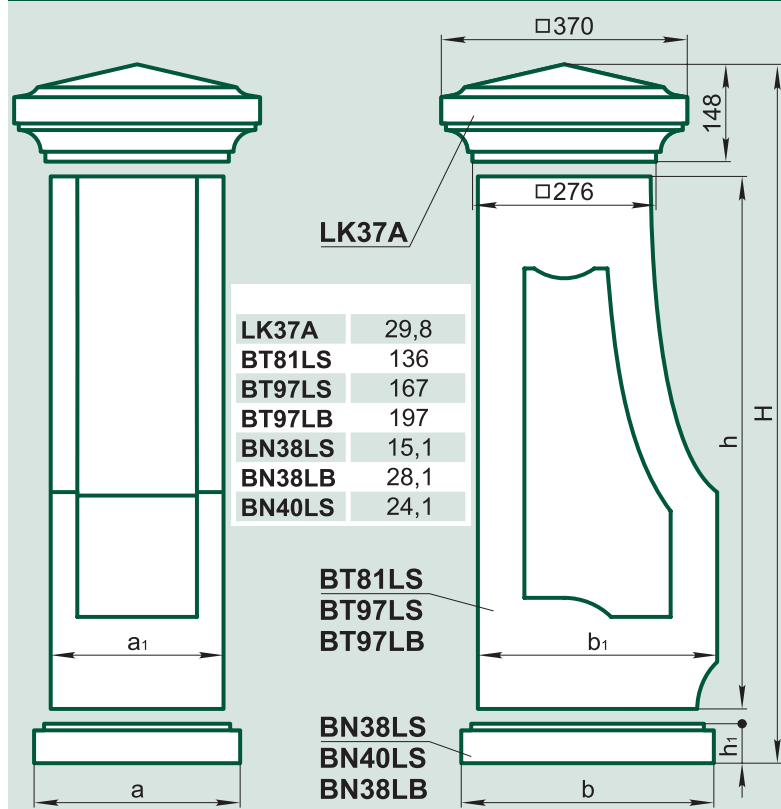


LK48B	47,4
BT75K	214
BN44K	63

# BT81LMSB, BT97LMSB



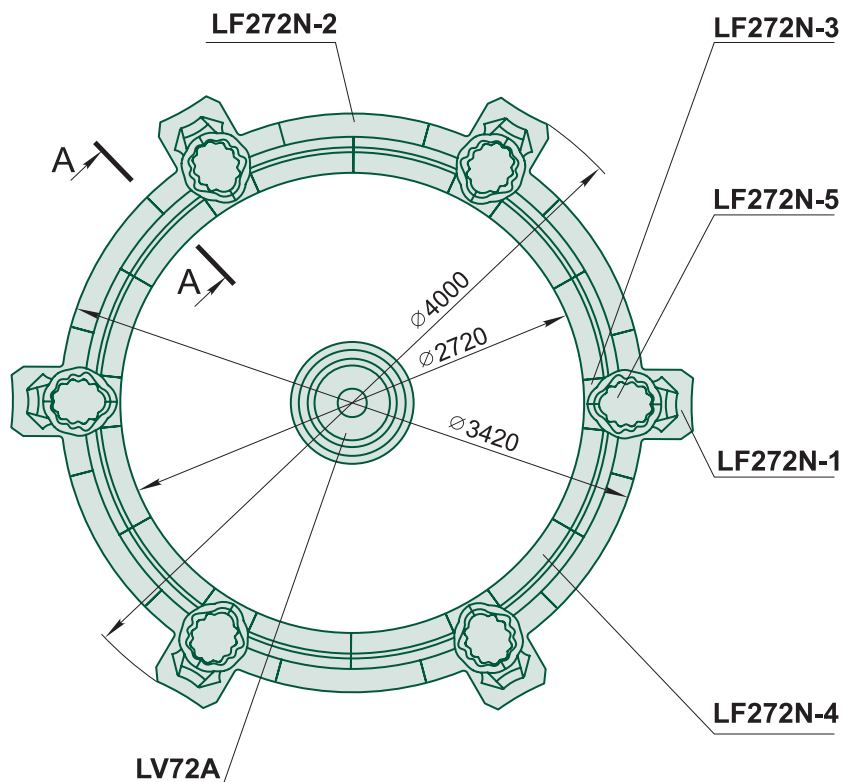
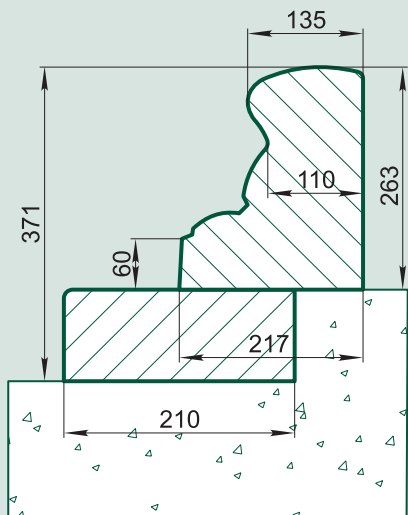
# BTxxLSB, BT97LBSB



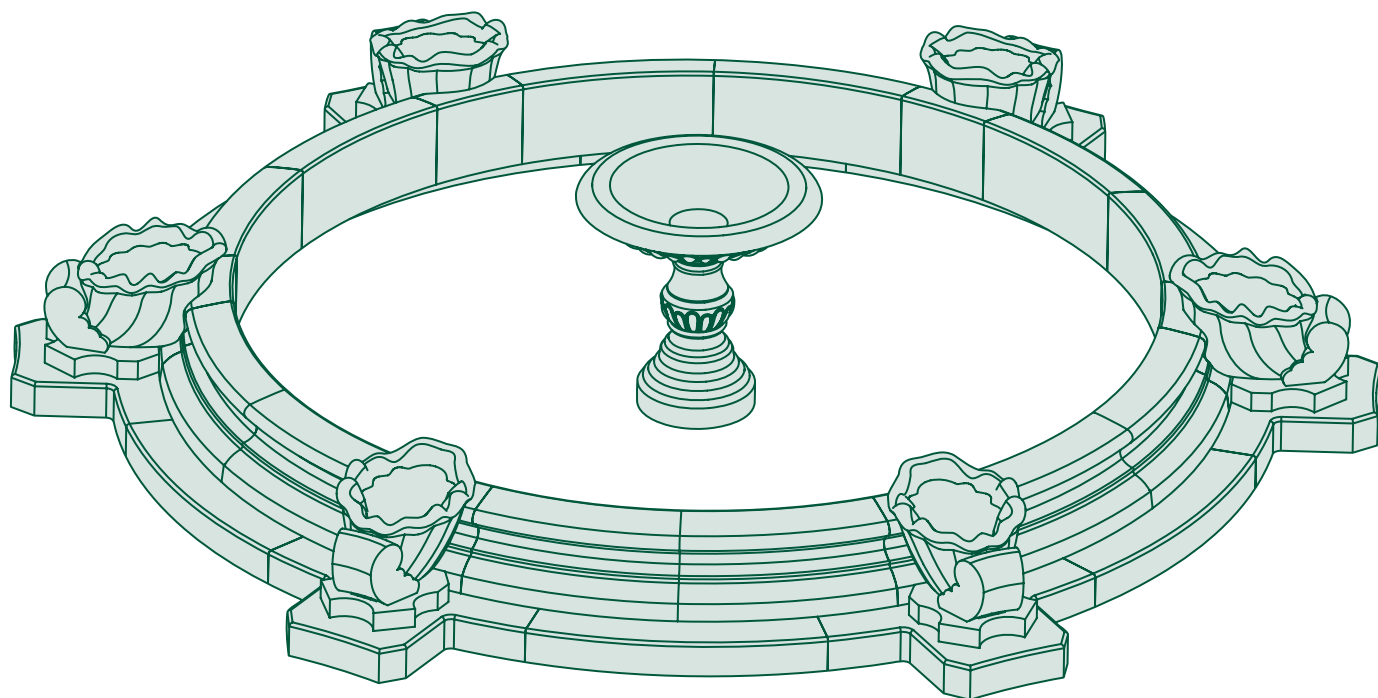
	a	b	a <sub>1</sub>	b <sub>1</sub>	h	H	h <sub>1</sub>
BT81LSB	310	380	260	360	810	1018	60
BT97LSB	310	400	260	380	970	1028	60
BT97LBSB	380	380	360	360	970	1208	90

# LF272N

A-A

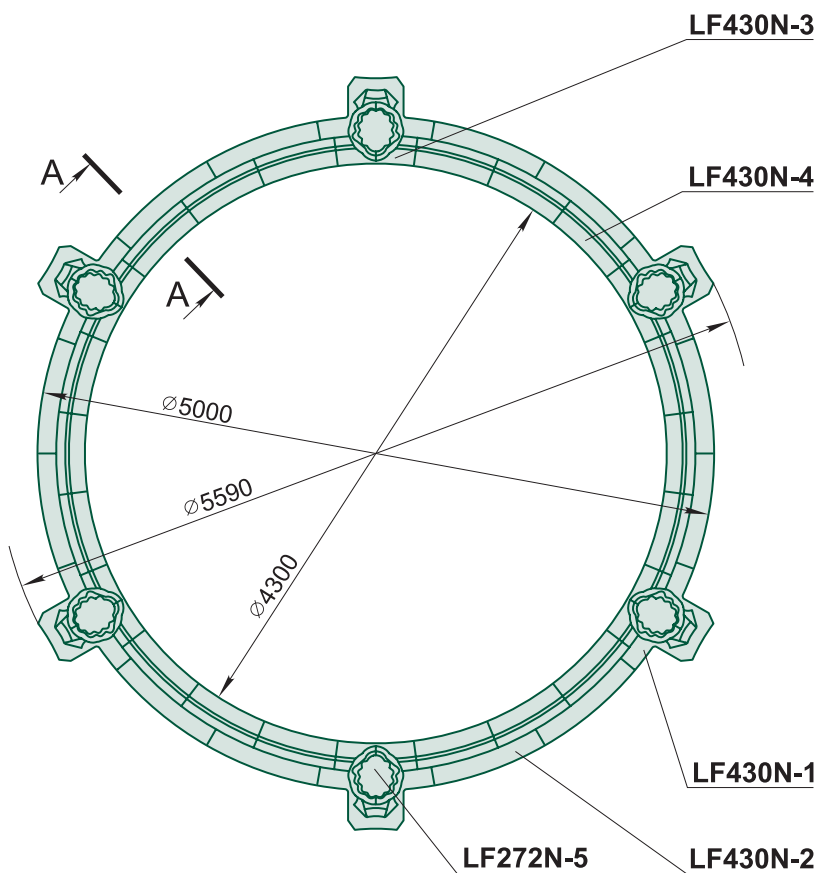
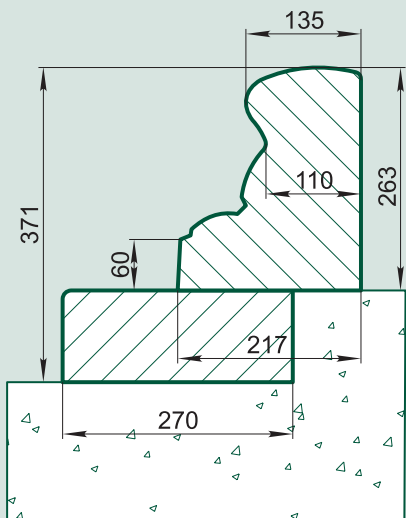


LF272N-1	6	69
LF272N-2	6	69
LF272N-3	6	49
LF272N-4	12	50
LF272N-5	6	53
LV72A	1	100

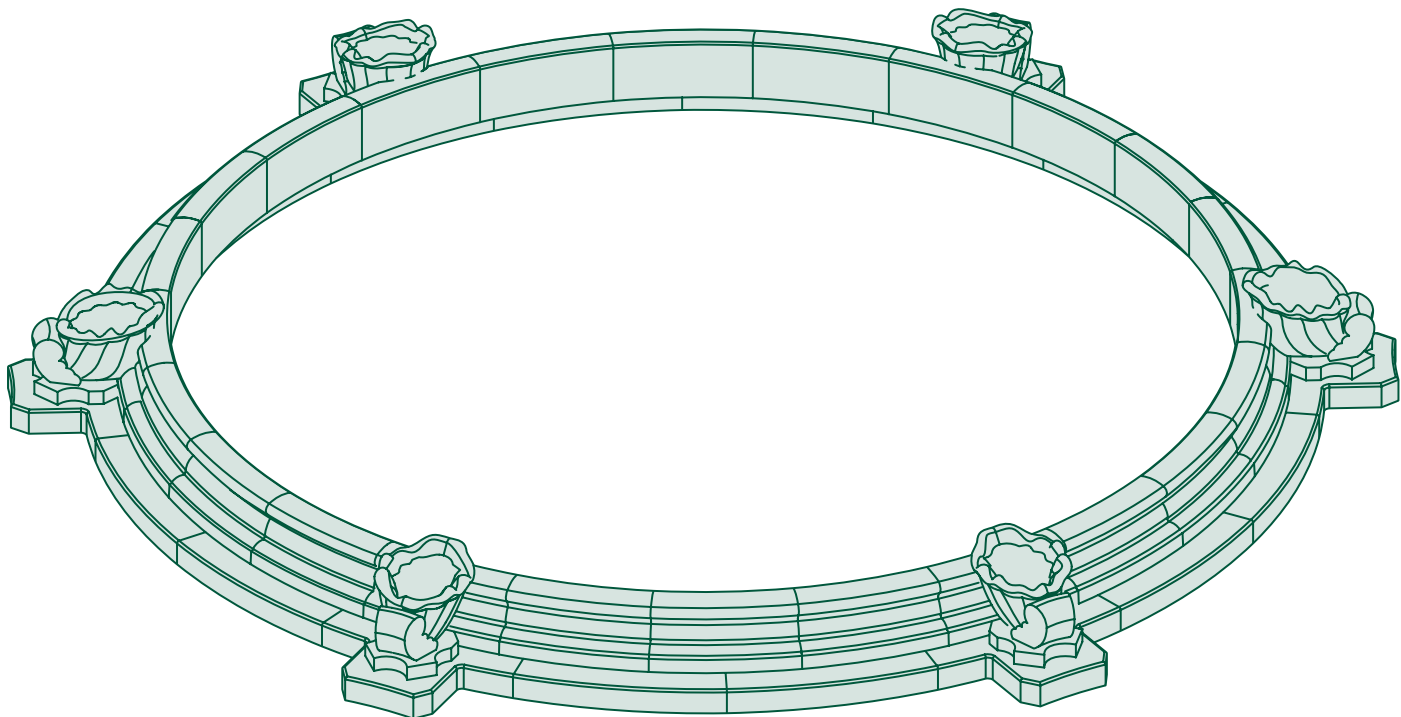


# LF430N

A-A

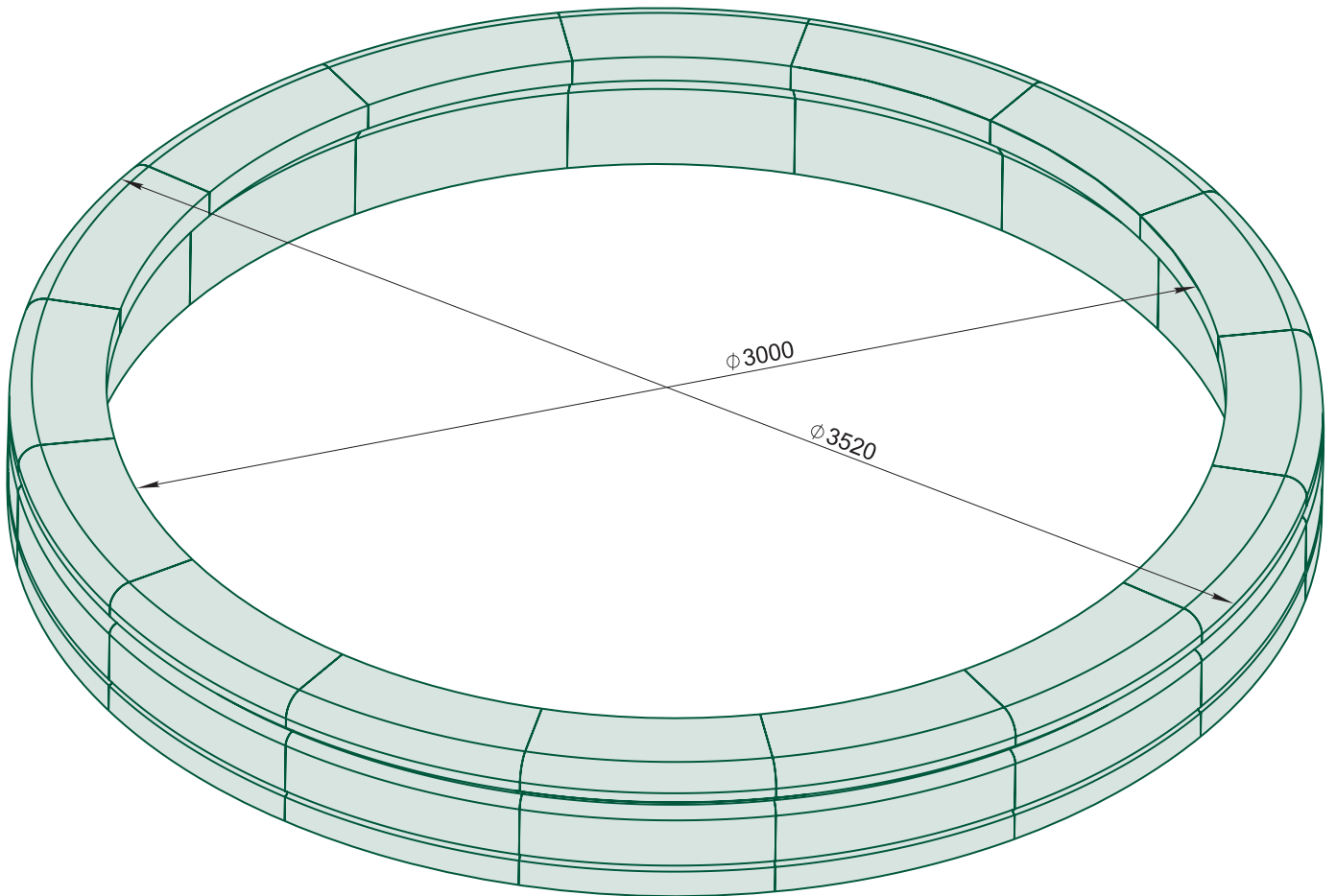
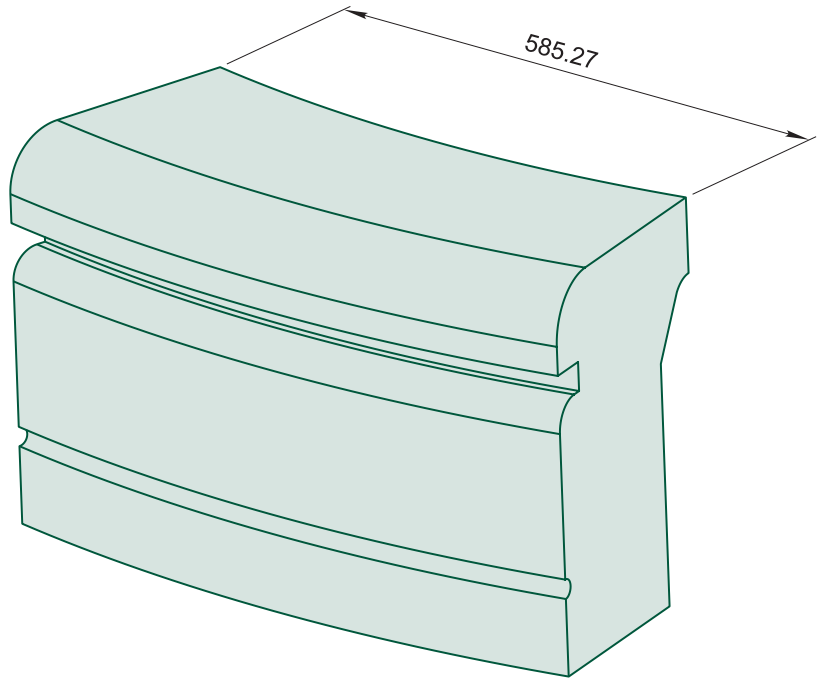
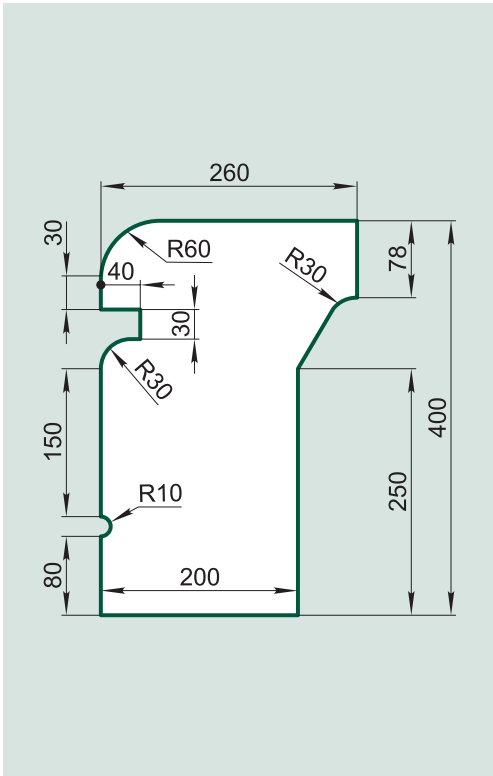


LF430N-1	6	80,3
LF430N-2	12	52,9
LF430N-3	6	49,6
LF430N-4	18	51,7
LF272N-5	6	53

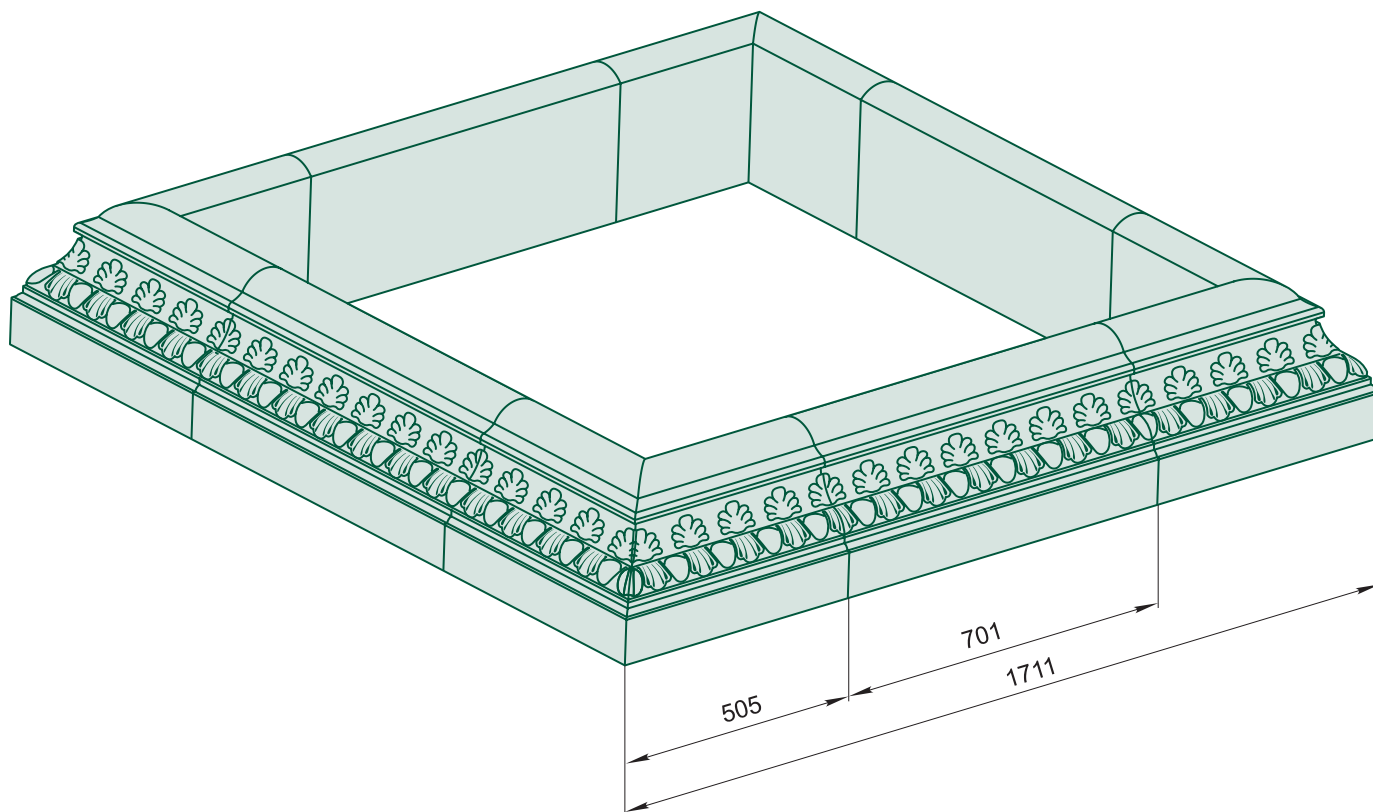
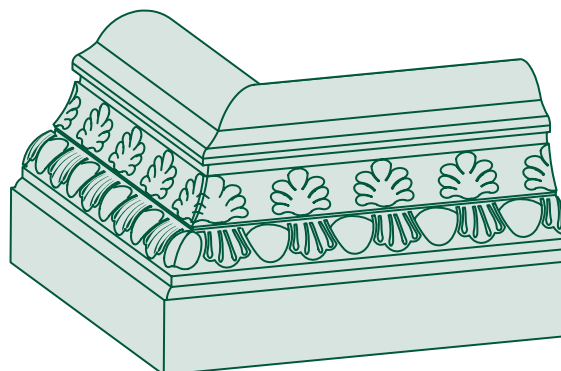
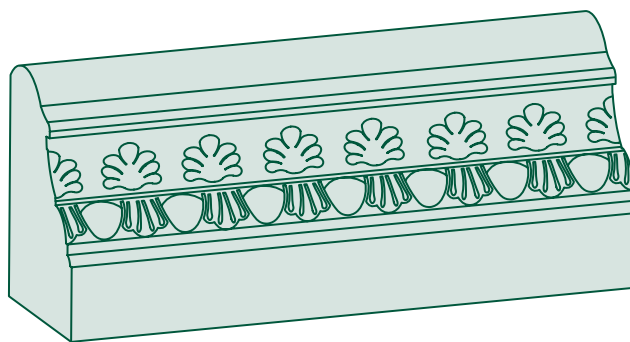
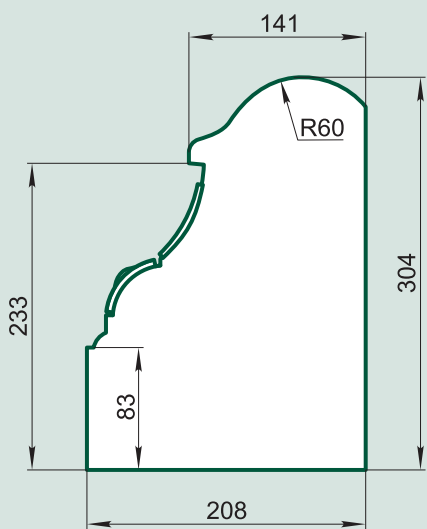




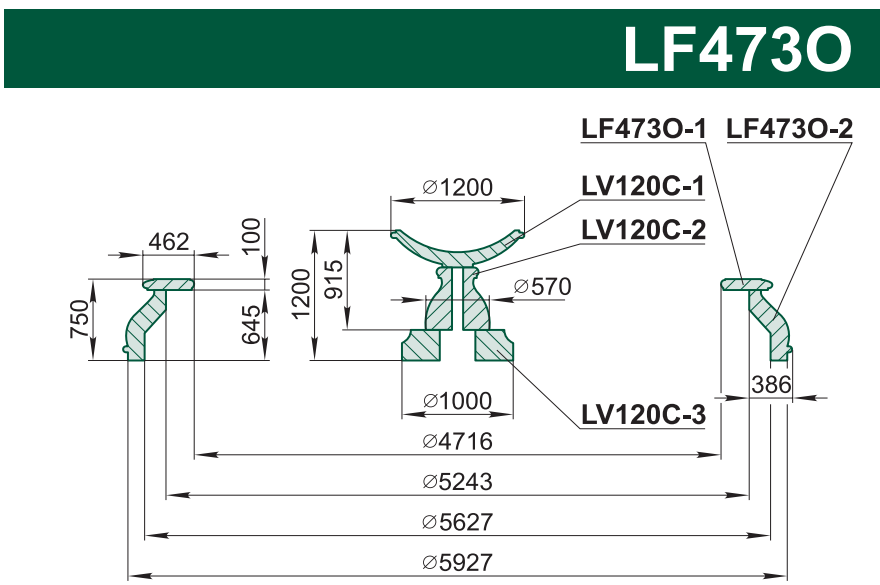
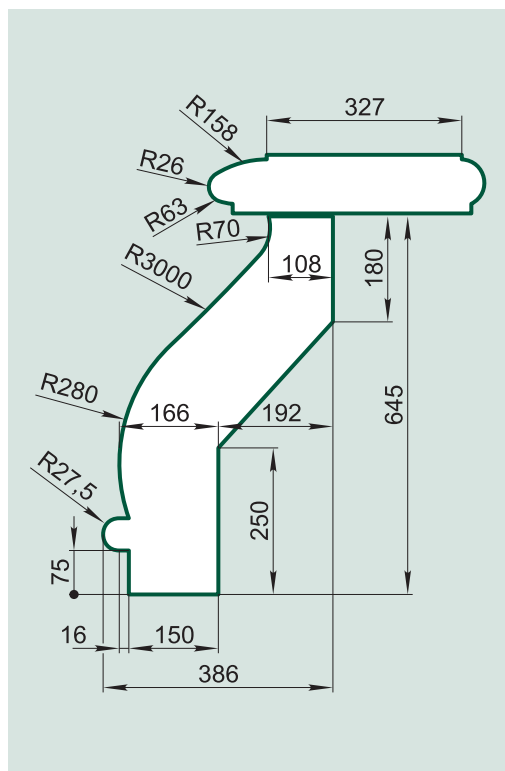
**LF300A**



# LF40K



# LF4730



LF4730-1	36	41,8
LF4730-2	36	123,7
LV120C-1	1	256
LV120C-2	1	196
LV120C-3	2	195

